

**ELECTROMAGNETIC DISTURBANCE TEST REPORT**

**Doc. No. 20010304R/Project No. 605**

**TEST STANDARDS: USA CFR 47 PART 15 REQUIREMENTS**

**RFID GENERAL PURPOSE READER MODEL 655124**  
**FCC ID: DO4GPRO7000**

**DIAMOND CHECKPOINT DEVELOPMENT GROUP**  
**THOROFARE, NEW JERSEY**

**TEST DATE: 10/20/00 TO 12/6/00**

**ISSUE: January 19, 2001**

Prepared by: *Paul Banker*  
Paul Banker  
Technical Staff Engineer

Approved: *Wallace E. Amos*  
Wallace E. Amos  
Group Manager, PCTC/ICC

The results described in this report relate only to the item(s) tested.  
This document shall not be reproduced except in full without written permission of Unisys - PCTC.



**PREFACE**

This report documents product testing conducted to verify compliance of the specified EUT with applicable standards and requirements as identified herein. EUT, test instrument configurations, test procedures and recorded data are generally described in this report. The reader is referred to the applicable test standards for detailed procedures. The following table summarizes the test results obtained during this evaluation.

**SUMMARY**

The Diamond Checkpoint Development Group, Inc., RFID General Purpose Reader Model 655124 was tested to the standards listed below, and found to have the following characteristics:

TEST	STANDARD	REQUIREMENT	RESULT
Radiated Emissions - Intentional Radiator	FCC 15.225, 15.209	13 MHz - 1 GHz	Below Limit
Radiated Emissions Digital Device	FCC Class A	General Requirements 30 MHz - 1 GHz	Below Limit
Conducted Emissions	FCC 15.207	General Requirements 450 kHz to 30 MHz	Below Limit
Frequency Stability	FCC 15.225	±0.01%	Within Tolerance

TABLE OF CONTENTS

1.0	Client Information.....	5
1.1	Requested Service.....	5
1.2	Purpose of Test(s).....	5
2.0	Description of the Equipment Under Test (EUT).....	6
2.1	General Description and Operational Overview .....	7
2.2	Equipment Sample .....	8
2.2.1	Identification.....	8
2.2.2	Condition of Received Sample.....	8
3.0	Applicable Requirements, Methods and Procedures .....	8
3.1	Applicable Requirements.....	8
3.1.1	USA .....	8
3.2	Basic Test Methods and Procedures .....	9
4.0	Deviations or Exclusions from the Requirements and Standards.....	9
5.0	Operation of the EUT during Testing .....	9
5.1	Test Environment.....	9
5.1.1	Climatic Environment .....	9
5.1.2	Electrical Power.....	9
5.1.2.1	Radio Disturbance Measurements.....	9
5.2	Grounding.....	9
5.3	Operating Mode.....	10
5.3.1	Rationale for the Chosen Mode of Operation .....	10
5.4	Test Configuration .....	11
5.4.1	Test Configuration Block Diagram .....	11
5.4.2	EUT Details .....	12
5.4.3	Rationale for the Chosen Test Configuration.....	12
5.5	EUT Classification.....	12
5.6	EUT Modifications .....	13
6.0	Summary of Tests Performed, Procedures and Test Results .....	13
6.1	Radiated Emission Test.....	13
6.1.1	Radiated Emission Test Procedure .....	13
6.1.1.1	Test Facilities.....	13
6.1.1.2	Emissions Test Procedure .....	14
6.1.2	Radiated Emissions Test Results – 30 MHz to 5 GHz (10/20/2000).....	16
	Transmitter fundamental spectral plot .....	18
6.1.3	Radiated Emissions Test Equipment.....	18
6.2	Conducted Emission Test .....	19
6.2.1	Conducted Emission Test Procedure .....	19
6.2.2	Conducted Emissions Test Results 150kHz – 30 MHz (10/30/2000).....	21
6.2.3	Conducted Emissions Test Equipment.....	22
6.3	Frequency Stability Test (11/9/00) .....	22
6.3.1	Frequency Stability Test Procedure .....	22
6.3.2	Frequency Stability Test Results.....	23
6.3.3	Frequency Stability Test Equipment.....	23

### INDEX OF PHOTOGRAPHS

Photo 1 – RFID Tag Pad Reader Model 280116 (Front) .....	6
Photo 2 – RFID Tag Pad Reader Model 280116 (Rear) .....	6
Photo 3 – Radiated Emissions Test Setup – Front View .....	15
Photo 4 – Radiated Emissions Test Setup – Rear View .....	15
Photo 5 – Fundamental Spectral Plot.....	18
Photo 6 – Conducted Emissions Test Setup – Front View .....	20
Photo 7 – Conducted Emissions Test Setup – Front View .....	20

### INDEX OF FIGURES

Figure 1 – Block Diagram, EUT Configuration for EMI Testing.....	11
--	----

### INDEX OF TABLES

Table 1 – List of Cable Interconnections .....	11
Table 2 – Equipment Under Test .....	12
Table 3 – Support Equipment .....	12
Table 4 – Radiated Emissions Data – 1.707 to 30 MHz.....	16
Table 5 – Radiated Emissions Data – 30MHz to 1 GHz -Transmitter Harmonics.....	17
Table 6 – Radiated Emissions Data 30 MHz to 1 GHz – Digital Circuitry .....	17
Table 7 – Radiated Disturbance Test Equipment.....	18
Table 8 – Conducted Emissions, RFID General Purpose Reader Model 655124, Neutral line (120 VAC/60 Hz) .....	21
Table 9 – Conducted Emissions, RFID General Purpose Reader Model 655124, Phase Line (120 Vac/60 Hz) .....	21
Table 10 – Temperature Stability Table.....	23
Table 11 – Frequency Stability Test Equipment.....	23

**1.0 Client Information**

Client Name: Diamond Checkpoint Development Group  
550 Grove Road  
Thorofare, NJ 08086

Coordinator: Anthony Mignogna

PCTC Personnel: Paul Banker, Ray Rashied

**1.1 Requested Service**

- Measurement of radio disturbance characteristics of sample product to FCC Part 15.225 for intentional radiators operating at 13.553 - 13.567 MHz.
- Measurement of radio disturbance characteristics of sample product to FCC Part 15, Class A for unintentional radiators.
- Measurement of frequency stability characteristics of sample product to FCC Part 15.225 for intentional radiators operating at 13.553 - 13.567 MHz.

**1.2 Purpose of Test(s)**

The purpose of testing was to verify compliance of the sample EUT to regulatory and/or qualification requirements adhered to by the client for product sale, distribution and use.

**2.0 Description of the Equipment Under Test (EUT)**



**Photo 1 – RFID General Purpose Reader Model 655124 (Front)**



**Photo 2 – RFID General Purpose Reader Model 655124 (Rear)**

## **2.1 General Description and Operational Overview**

The RFID General Purpose Reader Model 655124 is a Radio Frequency Identification Device. It can be used in conjunction with any computer that has a RS232/RS485/TTL serial port to form a complete data retrieval system.

The Model 655124 may be connected to any antenna that has 50-ohm characteristic impedance. The antenna must be AC coupled. The Q of the antenna can range from 1 to 70. The return loss should be at least 20 dB for remote mounting applications. The manufacturer of this device, Diamond Checkpoint Development Group, is marketing the box containing the transmitter and receiver. The manufacturer will not provide the antenna. The antenna used in this test is a PC board design consisting of a three-spiral loop measuring 3.5" by 4.75" on the inside loop and 8" by 8" on the outside loop.

The Model 655124's function is to "read" MCRF355 passive read-only RFID tags. The MCRF355 provides 154 bits of non-volatile user memory. When the MCRF355 enters the RF field of the Model 655124, it is in a tuned state. The tuned circuit of the tag resonates with the continuous RF field of the 655124 antenna and therefore gathers energy. The tag stores enough energy to keep the tag circuit powered long enough to transmit its 154 bits of data. The tag's data is transmitted in Manchester format at a nominal frequency of 70kHz +/-12kHz.

The tag transmits its data by tuning and de-tuning its resonant circuit. When the RF tag is tuned, it loads (takes energy from) the reader field. The loading of the reader field shows up as small amplitude perturbations of the RF reader's field (backscatter). These perturbations are at 70kHz and so are easily filtered out of the 13.56MHz carrier of the field. The 70kHz base band data is amplified for further processing. The raw Manchester data is decoded by the Model 655124's micro-controller and sent out over its RS-232 or RS-485 serial port.

The Model 655124 connects to a Personal Computer (HOST PC) via its RS-232 or RS-485 serial port. The signal type must be factory set; i.e., the factory default setting is RS-232 but can be changed to RS-485 by appropriate jumper settings. When the RFID tag data is received, the data is sent to the HOST PC according to the formats discussed in the next section.

In addition to receiving data from the Model 655124 via its serial port, the HOST PC can send commands to the Model 655124 in order to configure it.

Commands from the HOST PC must always be sent at 9600 baud in order to avoid conflicts. The Model 655124 can be commanded by the HOST PC to transmit data at one of four baud rates: 9600 b/s, 19.2k b/s, 28.8 kb/s and 38.4 kb/s.

## **2.2 Equipment Sample**

### **2.2.1 Identification**

Description:	Performa Network RFID General Purpose Reader Model 655124
Serial Number:	Prototype
Received by PCTC:	October 20, 2000
Sample Type:	Pre-production

### **2.2.2 Condition of Received Sample**

The RFID General Purpose Reader Model 655124 was conducted to verify test subject identity and condition and to ensure suitability for testing. No evidence of physical damages was noticed. The test item condition was deemed acceptable for the performance of the requested test services.

## **3.0 Applicable Requirements, Methods and Procedures**

### **3.1 Applicable Requirements**

The results of the measurement of the radio disturbance characteristics of the EUT described herein may be applied, and where appropriate provide a presumption of compliance to one or more of the following requirements or to other requirement at the discretion of the client, regulatory agencies, or other entities.

#### **3.1.1 USA**

- 47 CFR, part 15, Subpart B, "Unintentional Radiators, General Rules and Regulations".
- 47 CFR, part 15, Subpart C, "Intentional Radiators".



### **3.2 Basic Test Methods and Procedures**

The applicable regulatory product family or generic standards require that radio disturbance/interference tests be performed in accordance with the following:

- C63.4, 1992 “Methods of Measurement of Radio-Noise Emissions from Low-Voltage Electrical and Electronic Equipment in the Range of 9 kHz to 40 GHz”.

### **4.0 Deviations or Exclusions from the Requirements and Standards**

There were no deviations or exclusions from the requirements.

### **5.0 Operation of the EUT during Testing**

#### **5.1 Test Environment**

##### **5.1.1 Climatic Environment**

The following were the ambient conditions in the laboratory during testing:

Temperature:	22° C ± 5° C
Relative Humidity	50% ± 10% RH

##### **5.1.2 Electrical Power**

The EUT was operated at electrical power voltage and frequencies sufficient to ensure that the measured results were representative of operation of the EUT in the power environments in which it would be installed, as specified by the client.

###### **5.1.2.1 Radio Disturbance Measurements**

Radiated and conducted disturbance measurements were performed with the RFID General Purpose Reader Model 655124 operating at 120 Vac/60Hz.

#### **5.2 Grounding**

Earth grounding of the EUT was accomplished through the RS232 I/O cable shield.

### **5.3        Operating Mode**

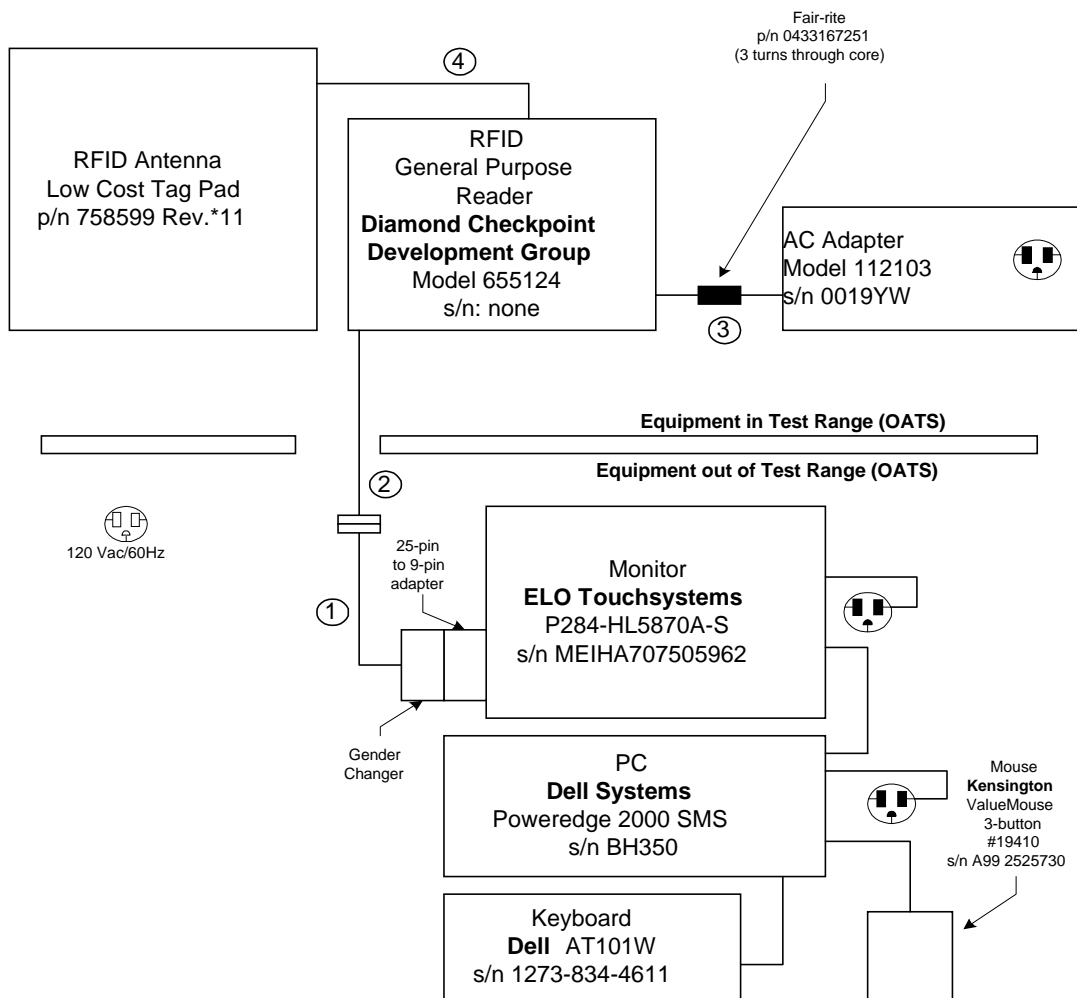
During testing, the General Purpose Reader was continuously transmitting and monitoring for the presence of an ID tag. A tag was placed in the vicinity of the General Purpose Reader such that it would continuously detect and transmit data.

#### **5.3.1      Rationale for the Chosen Mode of Operation**

The presence of an ID tag, constantly being read and verified, exhibits the full functionality of the RFID General Purpose Reader Model 655124 as would exist in a customer installation.

**5.4 Test Configuration**

**5.4.1 Test Configuration Block Diagram**



**Figure 1 – Block Diagram, EUT Configuration for EMI Testing**

**Table 1 – List of Cable Interconnections**

#	Description	Manufacturer	Part Number	Length	Shielding
1	RS232 Cable	Belken	F2L088-06	6'	Foil
2	RS232 Extension	Unisys	2820468-38	25'	Braid
3	DC Power cable	Diamond Checkpoint	Unknown	6'	None
4	Antenna Cable	Diamond Checkpoint	Unknown	10"	BNC

**5.4.2 EUT Details**

**Table 2 – Equipment Under Test**

<b>Item Description</b>	<b>Manufacturer</b>	<b>Model Number</b>	<b>Serial Number</b>
RFID General Purpose Reader	Diamond Checkpoint	655124	-
AC Adapter	Diamond Checkpoint	112103	0019YW

**Table 3 – Support Equipment**

<b>Item Description</b>	<b>Manufacturer</b>	<b>Model Number</b>	<b>Serial Number</b>
Personal Computer	Dell Systems	Poweredge 2000 SMS	BH350
Monitor	ELO Touchsystems	P284-HL5870A-S	MEIHA707505962
Keyboard	Dell Systems	AT101W	1273-834-4611
Mouse	Kensington	ValueMouse 3-button	A99 2525730
Gender Changer	Belken	F4A251	-
25-pin to 9-pin adapter	Roline	-	-

**5.4.3 Rationale for the Chosen Test Configuration**

The configuration of the RFID General Purpose Reader Model 655124 was chosen to demonstrate the emission characteristics of both the RS232 interface and the Ethernet interface. Both I/O ports were exercised during testing. The AC Adapter used is the model sold with the RFID General Purpose Reader Model 655124. The antenna connected to the transmitter/receiver is a PCB from the RFID Tag Pad Reader. It is the intent of the manufacturer not to sell an antenna with the unit but allow a potential customer to design and test an antenna. The antenna used in this test is not to be marketed with the RFID General Purpose Reader Model 655124.

The orientation of the antenna, in a vertical plane, was chosen because the highest emissions were measured in this configuration.

**5.5 EUT Classification**

The test item has been defined an intentional radiator operating in the band 13.553 MHz to 13.567 MHz. For this reason the emissions testing was carried out in accordance with the requirements of FCC 15.225. In addition, the test item contains digital control and signal processing circuitry. Signals identified as related to the digital circuitry were compared to the FCC Class A limits for digital devices.

## **5.6 EUT Modifications**

A block of ferrite was attached to the DC power cable, from the AC Adapter. The ferrite block has a part number of 0433167251 and is manufactured by Fair-Rite. The DC wire, from the AC Adapter, was passed through the core of the block three times and was attached four inches from the General Purpose Reader's, DC connector.

## **6.0 Summary of Tests Performed, Procedures and Test Results**

### **6.1 Radiated Emission Test**

#### **6.1.1 Radiated Emission Test Procedure**

##### **6.1.1.1 Test Facilities**

The test site is an all-weather, open-field measurement facility defined by an elliptical area of 3258 square meters, which is free of reflective metallic objects and extraneous electromagnetic signals. A non-metallic A-Frame enclosure covers 172 square meters of the ellipse. This enclosure contains a ground level 5-meter diameter turntable, capable of rotating equipment through a complete 360 degrees, and a 3-meter and 10 meter test range with remotely controlled antennae masts. The floor of the A-Frame and surface of the turntable are covered with a flat metal continuous ground plane. The ground plane extends outside the A-Frame to a distance of 35.6 meters from the center of the turntable. The width of the extension is 2.4 meters.

The ground plane is partially covered with protective insulating material. A cellar located beneath the ground level of the A-Frame structure houses personnel and instrumentation for remote control of the antennae, the turntable, and other equipment above ground level. Reference the attached drawing for a view of the test facility. The test site complies with the Attenuation Measurements specified in ANSI C63.4 - 1992, and is registered with FCC, and accredited by AALA, VCCI, BSMI, and NEMKO.

For electric field radiated emissions, the EUT and support peripherals or devices required to facilitate EUT operation were positioned either directly on the turntable surface or on a wooden table 80 cm. in height, depending on the size of the sample. Hardware not needed in the test field such as remote terminals or non standard exercisers, were placed in the basement below the turntable

**6.1.1.2 Emissions Test Procedure****9kHz to 30 MHz**

Testing below 30 MHz was performed with the test item configured on the test site as above. An H-field measuring antenna was placed at a distance of 30 meters from the test item. The height of the antenna is 1 meter above the ground plane. The test item was rotated 360° in order to obtain a maximum indication on the measuring receiver. This was repeated for each of the three polarization of the antenna. In some cases the measuring antenna was taken off the ground plane and placed in the adjacent grass area. The position of the antenna relative to the ground plane was noted in the reported data.

**30 MHz to 1000 MHz**

Initial measurements, for the purpose of identifying suspect emissions from the equipment under test, were performed by dividing the test frequency range into the following twenty bands:

1)	30 - 40 MHz	8)	108 - 148 MHz	15)	570 - 670 MHz
2)	40 - 50 MHz	9)	148 - 165 MHz	16)	670 - 770 MHz
3)	50 - 88 MHz	10)	165 - 200 MHz	17)	770 - 855 MHz
4)	88 - 93 MHz	11)	200 - 300 MHz	18)	855 - 875 MHz
5)	93 - 98 MHz	12)	300 - 450 MHz	19)	875 - 892 MHz
6)	98 - 103 MHz	13)	450 - 470 MHz	20)	892 - 1000 MHz
7)	103 - 108 MHz	14)	470 - 570 MHz		

Each of these bands was monitored on a spectrum analyzer display while the turntable was initially positioned at the reference 0-degree point. A mast mounted broadband antenna was located at a distance of 10 meters from the periphery of the EUT(s). The antenna was set to 1-meter height, for the vertical polarity and 2.5 meters height, for horizontal polarity for these suspect emission scans. All emissions with amplitudes 8 dB or less below the appropriate regulatory limit were identified and saved for later source identification and investigation. This initial suspect identification procedure was repeated for turntable positions of 90, 180 and 270 degrees.

The source of questionable emissions was verified by powering off the EUT(s). Those emissions remaining were removed from the suspect list. Valid suspect emissions were then maximized through cable manipulation. The highest six signals or all within 4 dB of the limit, identified during this initial investigation, were then maximized by rotating the turntable through a complete 360 degrees of azimuth and raising the antenna from 1 to 4 meters of elevation. When the EUT(s) azimuth, antenna height and polarization that produced the maximum indication were found, the emission amplitude and frequency were re-measured to obtain maximum peak and quasi-peak field strength. The frequencies and amplitudes of RFI emissions are recorded in this report in units derived as follows:

Field Strength (dBuV/m) = Meter reading (dBuV)+ Antenna factor (dB/m)+ Cable Loss (dB)



**Photo 3 – Radiated Emissions Test Setup – Front View**



**Photo 4 – Radiated Emissions Test Setup – Rear View**

**6.1.2 Radiated Emissions Test Results – 30 MHz to 5 GHz (10/20/2000)**

**Transmitter related signals 13 - 30 MHz - FCC 15.225, 15.209**

The table below shows the detected field strengths as measured from the test sample(s) over the frequency range from 13 MHz to 30 MHz. The emissions were measured at a distance of 10 meters and compared to the maximum permissible FCC limit at extrapolated (using limit -  $20\log(10/30) = \text{limit} + 9.5 \text{ dB}$ ) to 10 meters for signals and harmonics of an intentional radiator. Notes: Signals were measured with antenna on ground plane. Preliminary testing showed the field strength decreased more than 20 dB/decade. Thus the 20-dB/decade correction used during final testing was judged to be acceptable.

**Table 4 – Radiated Emissions Data – 1.707 to 30 MHz**

Freq [MHz]	Height, Pol [cm H/V]	Angle [Deg]	Quasi Peak Voltage [dBuV]	Corr' Factor [dB/m ]	Field Strength [dBuV/m]	FCC Class B Limit @ 10m [dBuV/m]	Delta Limit [dB]	Result
13.56	100 V	279	60.5 (PK)	-1.2	59.3	89.5	-29.0	Below 15.225 limit
27.12	100 V	279	20.2 (QP)	1.7	21.9	39.0	-17.1	Below 15.209 limit

- Overall Result: All measured transmitter related radiated emissions below 30 MHz from the RFID General Purpose Reader Model 655124 are below the FCC limits by a margin of 17.1 dB.



**Transmitter related signals 30 to 1000 MHz - FCC 15.209**

Transmitter related radiated emission signals were measured at a distance of 3 meters from the test sample(s) over the frequency range from 30 MHz to 1000 MHz. The levels were then compared to the maximum permissible FCC limit at 3 meters for spurious signals and harmonics of an intentional radiator. Transmitter harmonics from the RFID General Purpose Reader Model 655124 are below the FCC 15.209 general radiation limits by a margin of 13 dB.

**Table 5 – Radiated Emissions Data – 30MHz to 1 GHz -Transmitter Harmonics**

Freq [MHz]	Height, Pol [cm H/V]	Angle [Deg]	Quasi Peak Voltage [dBuV]	Corr' Factor [dB/m]	Field Strength [dBuV/m]	FCC Class B Limit @ 3m [dBuV/m]	Delta Limit [dB]	Result
40.645	101, V	124	14.5	11.8	26.3	40.0	-13.7	Below limit
67.801	103, V	152	7.9	10.9	18.8	40.0	-21.2	Below limit
176.321	103, V	244	3.7	11.8	15.5	43.5	-28.0	Below limit
189.860	149, H	043	12.2	12.9	25.1	43.5	-18.4	Below limit
203.397	128, H	034	12.3	13.0	25.3	43.5	-18.2	Below limit
216.968	131, H	038	14.0	11.7	25.7	46.0	-20.3	Below limit

- Overall Results: The RFID General Purpose Reader Model 655124 complied with the requirements of 47 CFR Part 15B for Class B equipment by a margin of at least 13.7 dB.

**Digital circuitry related signals 30 to 1000 MHz - FCC 15.109b**

The table below shows the detected field strengths as measured from the test sample(s) over the frequency range from 30 MHz to 1000 MHz, at a distance of 10 meters compared to the maximum permissible FCC Class A limit.

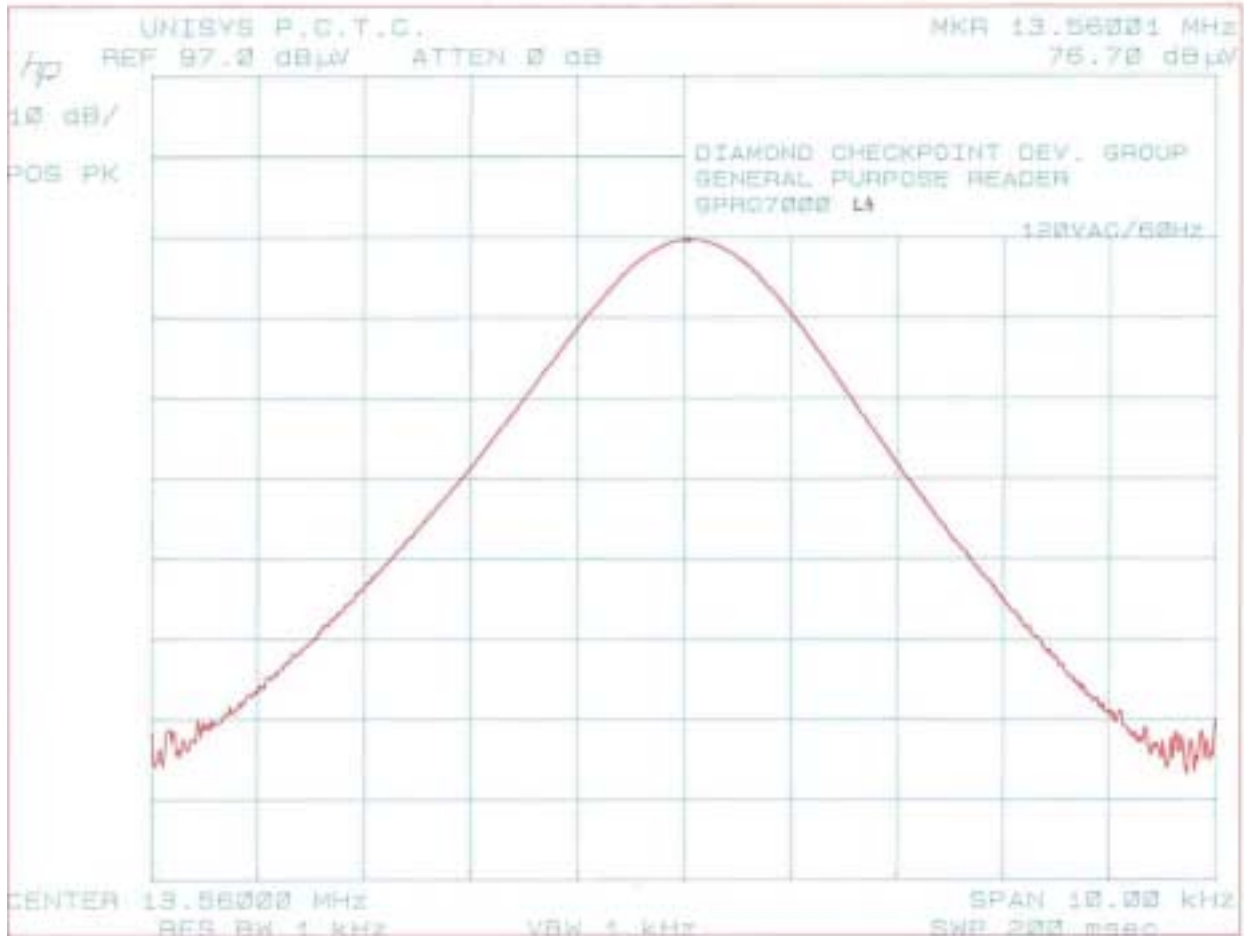
**Table 6 – Radiated Emissions Data 30 MHz to 1 GHz – Digital Circuitry**

Freq [MHz]	Height, Pol [cm H/V]	Angle [Deg]	Quasi Peak Voltage [dBuV]	Corr' Factor [dB/m]	Field Strength [dBuV/m]	FCC Class A Limit @ 10m [dBuV/m]	Delta Limit [dB]	Result
33.911	100, V	000	1.0	18.2	19.2	39.08	-19.9	Below limit
79.391	100, V	000	5.4	10.9	16.3	39.08	-22.8	Below limit
134.996	100, V	000	-1.7	12.5	10.8	43.52	-32.7	Below limit
238.006	100, V	000	-0.6	14.7	14.1	46.44	-32.3	Below limit
479.997	100, V	000	-1.3	20.8	19.5	46.44	-26.9	Below limit
682.694	100, V	000	-0.4	24.5	24.1	46.44	-22.3	Below limit

- Overall Results: The RFID General Purpose Reader Model 655124 did not produce any measurable interference related to digital circuitry at a distance of 10 meters. Therefore, noise floor readings were measured.

**Transmitter fundamental spectral plot**

This picture is the fundamental frequency of 13.56 MHz displayed on a spectrum analyzer using a resolution bandwidth of 1 kHz.



**Photo 5 – Fundamental Spectral Plot**

**6.1.3 Radiated Emissions Test Equipment**

**Table 7 – Radiated Disturbance Test Equipment**

<u>Equipment</u>	<u>Model</u>	<u>Manufacturer</u>	<u>ID No.</u>	<u>Last Cal Date</u>
QuasiPeak Adapter (10 kHz – 1 GHz)	85650A	Hewlett Packard	U182	3/3/00

Spectrum Analyzer Display	85662A	Hewlett Packard	U181	3/2/00
Spectrum Analyzer (10 kHz - 1.5 GHz)	8568B	Hewlett Packard	X718	3/2/00
RF Receiver	ESV	Polorad	U965	8/3/00
Magnetic Field Antenna (300 Hz to 100 MHz)	BBH 500/B	Antenna Research Associates	V640	11/05/99
Bi-Log Antenna (25 MHz to 1000 MHz)	LFB-2520	ARA	B-962	6/23/99 (extended to 12/23/00)

**6.2 Conducted Emission Test**

**6.2.1 Conducted Emission Test Procedure**

Peak amplitude terminal voltage emissions at the power line input to the EUT(s) were measured with a spectrum analyzer, using a peak detector and the appropriate CISPR bandwidth, connected to the RF output of a 50 Ohm, 50 micro-henry Line Impedance Stabilization Network (LISN) installed in each power line. Measurements were made over the frequency range from 150 kHz to 30 MHz while the EUT(s) was operating as described in paragraph 5.3.

The significant amplitudes of emissions measured on the AC power lines of the EUT(s) are recorded in this report in units derived as follows:

$$\text{Peak Emission (dBuV PK)} = \text{Meter reading (dBuV)} + \text{LISN factor (dB)} + \text{Limiter Loss (dB)}$$

Note: For speed and convenience, a spectrum analyzer employing a peak detector was used as the measuring receiver to sweep through and record the spectrum. As a tool to judge compliance of the emissions, the peak detector sweep is displayed and graphed against the appropriate average limit. This type of measurement is valid given that the peak reading will always be greater than or equal to the average or quasi-peak reading. Peak emissions recorded with the spectrum analyzer that exceed the average limit, or are found to be within 1 dB of the average limit are re-measured using a manually tuned receiver with the detector function first set to quasi-peak and then to average. These measurements are recorded and presented in the Section 6.2.2 of this report.



**Photo 6 – Conducted Emissions Test Setup – Front View**



**Photo 7 – Conducted Emissions Test Setup – Front View**

**6.2.2 Conducted Emissions Test Results 150kHz – 30 MHz (10/30/2000)**

The conducted emissions recorded on the AC power cord of the RFID General Purpose Reader Model 655124, displayed against the limits for FCC Class B devices are presented as below. The quasi-peak detector reading exceeded the average detector reading for each frequency by more than 6 dB. Therefore according to 47 CFR Part 15.207 (d), the quasi-peak reading is reduced by 13 dB.

**Table 8 – Conducted Emissions, RFID General Purpose Reader Model 655124, Neutral line (120 VAC/60 Hz)**

Frequency (MHz)	Quasi-peak Emission Amplitude (dBuV)	Correction Factor (dB)	Corrected Level (dBuV)	Broadband Adjustment -13 dB	FCC Class B Limit (dBuV)	QP Limit Margin (dB)
.46118	32.73	10.453	43.183	30.18	47.96	-17.78
.48373	32.38	10.440	42.820	29.82	47.96	-18.14
.50963	31.76	10.424	42.184	29.18	47.96	-18.78
.53749	30.93	10.408	41.338	28.34	47.96	-19.62
.56227	29.93	10.390	40.320	27.32	47.96	-20.64
2.10304	16.77	10.171	26.941	26.94*	47.96	-47.96

\*Signal is narrow band, adjustment not allowed

**Table 9 – Conducted Emissions, RFID General Purpose Reader Model 655124, Phase Line (120 Vac/60 Hz)**

Frequency (MHz)	Quasi-Peak Emission Amplitude (dBuV)	Correction Factor (dB)	Corrected Level (dBuV)	Broadband Adjustment -13 dB	FCC Class B Limit (dBuV)	QP Limit Margin (dB)
.46653	29.04	10.447	39.487	26.49	47.96	-21.47
.52947	30.21	10.402	40.612	27.61	47.96	-20.35
.54307	30.62	10.394	41.014	28.01	47.96	-19.95
.57654	31.19	10.374	41.564	28.56	47.96	-19.40
.61085	30.55	10.349	40.899	27.90	47.96	-20.06
.63643	29.25	10.324	39.574	26.57	47.96	-21.39

- Overall Results: All conducted emissions measured on the input AC power lines of the RFID General Purpose Reader Model 655124, are below the FCC Class B limit by a margin of 17.78 dB.

**6.2.3 Conducted Emissions Test Equipment**

The following equipment was used during conducted disturbance testing of the EUT.

<b><u>Equipment</u></b>	<b><u>Model</u></b>	<b><u>Manufacturer</u></b>	<b><u>ID No.</u></b>	<b><u>Last Cal Date</u></b>
QuasiPeak Adapter (10 KHz – 1 GHz)	85650A	Hewlett Packard	X717	3/2/00
Spectrum Analyzer Display	85662A	Hewlett Packard	U181	3/2/00
Spectrum Analyzer (10 kHz - 1.5 GHz)	8568B	Hewlett Packard	X718	3/2/00
LISN	8121	Schwarzbeck	U774	2/2/00

**6.3 Frequency Stability Test (11/9/00)****6.3.1 Frequency Stability Test Procedure**

The test sample was placed in an environmental chamber at 20°C and allowed to stabilize (minimum 30-minute soak). The nominal operating frequency was measured at this time with a small loop probe connected to a spectrum analyzer.

The test sample was then powered off and allowed to stabilize. With the AC input voltage at 115% of nominal, the test sample was powered on and operating frequency measurements were made at 0, 2, 5 and 10 minutes after power on. This procedure was repeated for all required

**6.3.2 Frequency Stability Test Results**

The following table shows the frequency deviation measured on a sample of the transmitter board compared to FCC 15.225 limits of .01% with respect to temperature and input AC voltage.

**Table 10 – Temperature Stability Table**

Condition	Time[min]	Frequency[Hz]	% Deviation from nominal	Result
20°C/122VAC (Nominal)	N/A	13560002	N/A	N/A
20°C/138 VAC (115% Nom AC)	0	13560002	<<0.01%	Below limit
	2	13560001	<<0.01%	Below limit
	5	13560002	<<0.01%	Below limit
20°C/102 VAC (85% Nom AC)	10	13560003	<<0.01%	Below limit
	0	13560002	<<0.01%	Below limit
	2	13560003	<<0.01%	Below limit
50°C/122 VAC (High Temp)	5	13560004	<<0.01%	Below limit
	10	13560005	<<0.01%	Below limit
	0	13560003	<<0.01%	Below limit
-20°C/122 VAC (Low Temp)	2	13560003	<<0.01%	Below limit
	5	13559998	<<0.01%	Below limit
	10	13559992	<<0.01%	Below limit
	0	13560003	<<0.01%	Below limit
	2	13560000	<<0.01%	Below limit
	5	13555994	<<0.01%	Below limit
	10	13559995	<<0.01%	Below limit

- Overall Results: The RFID General Purpose Reader Model 655124 complied with the requirements of FCC 15.225 for frequency stability by a worst case deviation of 11 Hz or  $100 \times 11 / 13560002 = 0.8112E-4 \%$ .

**6.3.3 Frequency Stability Test Equipment**

**Table 11 – Frequency Stability Test Equipment**

<u>Equipment</u>	<u>Model</u>	<u>Manufacturer</u>	<u>ID No.</u>	<u>Last Cal Date</u>
Temperature/Humidity	SM32C	Thermotron	V733	6/21/00

## Chamber

Spectrum Analyzer Display	85662A	Hewlett Packard	Y0314	3/3/00
Spectrum Analyzer (100 Hz - 22 GHz)	8566B	Hewlett Packard	Y0313	3/3/00
Multimeter	8021	Fluke	X743	10/21/00
Variable Transformer	136-2	Powerstat	W582	N/R