

4

3

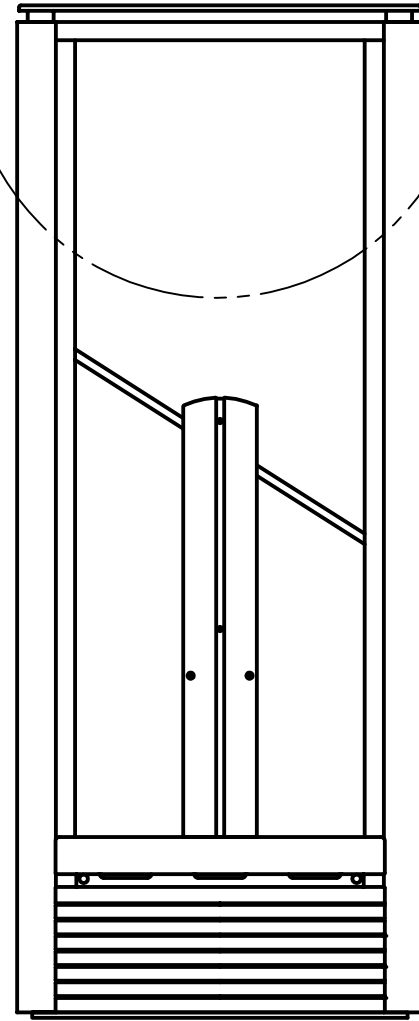
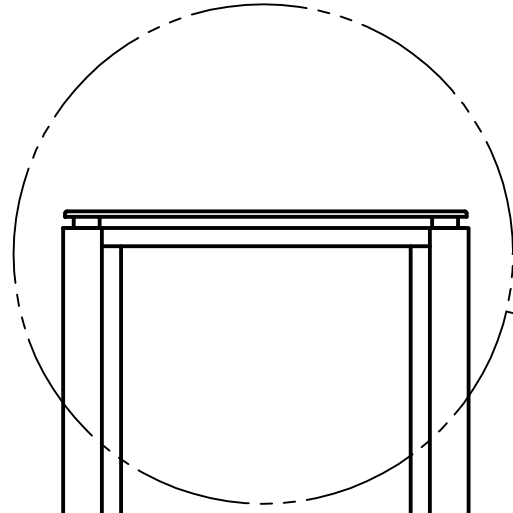
2

1

REVISIONS			
LEVEL	DESCRIPTION	DATE	ENGINEER

D

D



FRONT VIEW

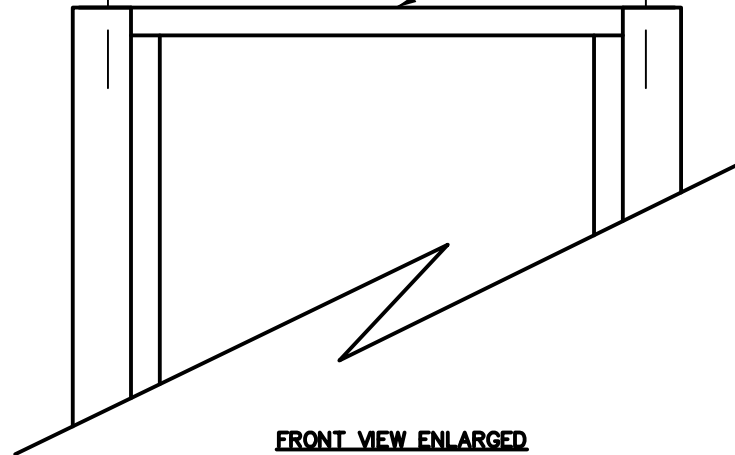


FRONT VIEW OF LIGHT BAR



TOP VIEW WITH LIGHT BAR REMOVED

AGENCY/PATENT LABEL LOCATION



FRONT VIEW ENLARGED
N.T.S

C

C

B

B

A

A

NOTICE TO PERSONS RECEIVING THIS DRAWING AND/OR TECHNICAL INFORMATION:

Checkpoint Systems claims proprietary rights to the material disclosed herein. This drawing and/or technical information is issued in confidence for engineering information only and may not be reproduced or used to manufacture anything shown or referred to herein without direct written permission from Checkpoint Systems to the user. This drawing and/or technical information is the property of Checkpoint Systems and is loaned for mutual assistance, to be returned when its purpose has been served.

THIS DRAWING AND/OR TECHNICAL INFORMATION IS THE PROPERTY OF CHECKPOINT SYSTEMS, INC.

NO DEVIATION OF THIS DRAWING WILL BE ACCEPTED UNLESS APPROVED BY CHECKPOINT SYSTEMS ENGINEERING DEPARTMENT.

NEXT ASSY	USED ON	
APPLICATION		

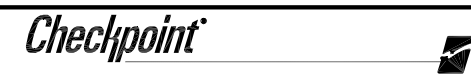
UNLESS OTHERWISE SPECIFIED TOLERANCES ON:

.XXX N/A .XX N/A
 FRACTIONS N/A ANGLES N/A
 FLATNESS WITHIN N/A
 BREAK ALL CORNERS AND EDGES,
 REMOVE BURRS .015 MAX.
 ALL DIMENSIONS ARE INCHES UNLESS NOTED

MATERIAL
 FINISH

© CHECKPOINT SYSTEMS, INC. 2004

DRAWN	DATE
J. MANDERBAUGH	02/06/95
CHECKED	DATE
MECHANICAL ENGINEER	DATE
ELECTRICAL ENGINEER	DATE
PROJECT MANAGER	DATE



LABEL LOCATION
CONDOR PLUS

SIZE
C

Condorpluslabloc

SCALE: 1/8

SHEET 1 OF 1

4

3

2

1