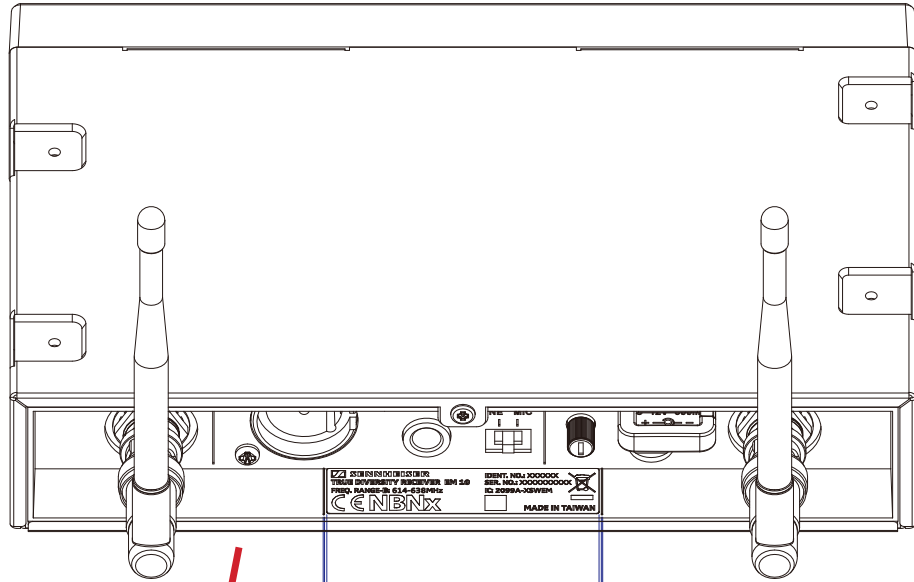
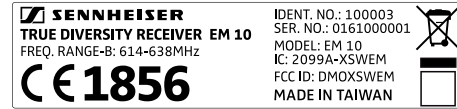
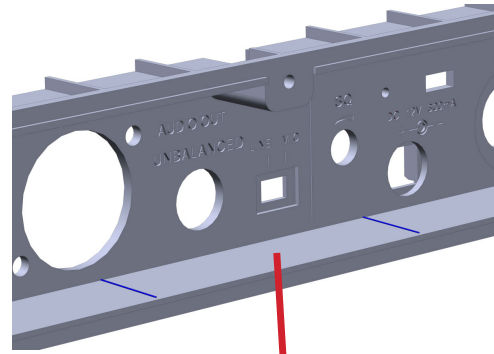


A4



Label on the bottom



This device complies with Part 15 of the FCC Rules. Operation is subject to the following two conditions: (1) this device may not cause harmful interference, and (2) this device must accept any interference received, including interference that may cause undesired operation.

RoHS

				2011	DATE 日期	NAME 姓名	MODE NO. 機型	EM10	SCALE 1:1	
				DRAW 繪圖	09.07	鄭雅萍	PARTS NO. 料號			
				CHECK 審核			DWG NO. 圖號			
				APPROVE 確認	09.07		PARTS NAME 材料名稱	SE RX標 籤位置說明	UNIT mm	
02				MATERIAL 材質						
01										
VERS. 版本	REVISION RE CORD 修訂重點	DATE 日期	BY 修訂者	TREAT 處理		TOLERANCE 一般公差	0-10 ±0.1	100-250 ±0.3	10-100 ±0.2	250以上 ±0.5