



TeamConnect Bar

Model: TC Bar S | TC Bar M

Quick Guide
Kurzanleitung
Guide de démarrage rapide
Guida rapida
Instrucciones resumidas
Beknopte gebruiksaanwijzing
Krótka instrukcja obsługi
Snabbguide

Kort vejledning
Pikaohje
Σύνοψη οδηγίας
Kısa Kılavuz
Краткая инструкция
快速指南
快速使用指南
クイックガイド
요약 안내서

SENNHEISER

Online Manual



or online at
www.sennheiser.com/download

TC Bar _

Sennheiser Documentation App



Available on the
Google play

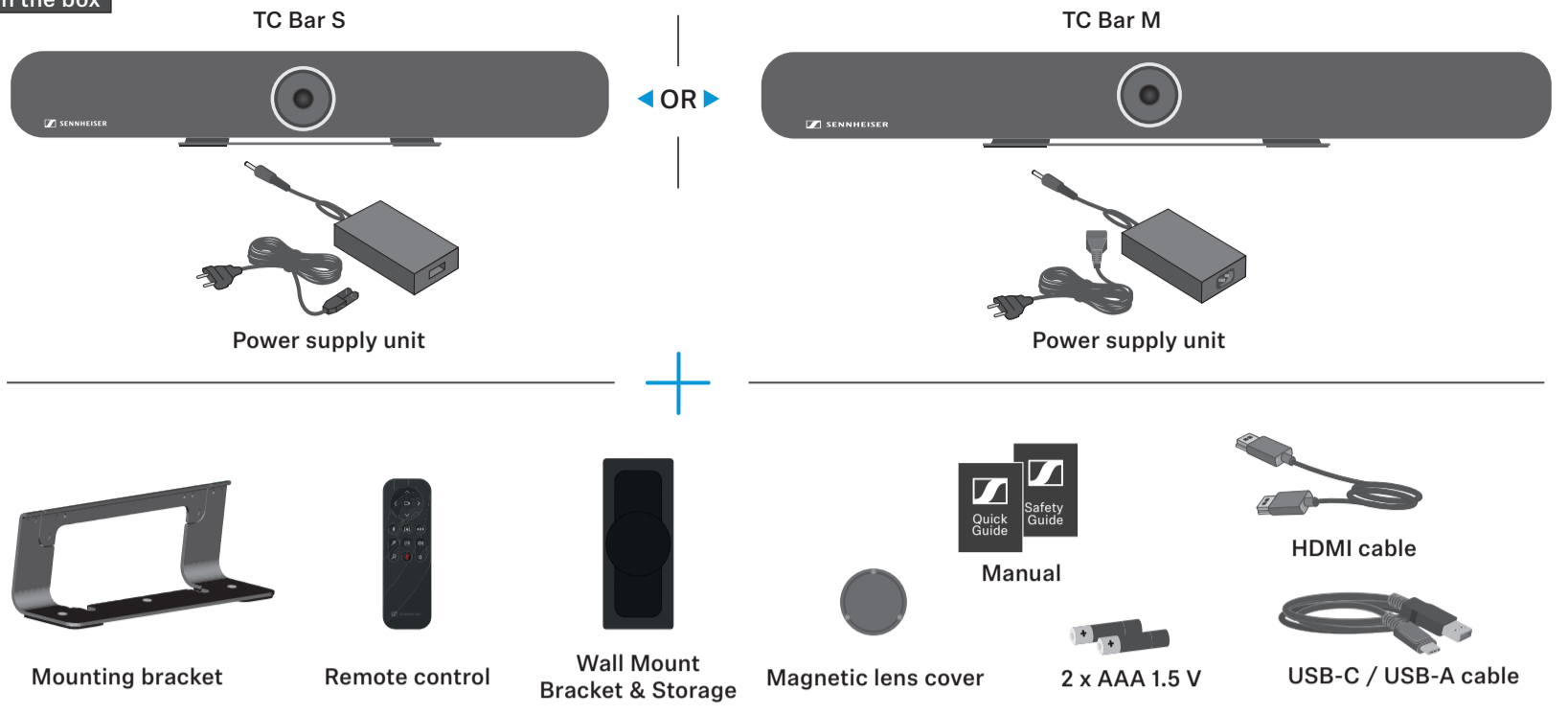
Available on the
App Store

Sennheiser electronic GmbH & Co. KG

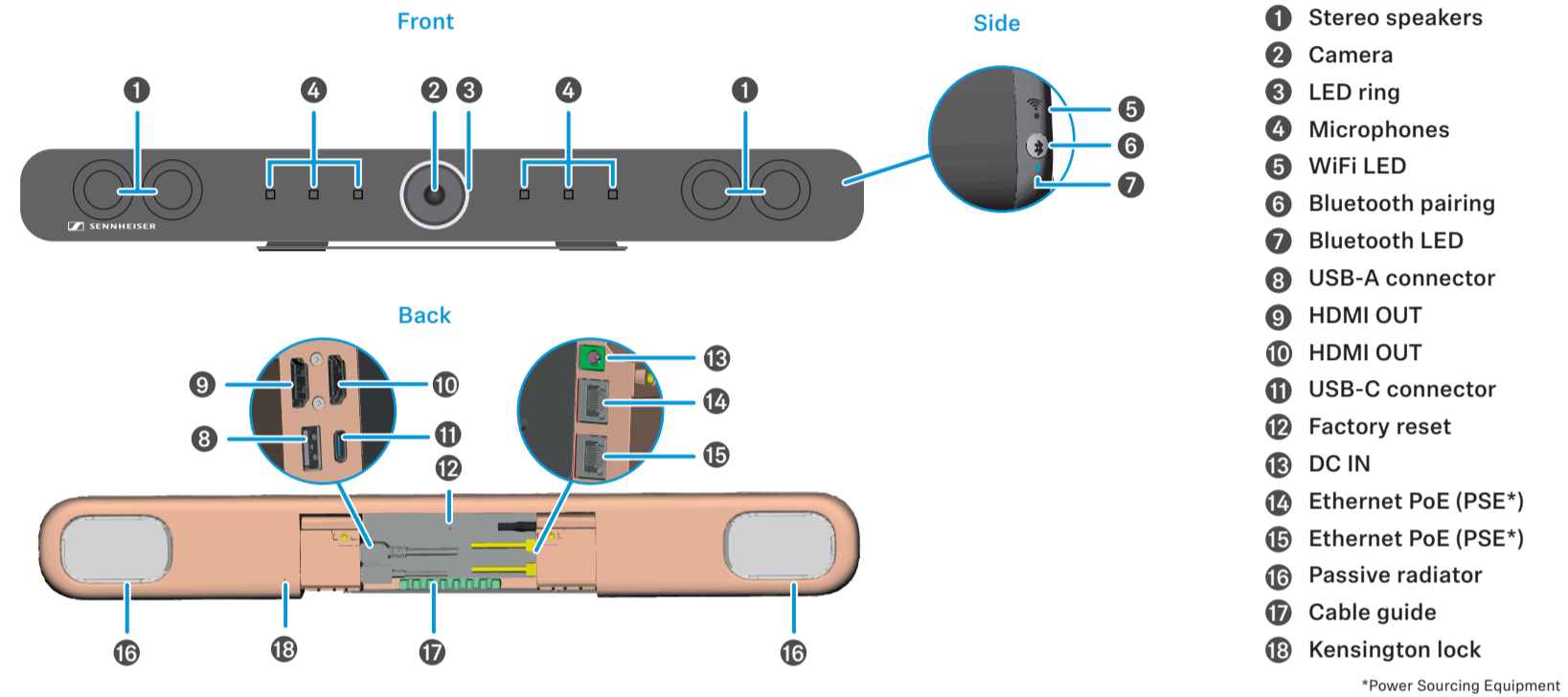
Am Labor 1, 30900 Wedemark, Germany
www.sennheiser.com

Publ. 06/22, 592874/A01

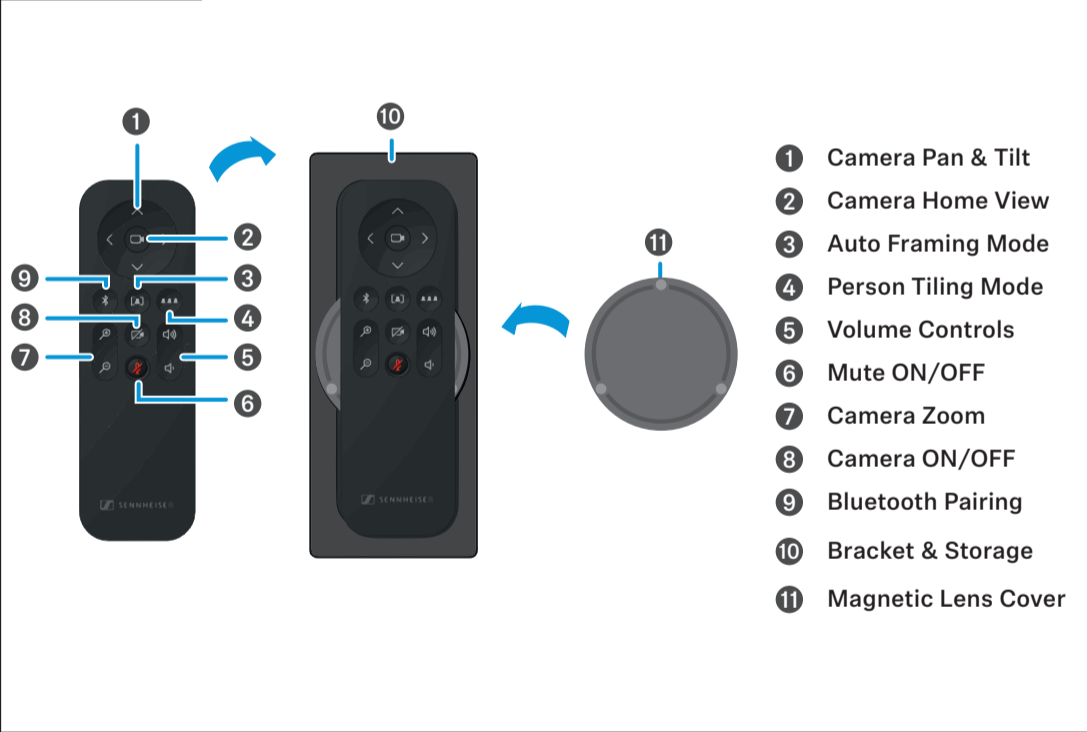
In the box



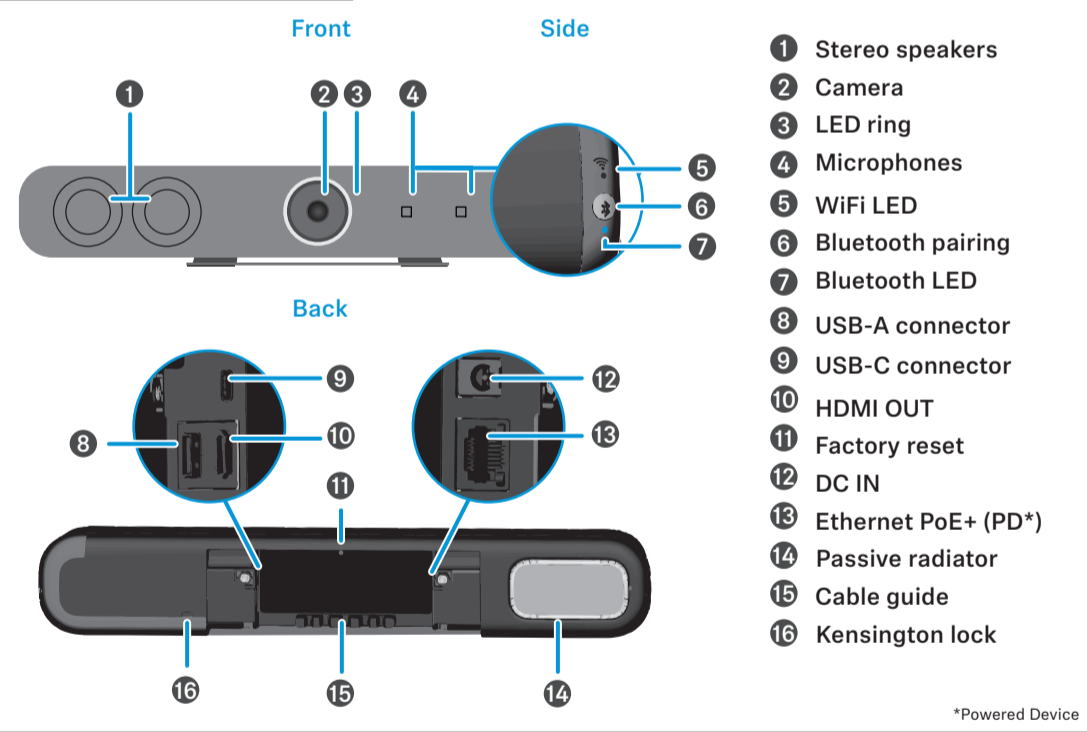
Product Overview | TC Bar M



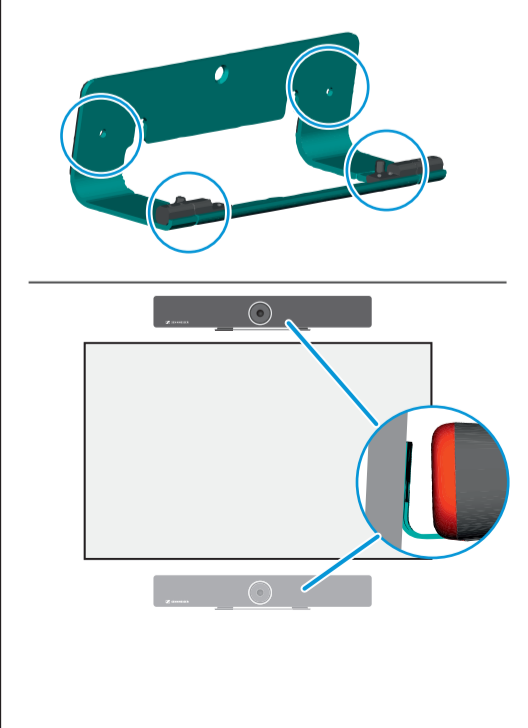
Remote Control



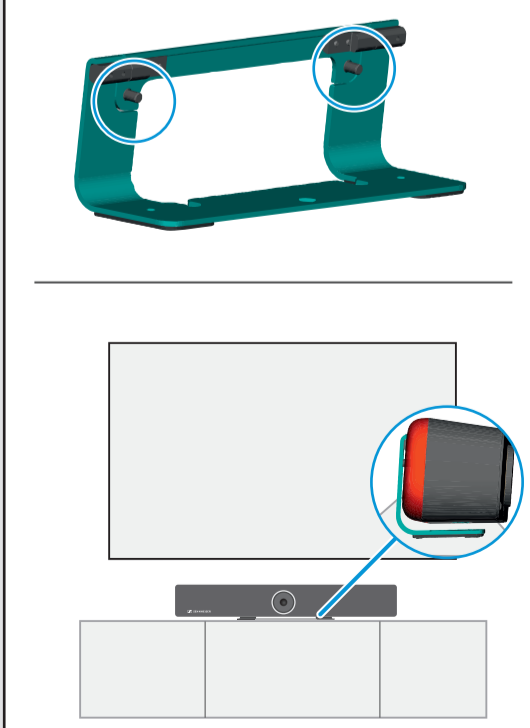
Product Overview | TC Bar S



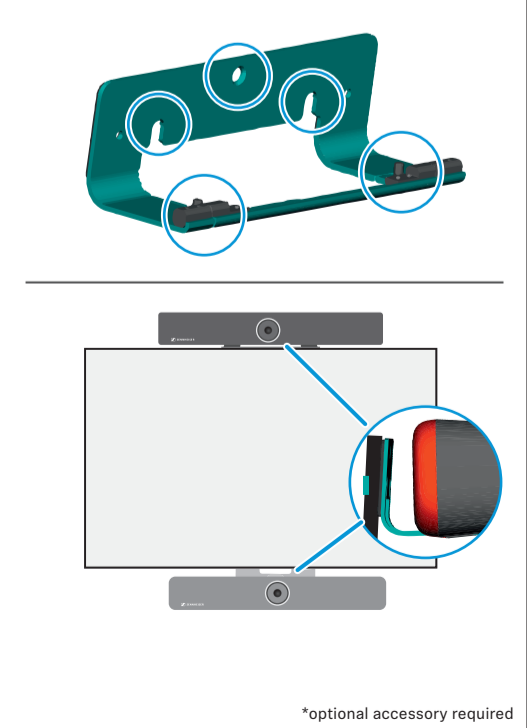
Mounting | Wall



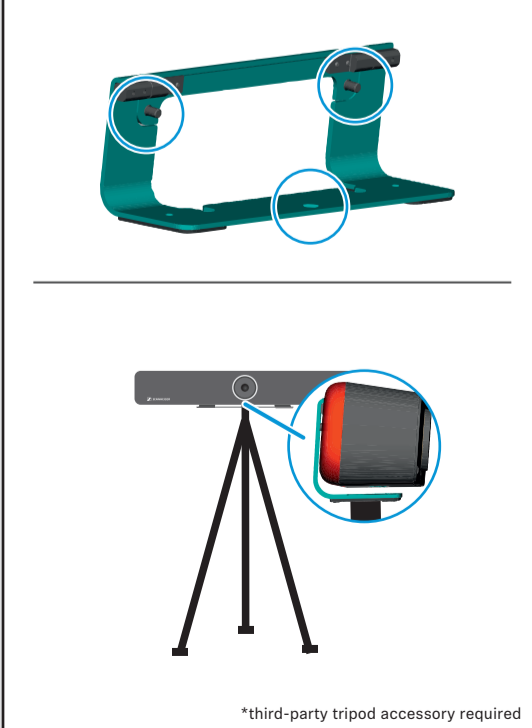
Mounting | Sideboard



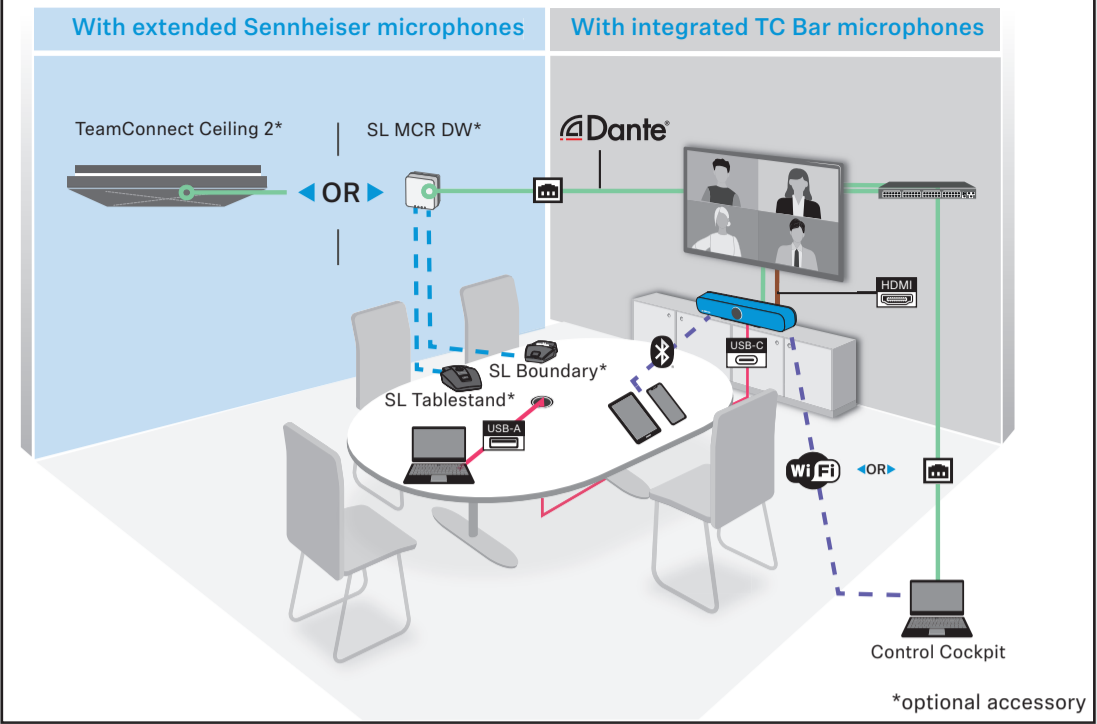
Mounting | VESA *



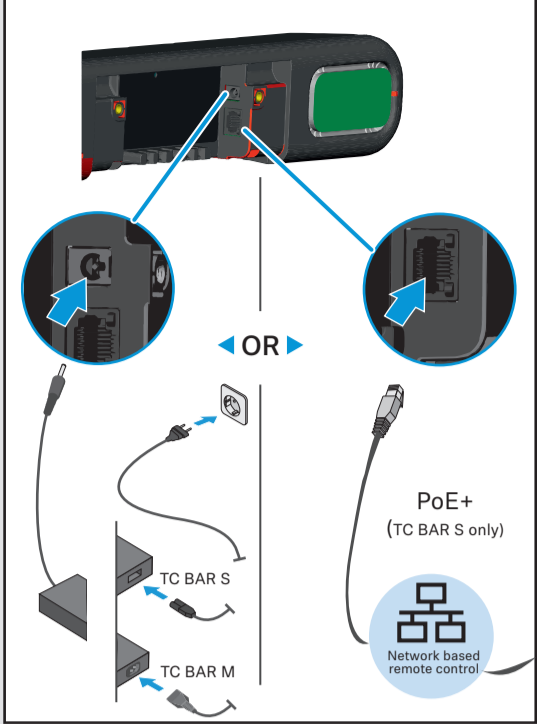
Mounting | Tripod *



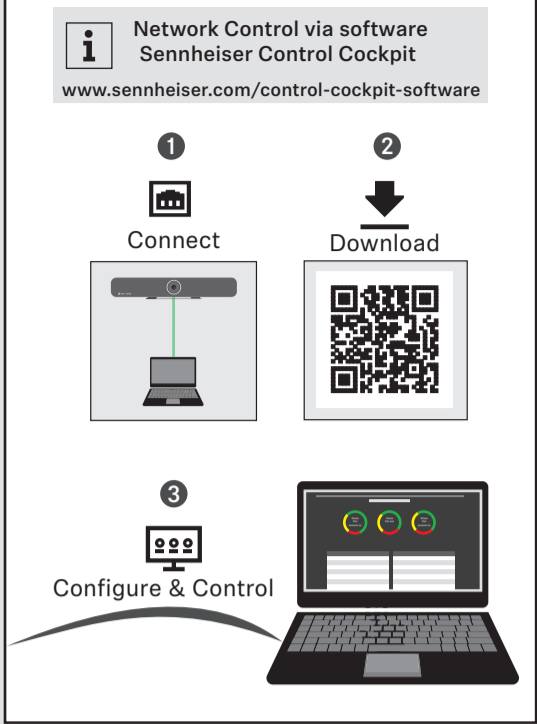
Setup | Connections



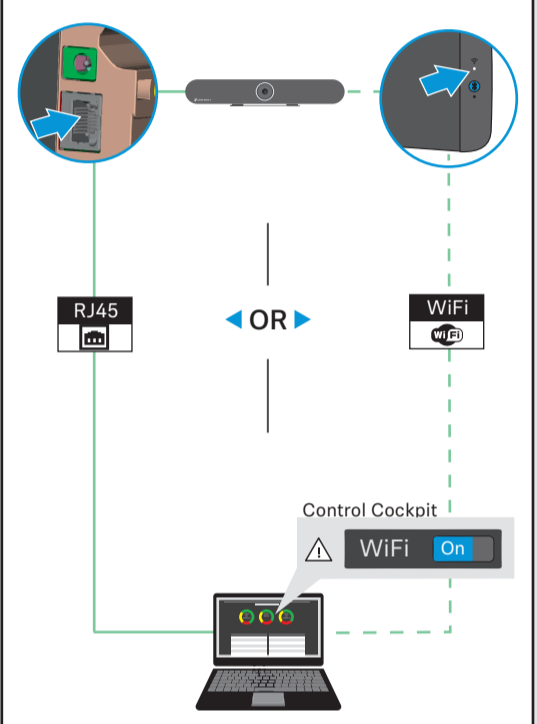
Power Supply



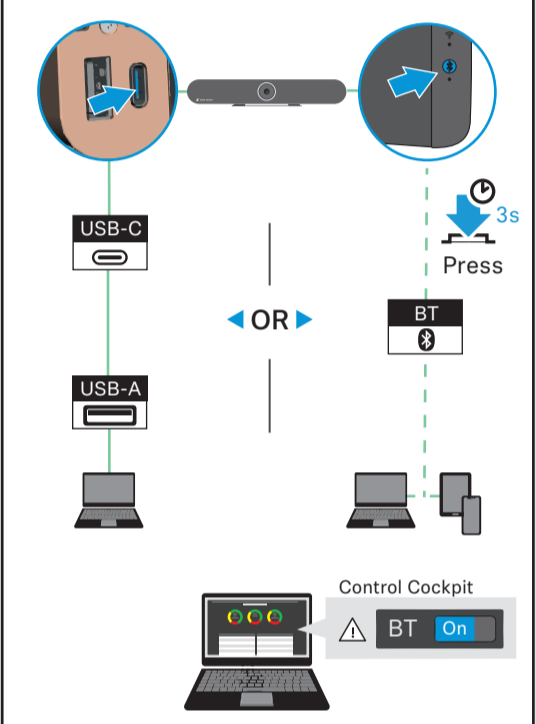
Setup



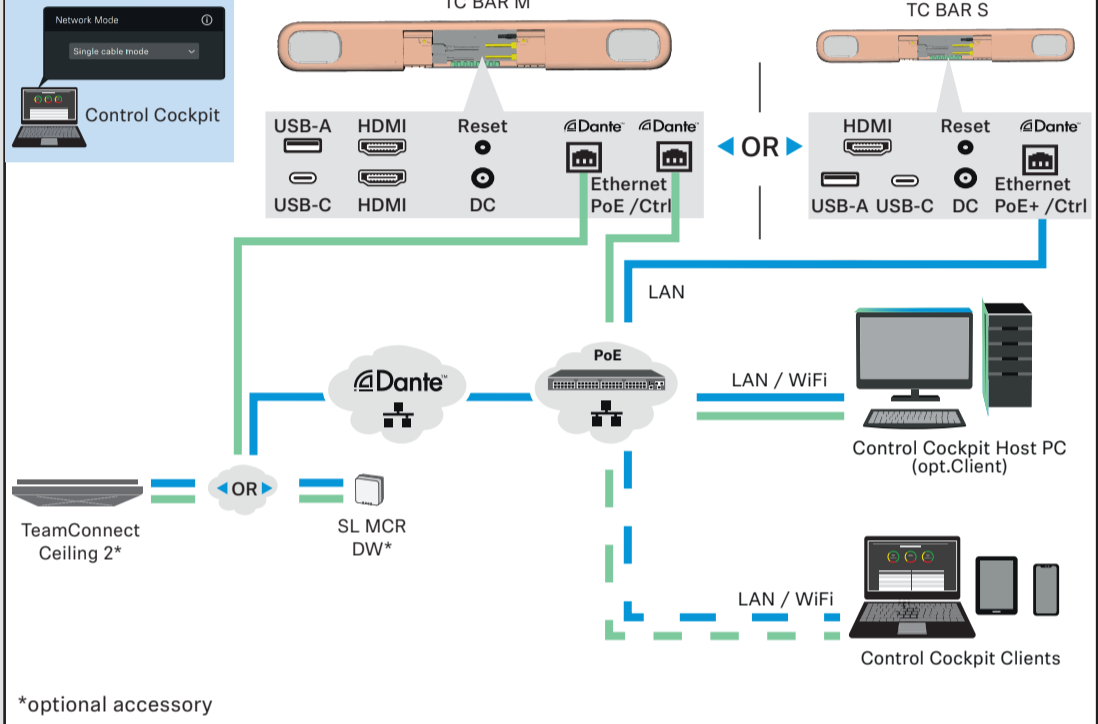
Remote Management



Connecting



Single Cable Mode



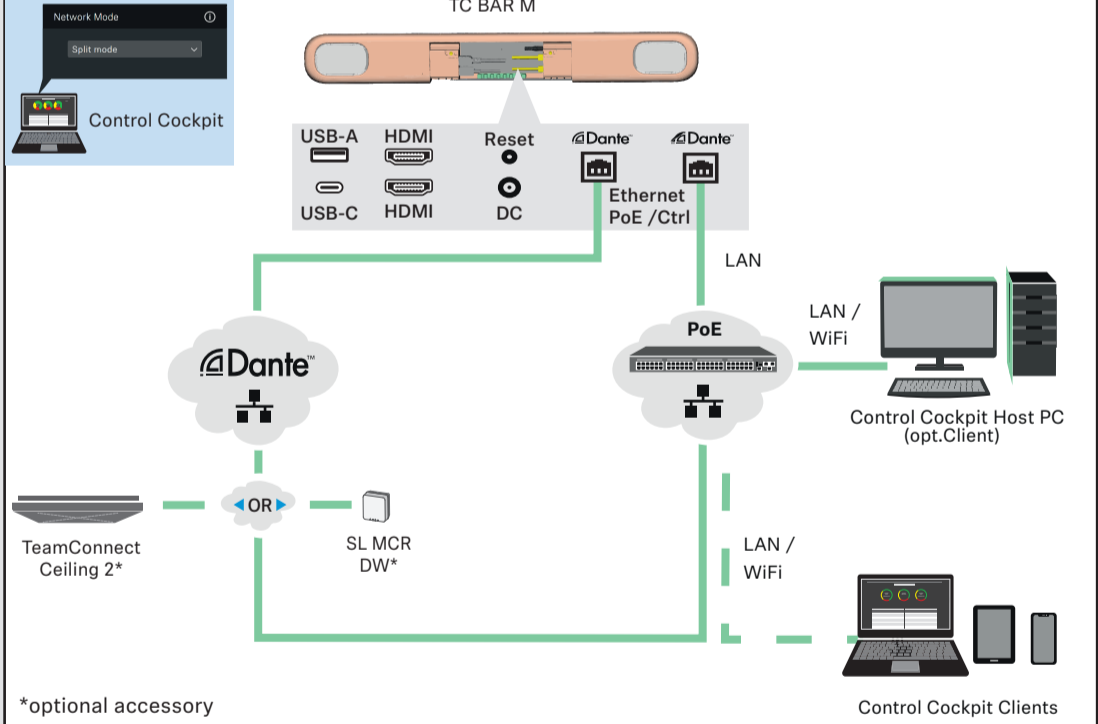
Auto Framing



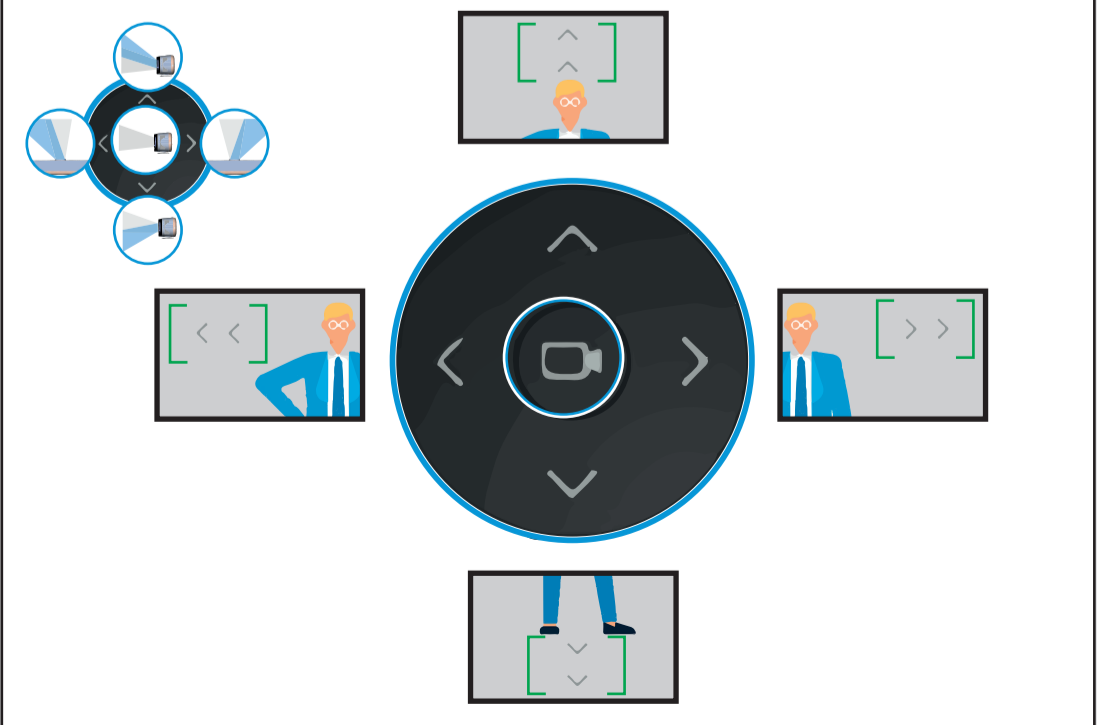
Person Tiling



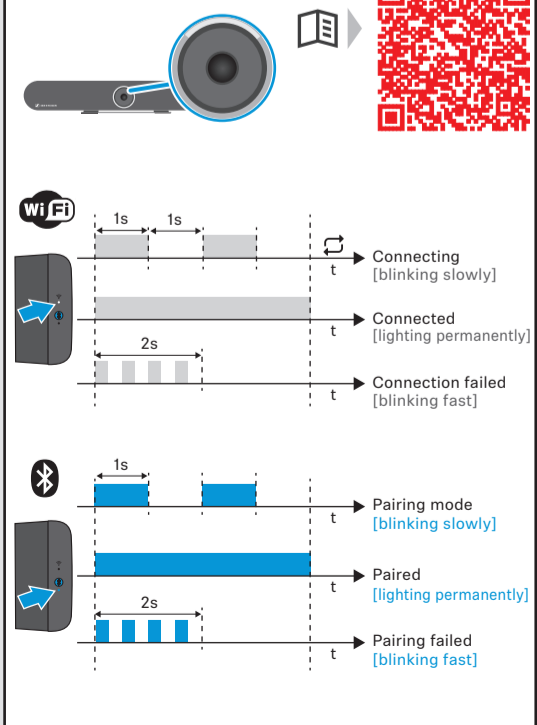
Split Mode



Camera Pan & Tilt



LED Status



Factory Reset

