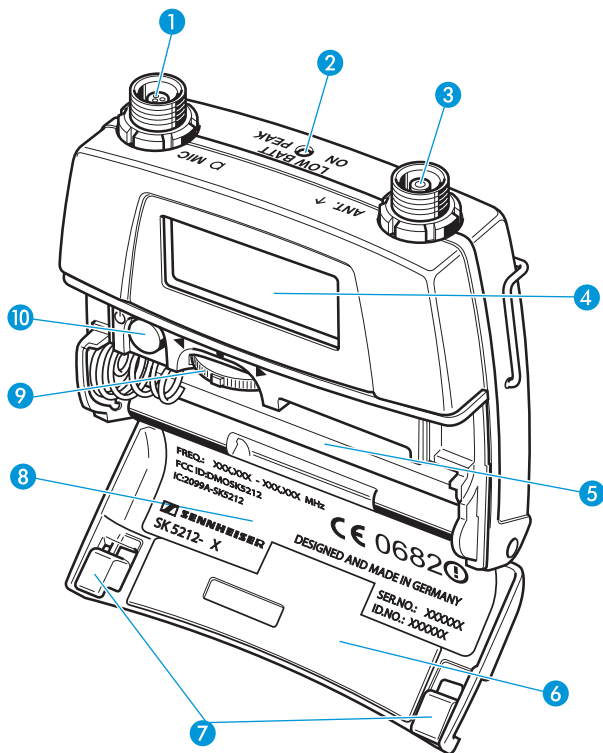


# The operating controls



- 1 Microphone input
- 2 Red LED for operation and battery status indication (ON/LOW BAT/PEAK)
- 3 Antenna socket
- 4 LC display, backlit
- 5 Battery compartment
- 6 Battery compartment cover
- 7 Battery compartment catches
- 8 Type plate
- 9 Multi-function switch with three switch positions:  
▼ (DOWN), ▲ (UP) and SET
- 10 ON/OFF button