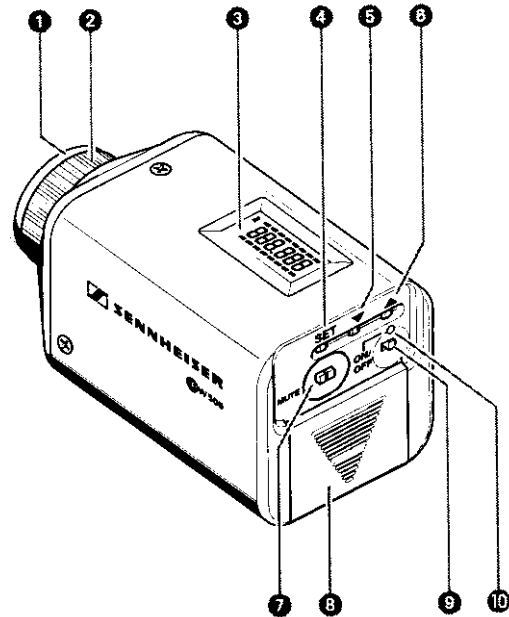


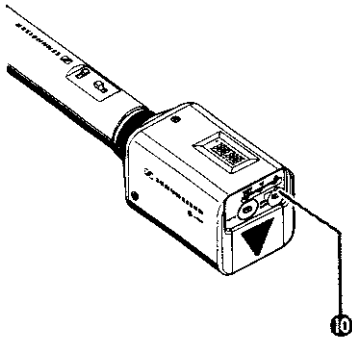


6. User's Manual

SKP 500 plug-on transmitter



- ① Microphone input, XLR-3 socket
- ② Mechanical locking ring of XLR-3 socket
- ③ LC display
- ④ SET button
- ⑤ ▼ button (DOWN)
- ⑥ ▲ button (UP)
- ⑦ MUTE switch
- ⑧ Battery compartment
- ⑨ ON/OFF button
- ⑩ Red LED for operation and battery status indication



Battery status indication

The red LED 10 and the lower 8-segment bargraph on the display provide information on the (remaining) battery capacity.

Bargraph:

The bargraph indicates the (remaining) battery capacity in 3 steps:

- 8 segments: the full battery capacity is available,
- 4 segments: the battery capacity is sufficient,
- 1 segment: the battery is going flat,
immediately replace the battery.

Note:

When switching on the transmitter with a partially used battery, it is possible that all eight segments may show for a short period of time – if this happens, re-check battery status after a few moments.

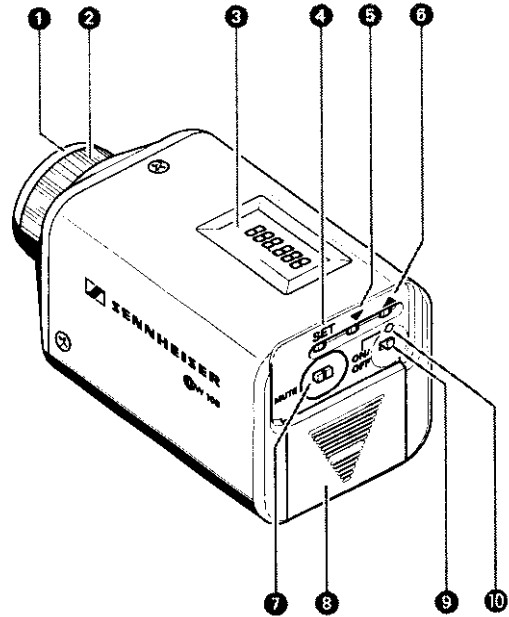
LED lit up:

The transmitter is switched on and the battery capacity is sufficient.

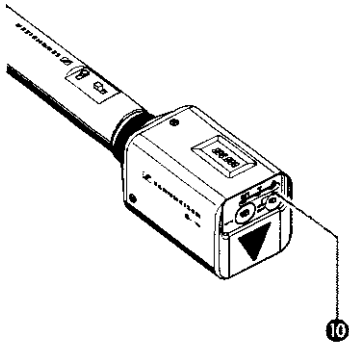
LED flashing:

The battery is going flat! You should immediately replace the battery!

SKP 100 plug-on transmitter



- ❶ Microphone input, XLR-3 socket
- ❷ Mechanical locking ring of XLR-3 socket
- ❸ LC display
- ❹ SET button
- ❺ ▼ button (DOWN)
- ❻ ▲ button (UP)
- ❼ MUTE switch
- ❽ Battery compartment
- ❾ ON/OFF button
- ❿ Red LED for operation and battery status indication



Battery status indication

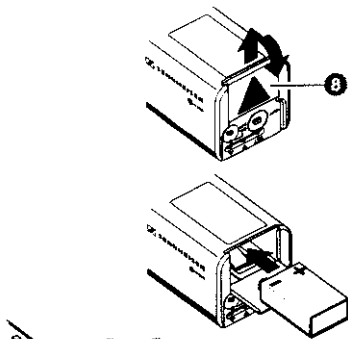
The red LED 10 provides information on the (remaining) battery capacity:

LED lit up:

The transmitter is switched on and the battery capacity is sufficient.

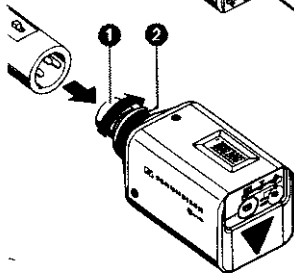
LED flashing:

The battery is going flat! You should immediately replace the battery



Inserting and changing the battery

- ▶ Slide the cover of the battery compartment **3** in the direction of the arrow until it clicks audibly and open the cover.
- ▶ Insert the 9 V PP3 battery (IEC 6 LR 61). Please observe correct polarity when inserting the battery.
- ▶ Close the battery compartment.

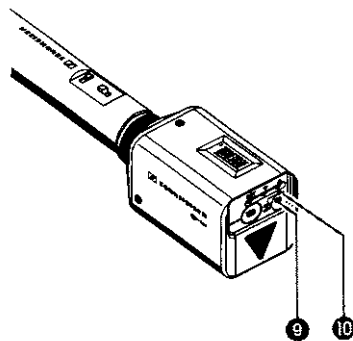


Plugging the transmitter onto the microphone

- ▶ Plug the transmitter's XLR-3 connector **1** onto the microphone's XLR-3 socket.
- ▶ Tighten the locking ring **2**.

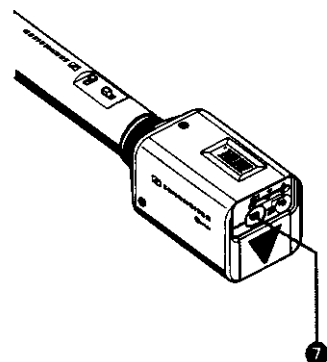
Note:

The transmitter uses the microphone body as an antenna – therefore only microphones with a metal casing should be used for best signal transmission.



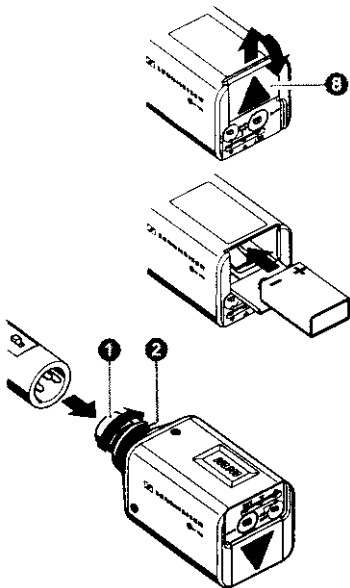
Switching the transmitter on/off

- ▶ Press the ON/OFF button **9** to switch the transmitter on. The red LED **10** lights up.
- ▶ For phantom powered condenser microphones: Via the menu, switch on the phantom powering (P 48) (☛ "6 Operation").
For dynamic microphones: Via the menu, switch off the phantom powering (P 48) (☛ "6 Operation"). With the phantom powering switched on, the operating time of the battery will be reduced to approx. 5 hours.
- ▶ To switch the transmitter off, press the ON/OFF button until "OFF" appears on the display. You can then release the button. The red LED goes off.



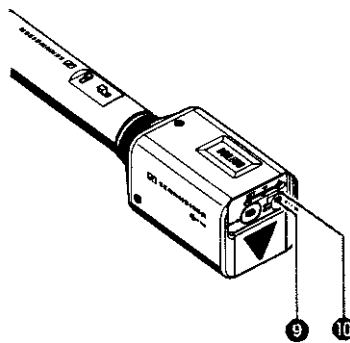
Muting the transmitter

Use the MUTE switch **7** to noiselessly mute the transmitter's audio signal (this switch does **not** switch off the transmitter).



Inserting and changing the battery

- ▶ Slide the cover of the battery compartment **8** in the direction of the arrow until it clicks audibly and open the cover.
- ▶ Insert the 9 V PP3 battery (IEC 6 LR 61). Please observe correct polarity when inserting the battery.
- ▶ Close the battery compartment.

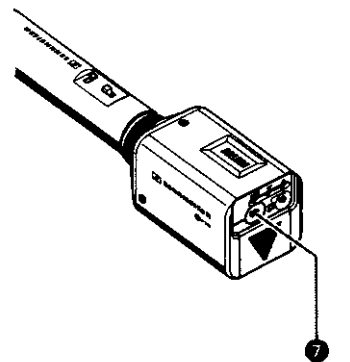


Plugging the transmitter onto the microphone

- ▶ Plug the transmitter's XLR-3 connector **1** onto the microphone's XLR-3 socket.
- ▶ Tighten the locking ring **2**.

Note:

The transmitter uses the microphone body as an antenna – therefore only microphones with a metal casing should be used for best signal transmission.



Switching the transmitter on/off

- ▶ Press the ON/OFF button **9** to switch the transmitter on. The red LED **10** lights up.
- ▶ To switch the transmitter off, press the ON/OFF button until "OFF" appears on the display. You can then release the button. The red LED goes off.

Muting the transmitter

Use the MUTE switch **7** to noiselessly mute the transmitter's audio signal (this switch does **not** switch off the transmitter).