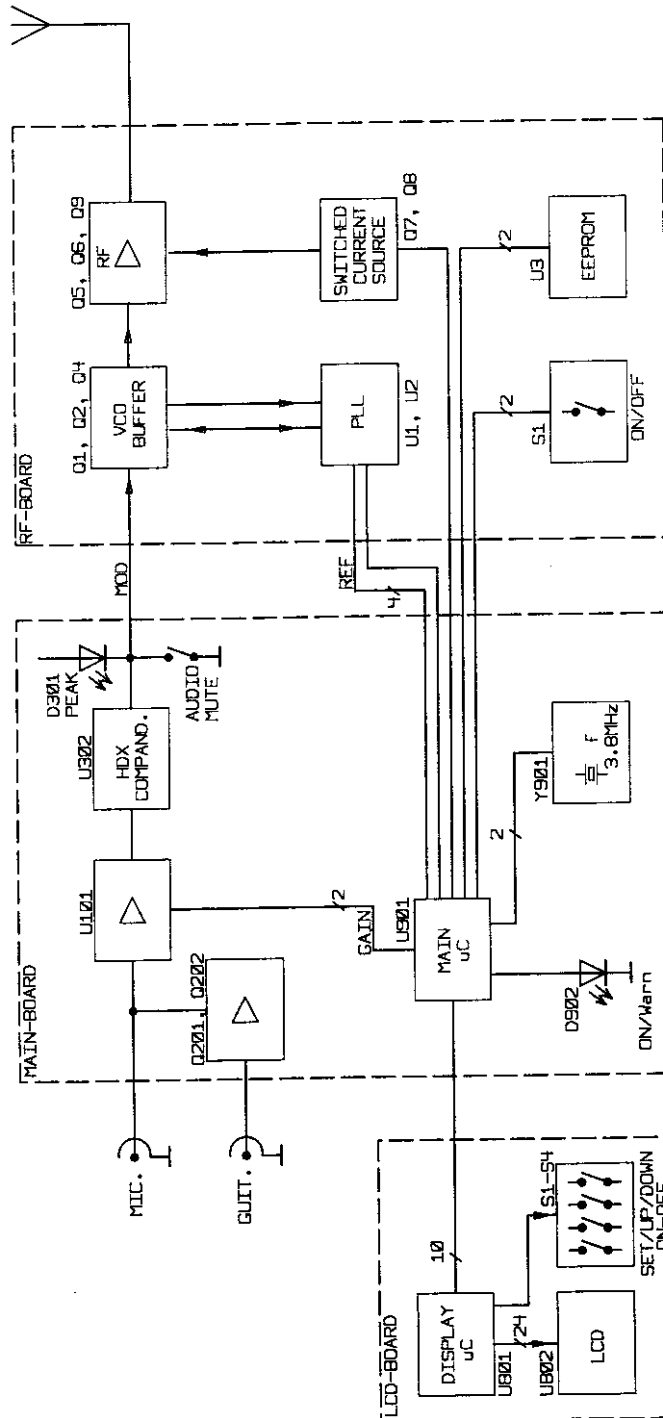


**5. Technical Documents**

**5.1 Block Diagram**



BLOCKDIAGRAM SK100 / 300 / 500