

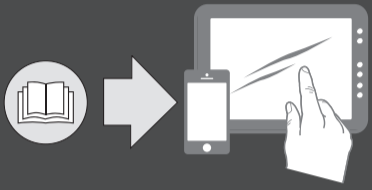


SpeechLine Digital Wireless SL MCR DW

Quick Guide
Kurzanleitung
Guide de démarrage rapide
Guida rapida
Instrucciones resumidas
Instruções resumidas
Beknopte gebruiksaanwijzing
Krótka instrukcja obsługi
Snabbguide

Kort vejledning
Pikaohje
Γρήγορος οδηγός
Kısa Kılavuz
Краткая инструкция
快速指南
快速使用指南
クイックガイド
퀵 가이드

SENNHEISER



Sennheiser Documentation App

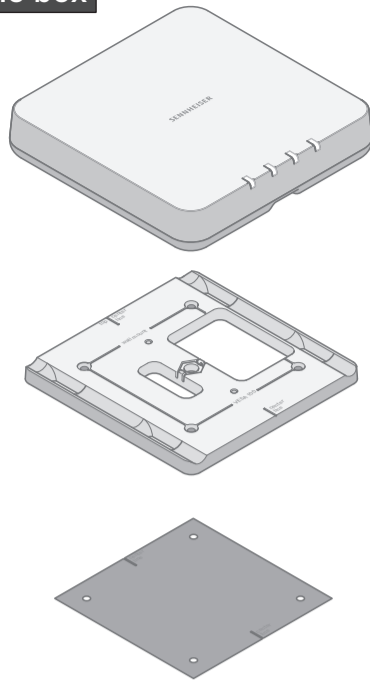


or online at
www.sennheiser.com/download
SpeechLine Digital Wireless_

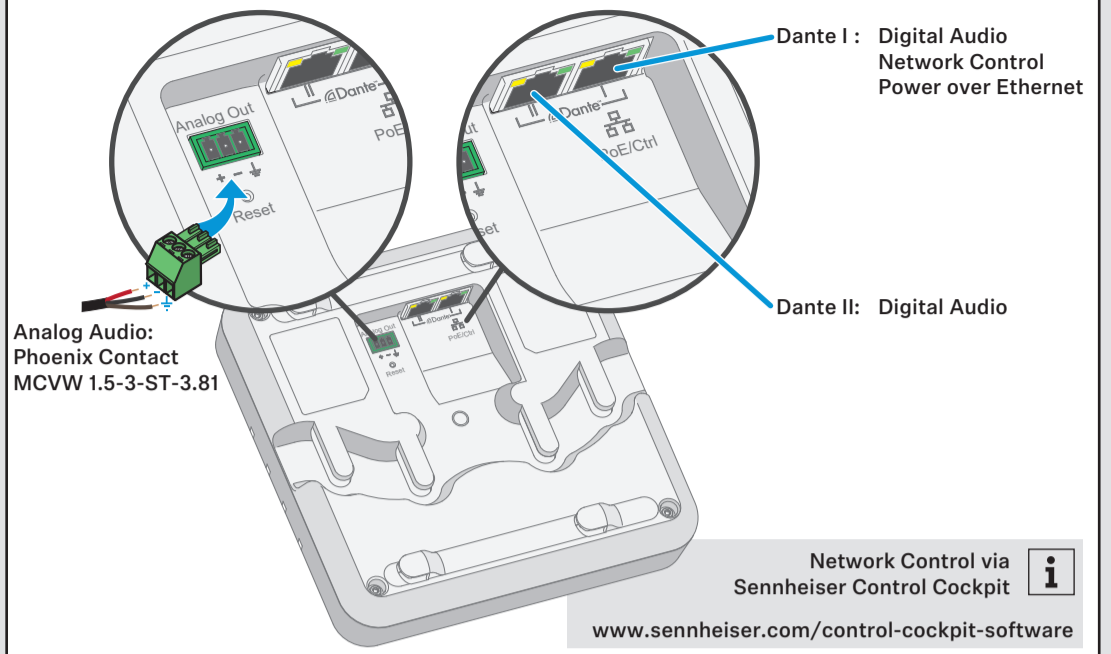
Sennheiser electronic GmbH & Co. KG
Am Labor 1, 30900 Wedemark, Germany
www.sennheiser.com

Printed in Germany, Publ. 01/20, 583940/A01

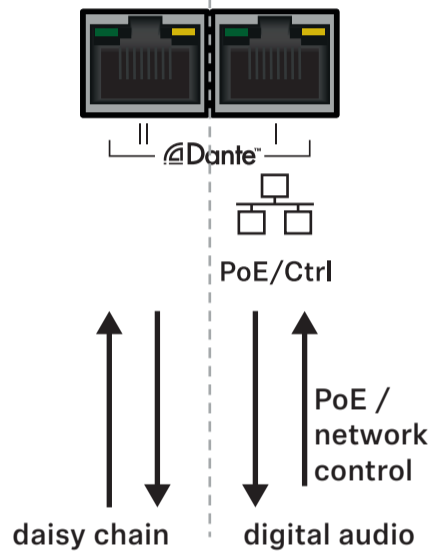
In the box



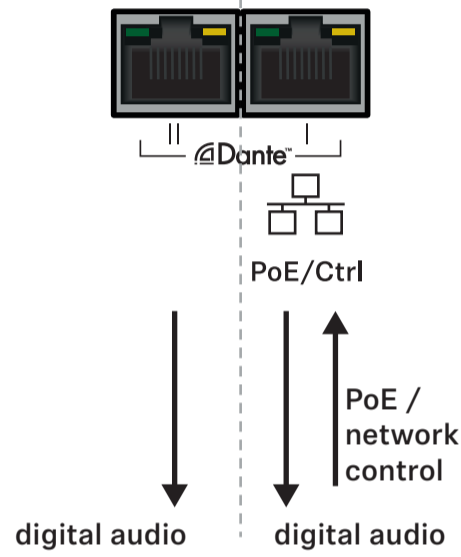
Connecting



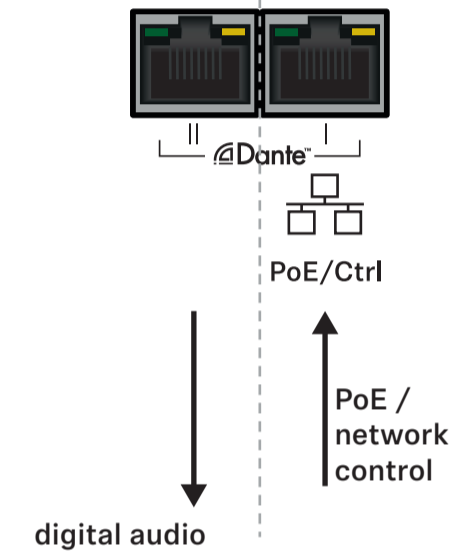
Single Cable Mode (Factory Default)



Audio Redundancy Mode

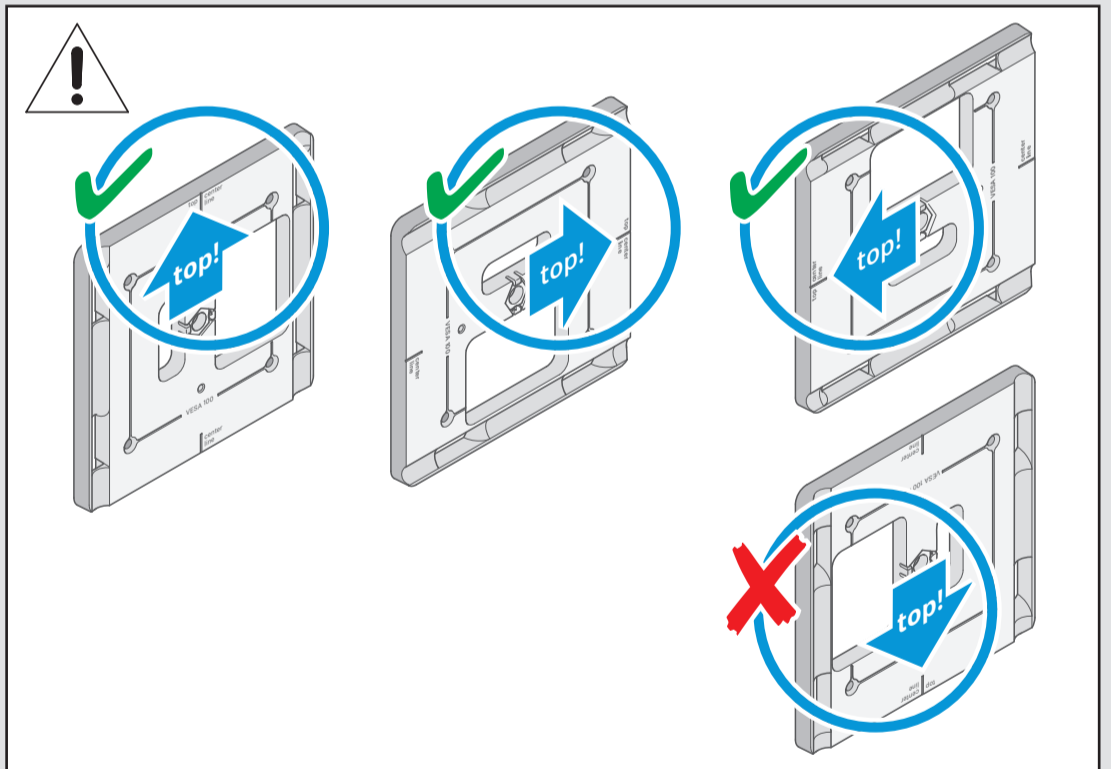
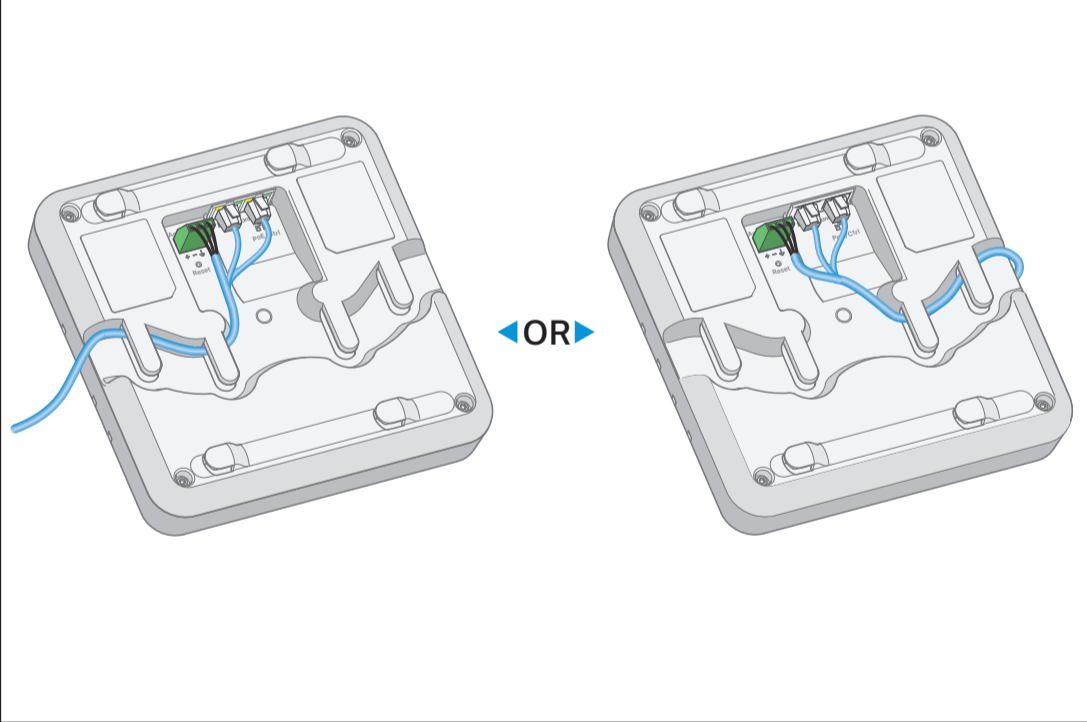


Split Mode



Configuration via Audinate Dante Controller | www.audinate.com

Cable Routing



Wall

