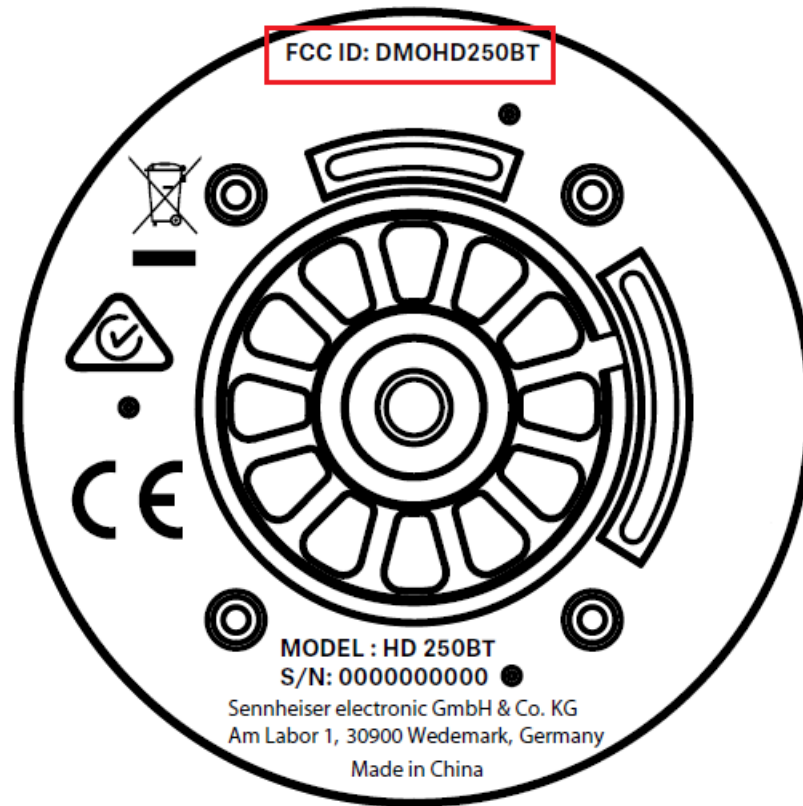


The FCC ID is printed on the baffle, under the ear pads.



RIGHT SPEAKER COVER