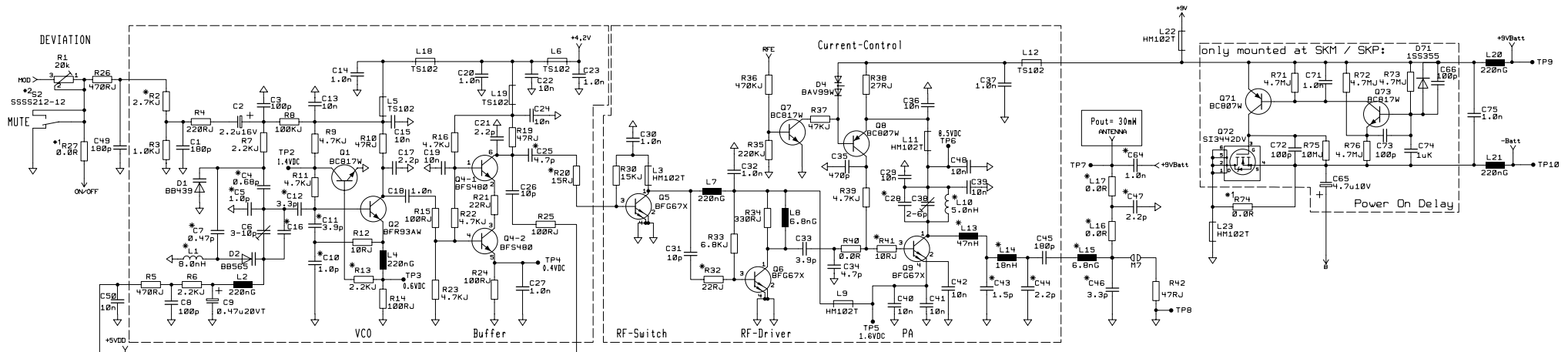
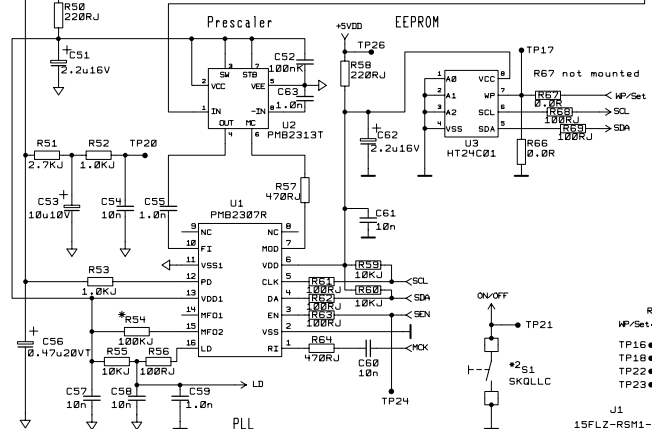


LP:77192
 sk_nf1
 SKMX00
~~01.06.99~~ Lt
 21.07.99 Kra.



RF-Parts shown Range 790-822MHz



*COMPONENTS SK/SKM/SKP/SR Versions: SK=1, SKM/SKP=2, SR=3

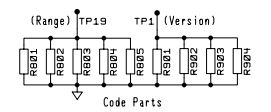
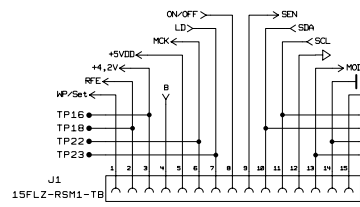
RANGE	Freq. (MHz)	R54	R2	L1	C4	C5	C7	C10	C11	C12	R13	C25	R20	R32	R41	L10	L13	C43	L14	C44	L/R15	C46	L/R16	C47	L17	Code Parts
1	518-550	82k	2k2	18n5	3p3	1p0	0p47	10p	6p8	15p	47k	6p8	0R0	33R	33R	12n5	82n	1p8	33n	4p7	12n	5p6	6n8	4p7	0R0	Ver. 1: R901=120R Ver. 3: R903=470R R801= 120R
2	630-662	82k	18k	12n5	3p3	1p0	0p47	2p2	5p6	15p	10k	6p8	0R0	22R	22R	8n0	82n	2p2	22n	3p3	0R0	4p7	3n9	4p7	0R0	R802= 270R
3	740-772	120k	10k	8n0	2p2	2p2	0p47	2p2	5p6	10p	4k7	6p8	0R0	22R	22R	8n0	82n	1p5	18n	3p3	0R0	6p8	3n9	6p8	0R0	R803= 470R
4	790-822	100k	2k7	8n0	0p68	1p0	0p47	1p0	3p9	3p3	2k2	4p7	15R	22R	10R	5n0	47n	1p5	18n	2p2	6n8	3p3	0R0	2p2	0R0	R804= 680R
5	838-870	68k	1k0	8n0	0p68	1p2	0p47	1p0	3p9	3p3	2k2	4p7	15R	22R	10R	5n0	47n	1p5	18n	2p2	6n8	3p3	0R0	2p2	0R0	R805= 1k0

Differing for SKM/SKP (Vers.2)

18p	6n8	22p	6n8
15p	4n7	15p	0R0
4p7	0R0	15p	0R0
10p	5n6	15p	0R0
4p7	5n6	6p8	15p

R902=270R

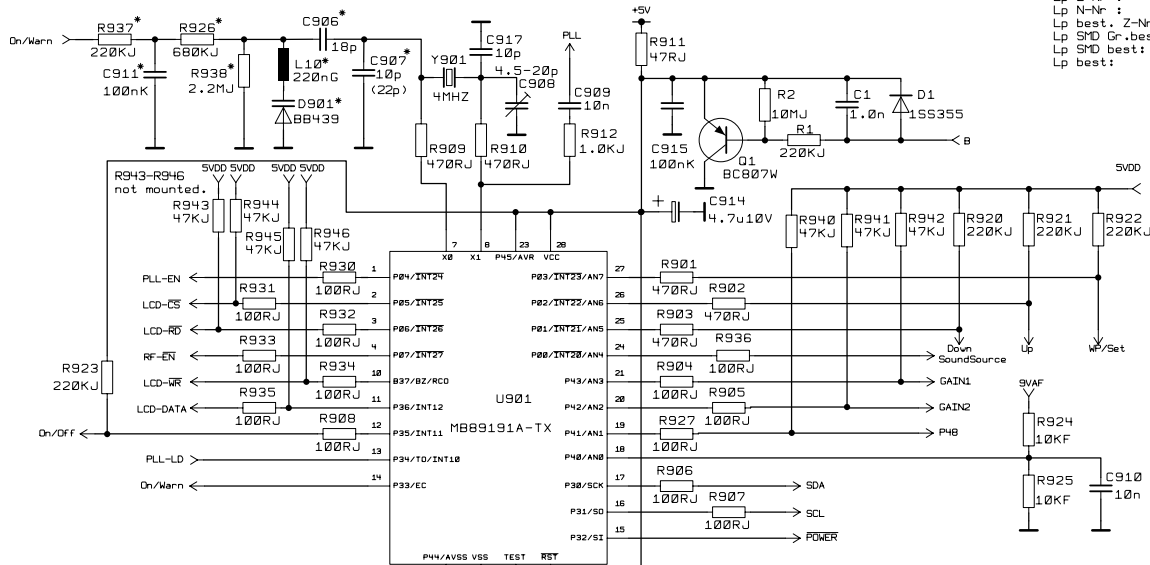
NOTE: C16, C28, C64 mounted if necessary.
*1 only mounted at SK/SR
*2 only mounted at SKM/SKP



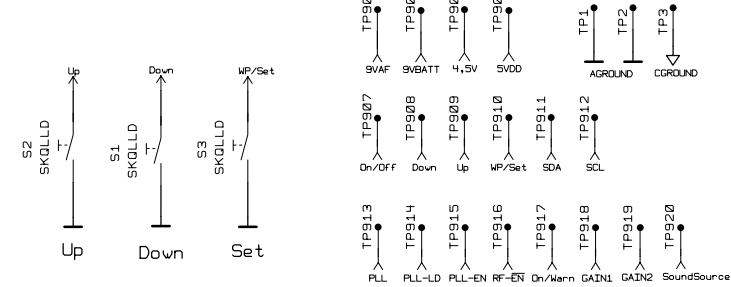
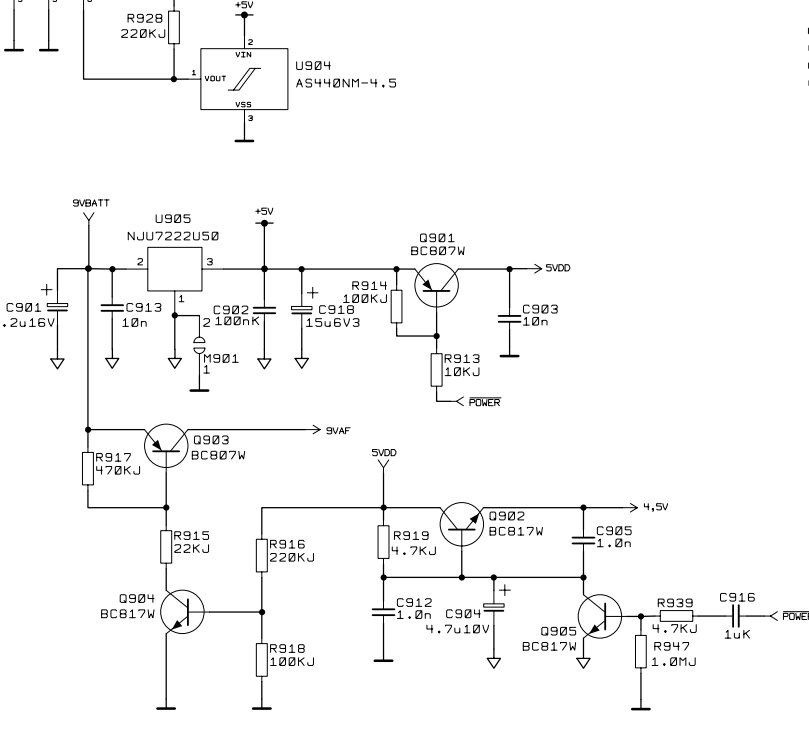
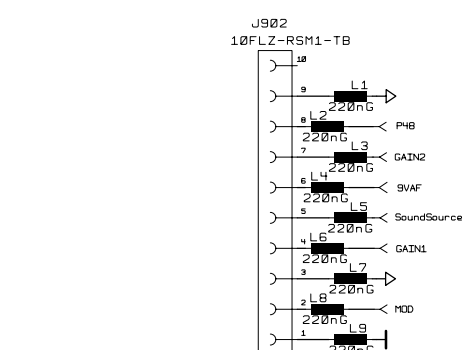
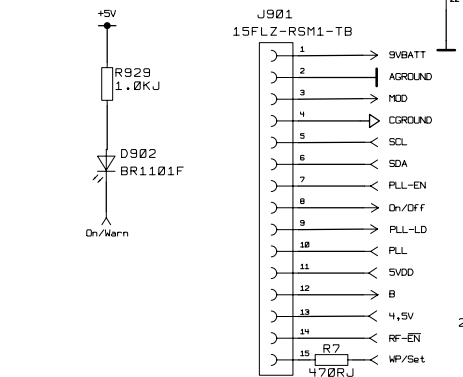
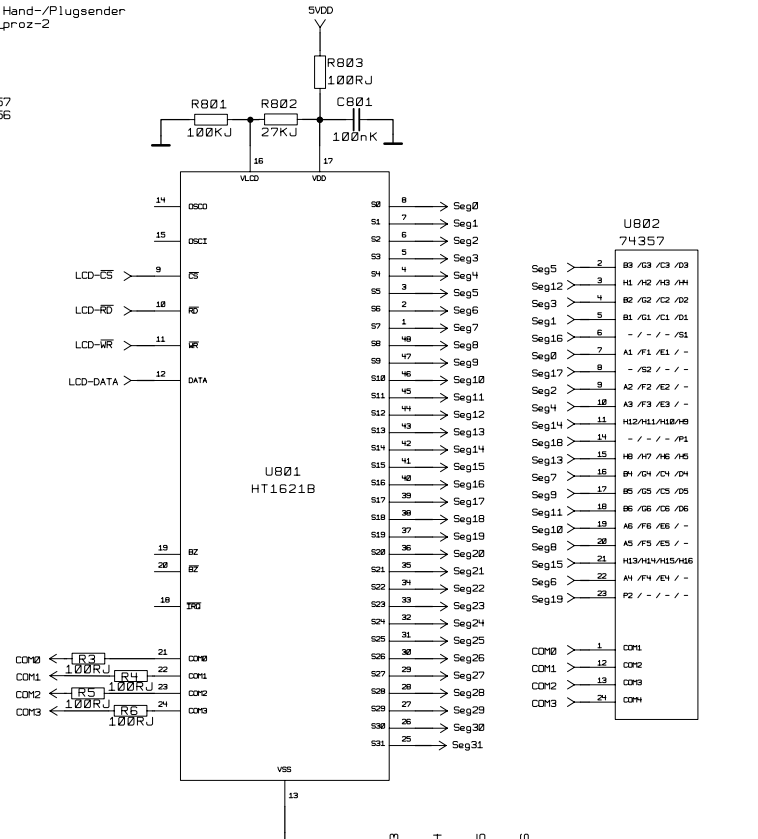
SKX 1XX0 UHF
HF-Teil
STROMLAUFPLAN

21.06.99 Kra.
08.07.99 Kra.
09.07.99 Pri
23.07.99 Poh
19.08.99 Pri
20.08.99 Pri

* wird nur bestueckt,
wenn low-Bat.-Übertragung
(Variante skm_proz-1)



WIRELESS: Prozessorplatine Hand-/Plugsender
 skm_proz: skm_proz-1 / skm_proz-2
 Lp ID : 76953
 Lp Z-Nr : 76949
 Lp N-Nr : 76948
 Lp best. Z-Nr: 77170
 Lp SMD Gr.best:78458
 Lp SMD best: 77172 / 78457
 Lp best: 77171 / 78456



Prozessorplatine Hand-/Plugsender
 processor board
 skm_proz
 LP 76953
 29.05.99 Kra. 16.07.99 Kra.
 03.06.99 Kra. 27.07.99 Pr1
 09.07.99 Pr1 20.08.99 Pr1