

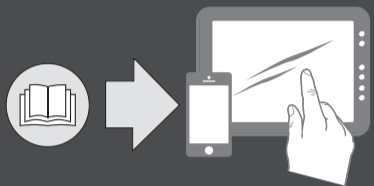


ew 100 P G4 ew 500 P G4

Quick Guide
Kurzanleitung
Guide rapide
Guía rápida
Guia de inicio rápido
Guia rápido
Beknopte handleiding
Krótka instrukcja obsługi
Snabbguide

Kort vejledning
Pikaohje
Γρήγορος οδηγός
Kısa Kılavuz
Краткая инструкция
快速指南
快速使用指南
クイックガイド
퀵 가이드

SENNHEISER



Sennheiser Documentation App



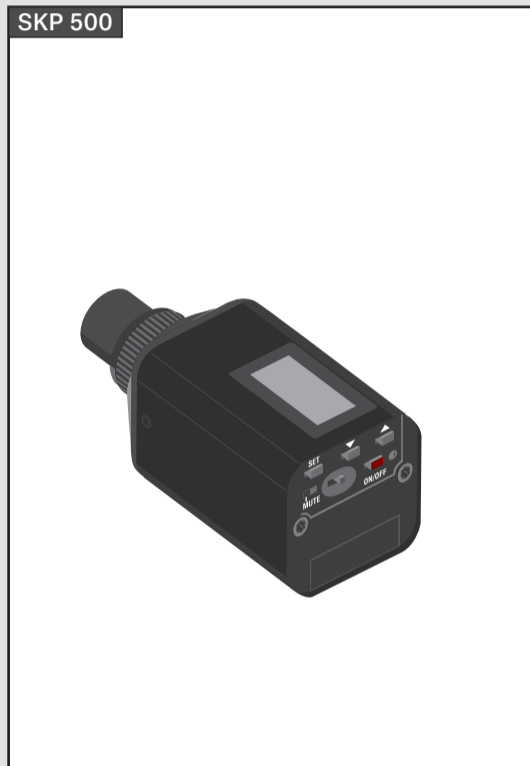
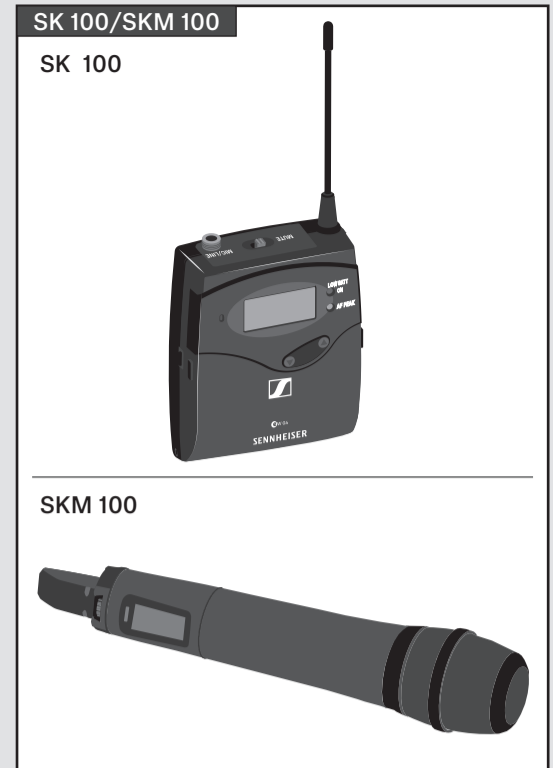
or online at
www.sennheiser.com/download

ew 100 P G4
ew 500 P G4

Sennheiser electronic GmbH & Co. KG

Am Labor 1, 30900 Wedemark, Germany
www.sennheiser.com

Printed in Germany, Publ. 01/18, 575862/A01

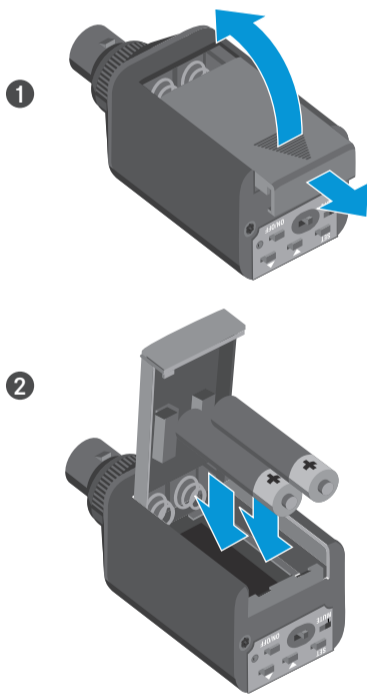


Battery

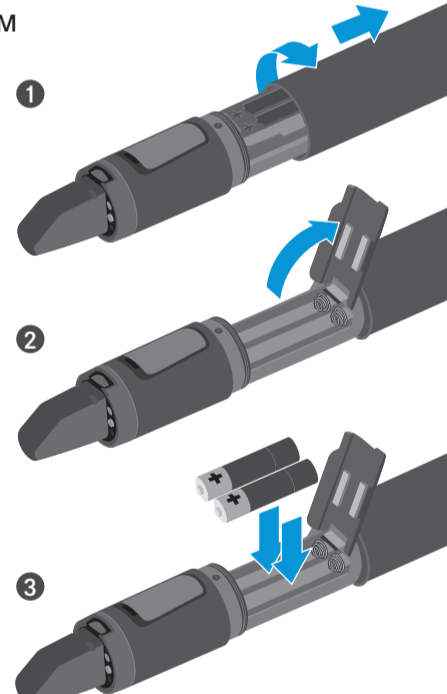
EK/SK



SKP



SKM



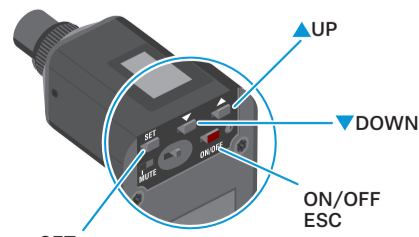
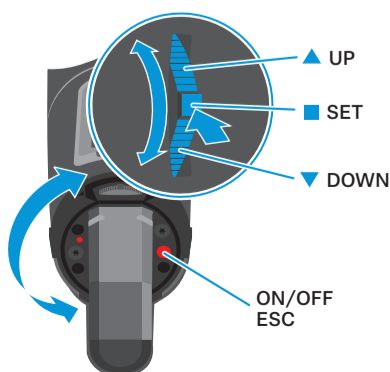
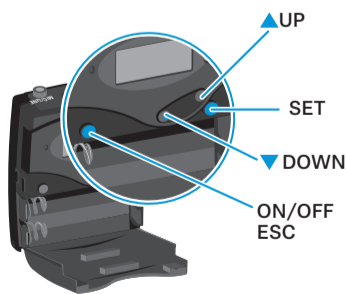
On/Off

	EK	SK/SKM/SKP	
short	on	on	
long	-	on + RF Mute	
long	off	off	

Battery

	100 %	> 8 h
	70 %	4 - 6 h
	30 %	2 - 3 h
LOW BATT		

Menu



EK 100

Main menu "Menu"	"Easy Setup"	Extended menu "Advanced Menu"
Sync Squelch Easy Setup Frequency Preset Name AF Out Auto Lock Advanced Exit	Reset List Current List Scan New List Exit	Tune Pilot Tone LCD Contrast Reset Software Revision Exit

SK/SKM/SKP 100

Main menu "Menu"	Extended menu "Advanced Menu"
Sensitivity Frequency Preset Name Auto Lock Advanced Exit	Tune Mute Mode (SK/SKP) RF Power Cable Emulation (SK) Pilot Tone LCD Contrast Reset Software Revision Exit

EK 500

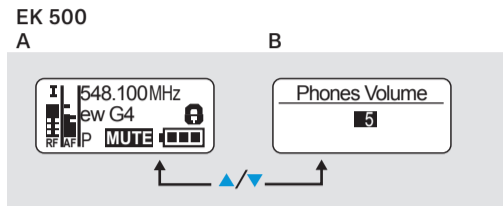
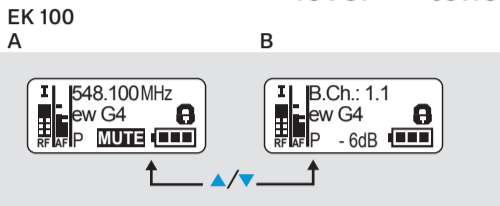
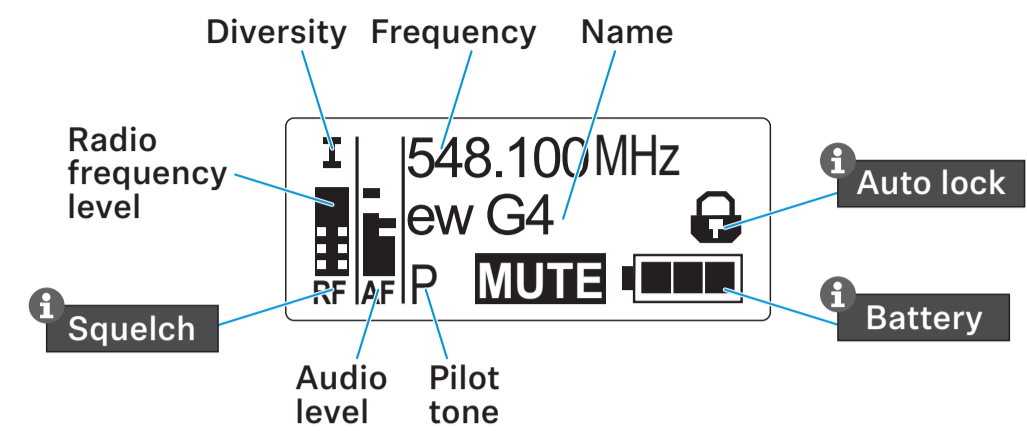
Main menu "Menu"	"Easy Setup"	Extended menu "Advanced Menu"
Sync Phones Volume Squelch Easy Setup Frequency Preset Name AF Out Equalizer Auto Lock Advanced Exit	Reset List Current List Scan New List Exit	Tune Sync Settings Pilot Tone LCD Contrast Reset Software Revision Exit

SK/SKM/SKP 500

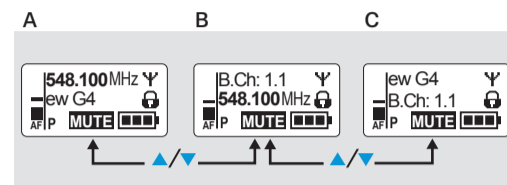
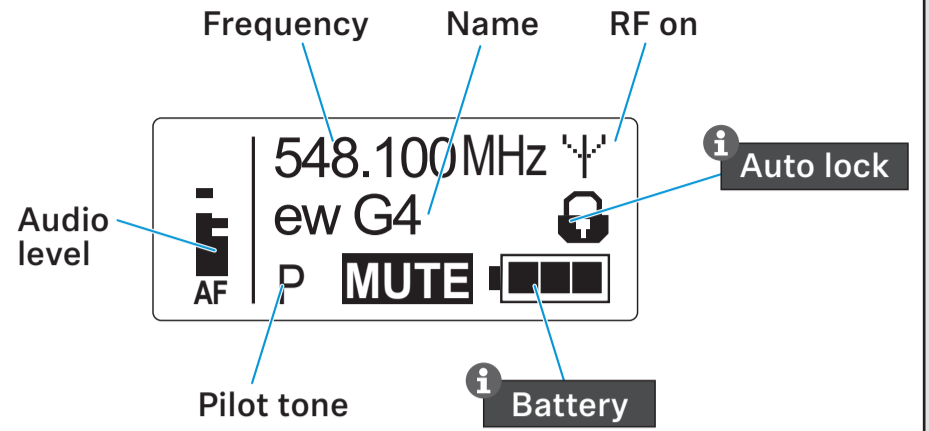
Main menu "Menu"	Extended menu "Advanced Menu"
Sensitivity Frequency Preset Name Auto Lock Advanced Exit	Tune Mute Mode (SK/SKP) RF Power Cable Emulation (SK) Phantom Power 48 V (SKP) Pilot Tone LCD Contrast Reset Software Revision Exit

Display

EK

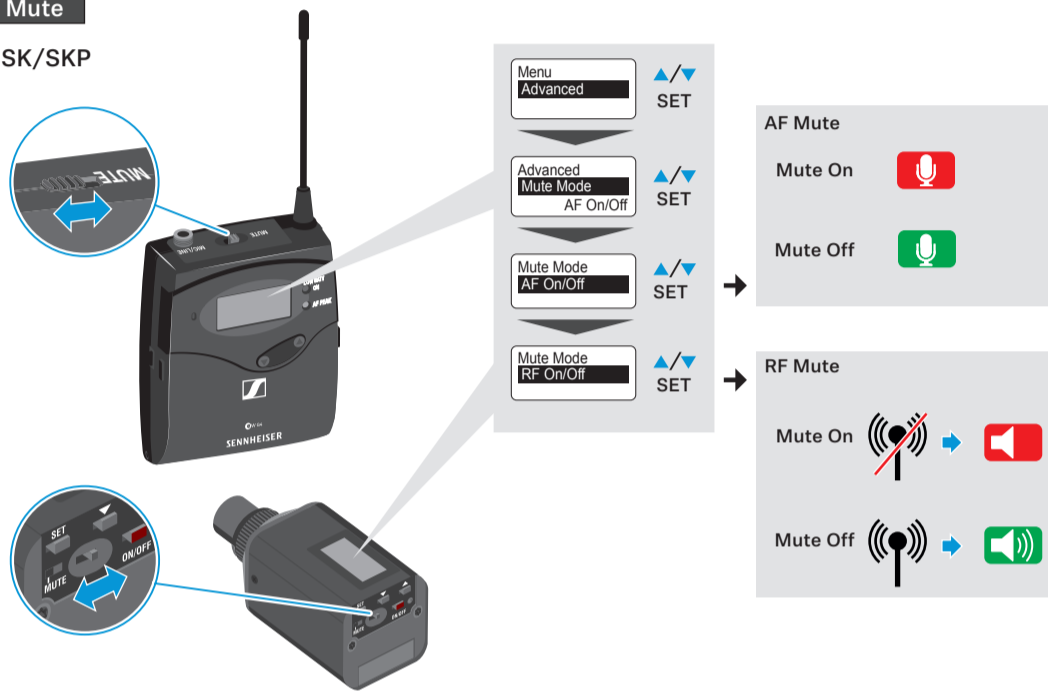


SK/SKP/SKM

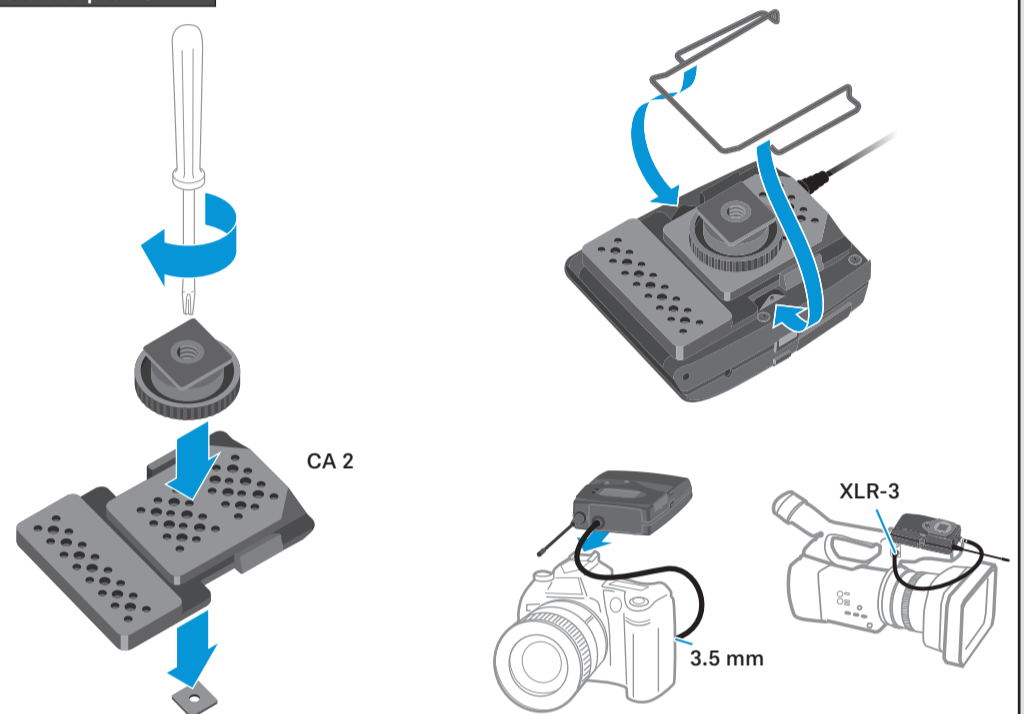


Mute

SK/SKP

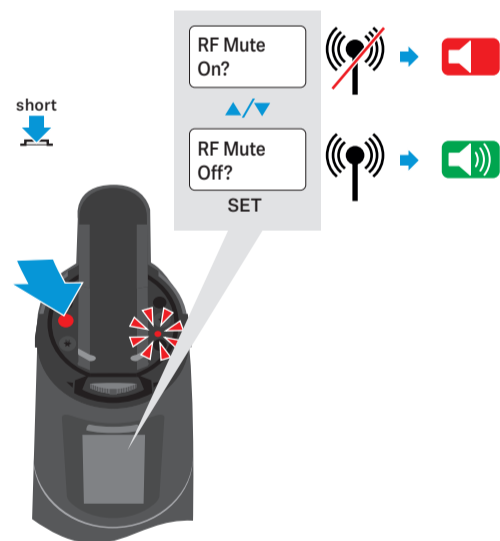


Camera adapter CA 2



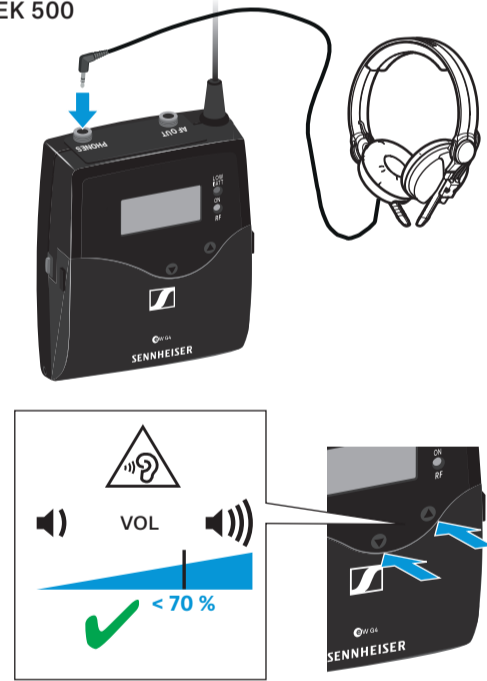
Mute

SKM



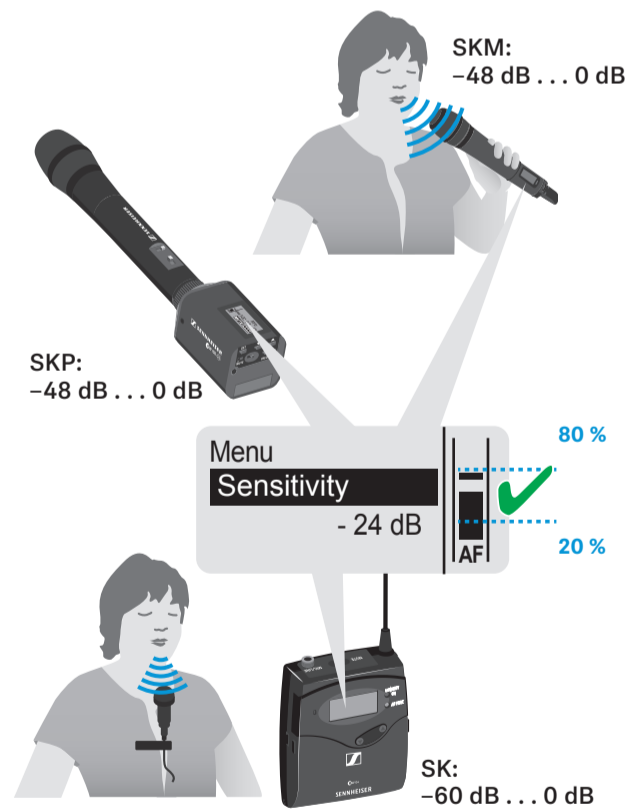
Phones

EK 500



Setup Audio Level

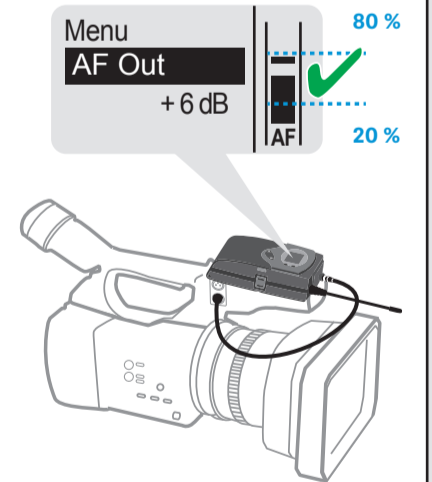
SKP/SKM/SK



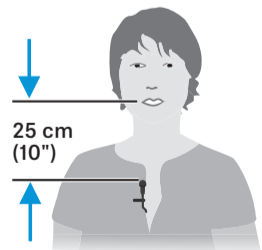
EK

EK 100: -30 dB ... +12 dB

EK 500: -24 dB ... +18 dB

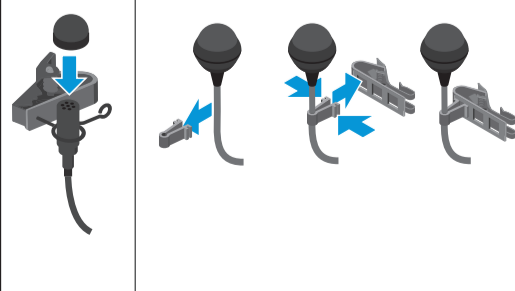


Mic position

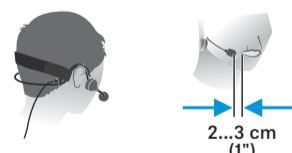


ME 2

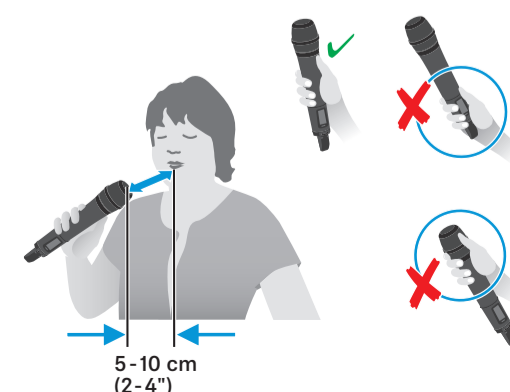
ME 4



ME 3-II



SKM



Camera Menu: INPUT LEVEL

