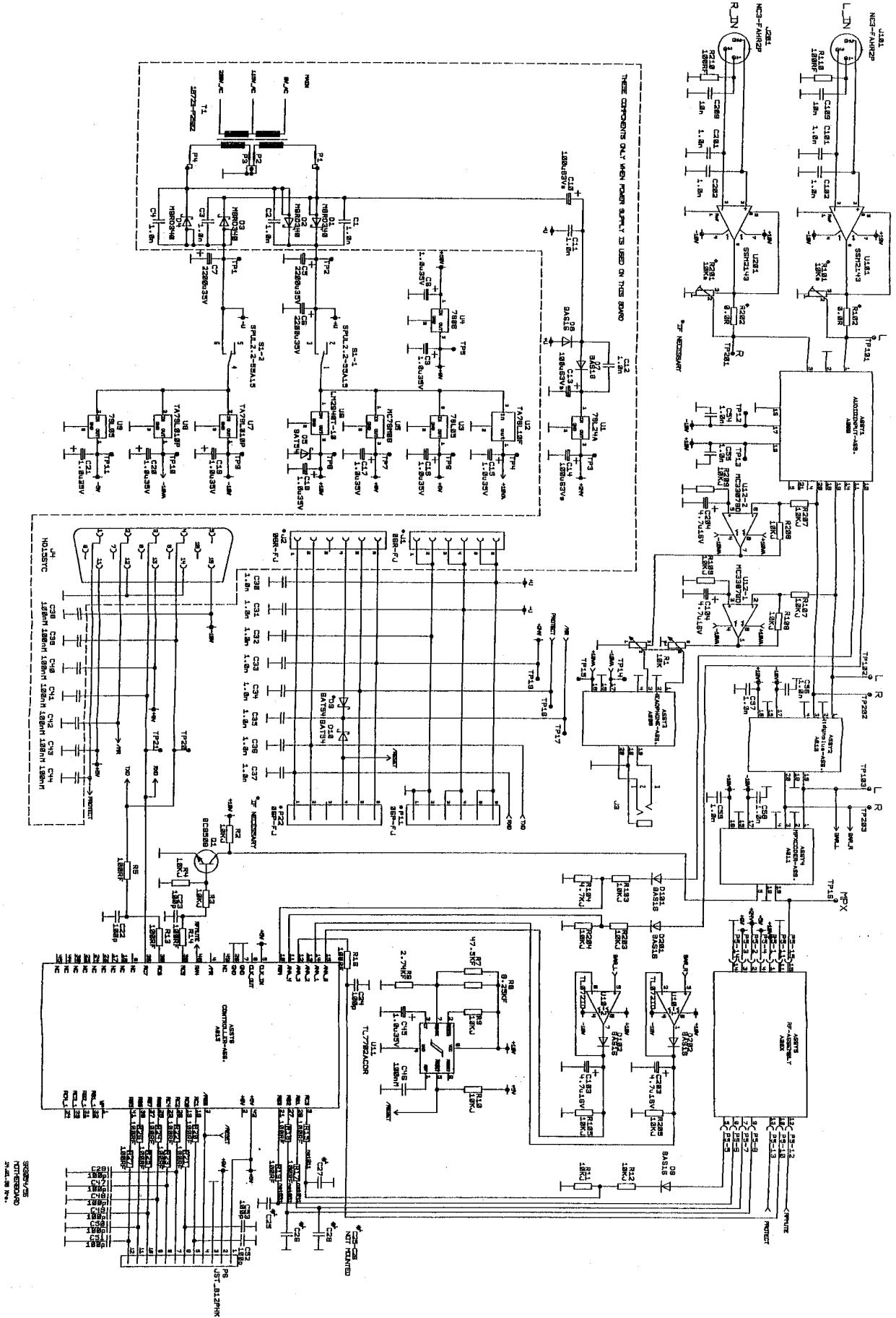
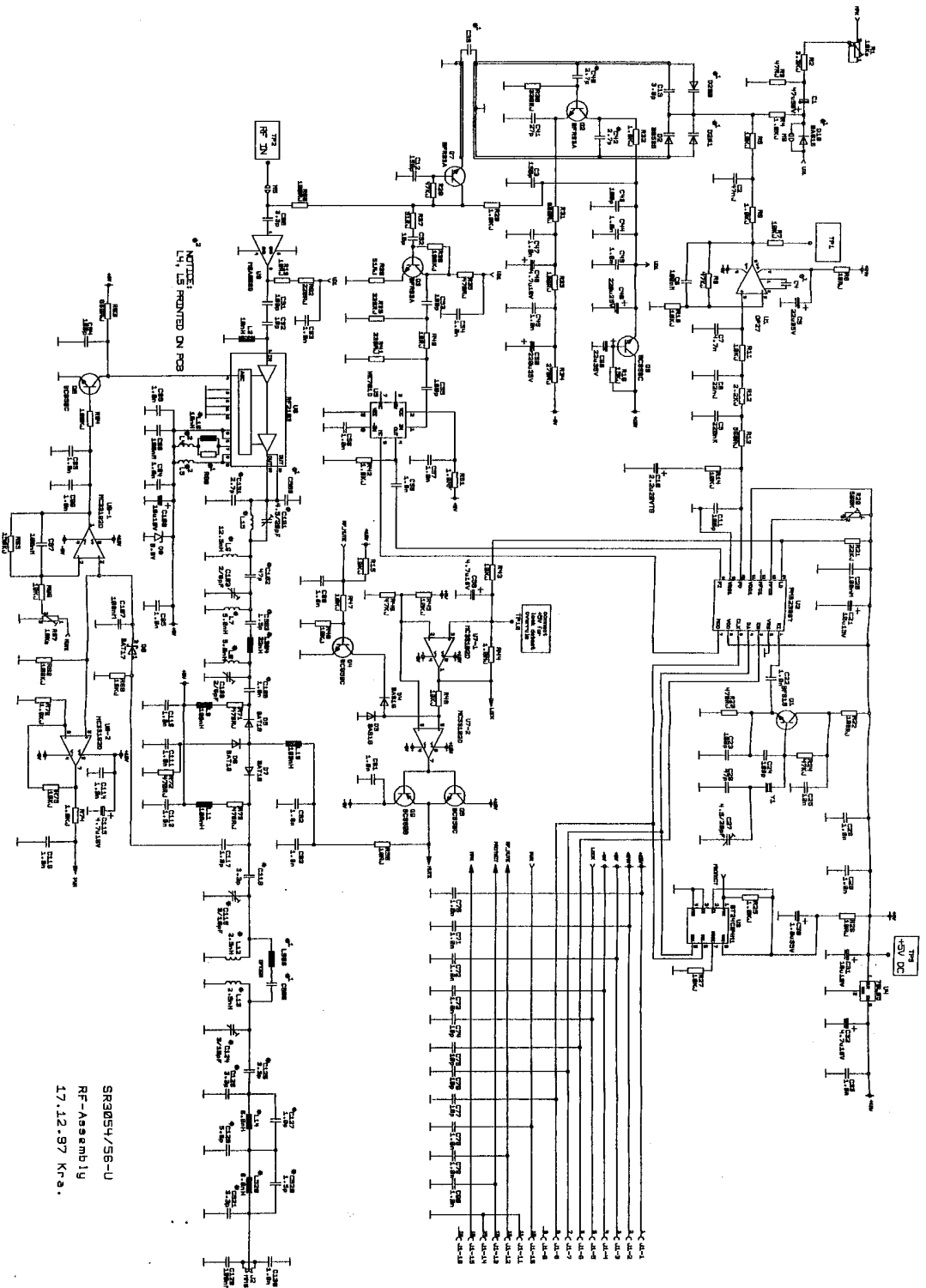


425-960MHZ
 PART-NO.
 73349
 73341

Bei Änderungen der mit (SMT) gekennzeichneten Bauteile sind die Angaben in der Tabelle zu ändern. If these marked (SMT) are changed, the data in the table must be notified. (If Development-Support) must be notified.		Allgemeinreferenzen / General References		Für diese Zeichnung benennen wir uns die Rechte vor / All rights reserved.	
AD-Zeichnung/CAD drawing	Folial A3/A4 paper size	Datum/Date		Name	
0.1	0.1	4/11/96	24.04.1998	Del	Del
Änderung / Modification	Datum / Date	Name	Urspr. / Based on:	Bauhöhe / Series	
				SR3054 / SR3056	
ZUR INFORMATION			Zeichnungsnummer / Drawing number		
BLOCK DIAGRAM			76238		
SR3054			76238		
Replaces:			Replaced by:		
Kritik, Maßstab, Änderungsvermerk			Kritik, Maßstab, Änderungsvermerk		



REVISIONS
 1. INITIAL DESIGN
 2. REVISED
 3. REVISED
 4. REVISED
 5. REVISED
 6. REVISED
 7. REVISED
 8. REVISED
 9. REVISED
 10. REVISED
 11. REVISED
 12. REVISED
 13. REVISED
 14. REVISED
 15. REVISED
 16. REVISED
 17. REVISED
 18. REVISED
 19. REVISED
 20. REVISED

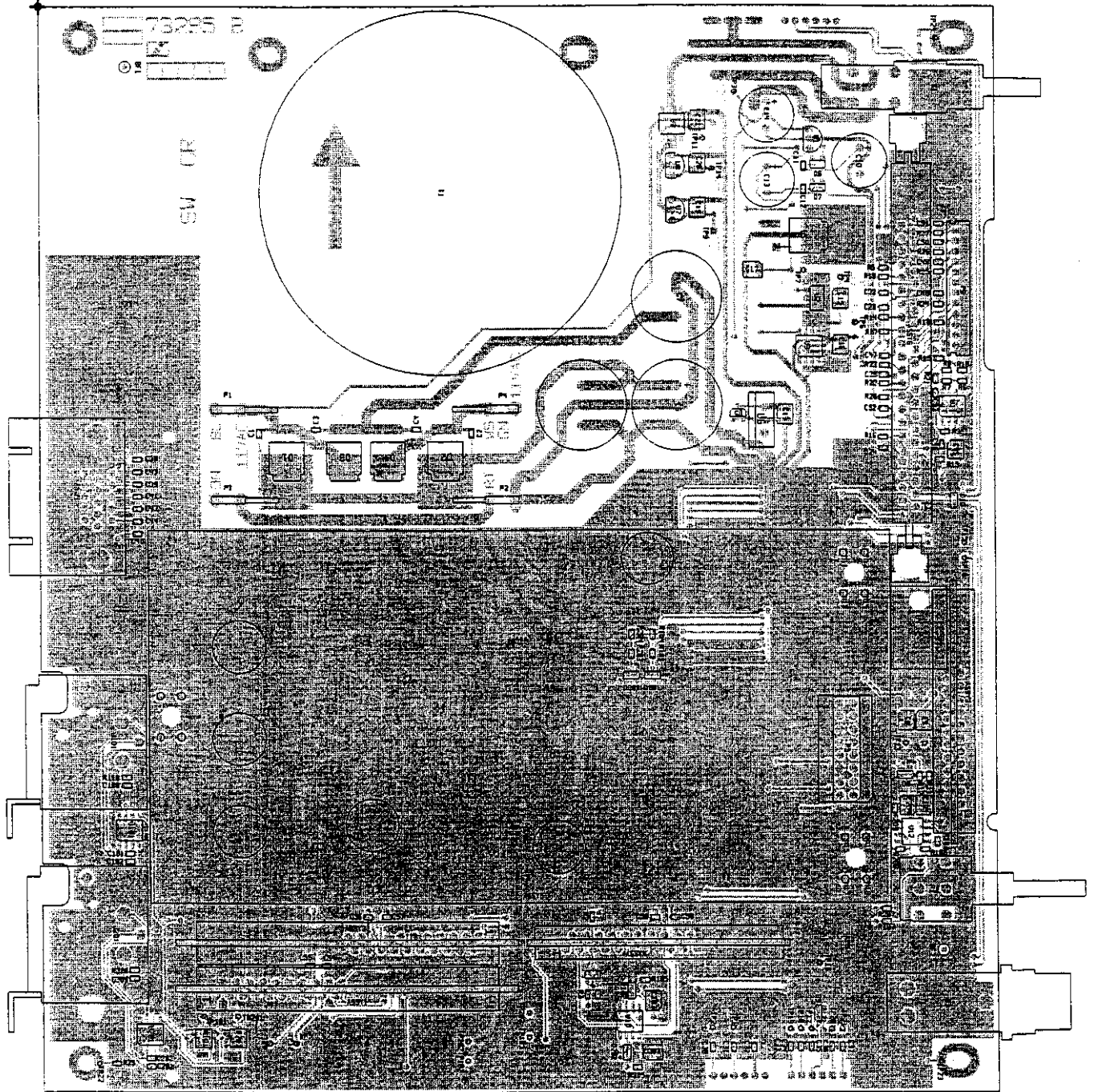


VARIBLE PARTS SHOWN 825-720MHz (RANGE 3)

RANGE	FREQUENCY	C12	R80A	C14	C16	C20	C22	C24	C26	C28	C30	C32	C34	C36	C38	C40	C42	C44	C46	C48	C50	C52	C54	C56	C58	C60	C62	C64	C66	C68	C70	C72	C74	C76	C78	C80	C82	C84	C86	C88	C90	C92	C94	C96	C98	C100	C102	C104	C106	C108	C110	C112	C114	C116	C118	C120	C122	C124	C126	C128	C130	C132	C134	C136	C138	C140	C142	C144	C146	C148	C150	C152	C154	C156	C158	C160	C162	C164	C166	C168	C170	C172	C174	C176	C178	C180	C182	C184	C186	C188	C190	C192	C194	C196	C198	C200	C202	C204	C206	C208	C210	C212	C214	C216	C218	C220	C222	C224	C226	C228	C230	C232	C234	C236	C238	C240	C242	C244	C246	C248	C250	C252	C254	C256	C258	C260	C262	C264	C266	C268	C270	C272	C274	C276	C278	C280	C282	C284	C286	C288	C290	C292	C294	C296	C298	C300	C302	C304	C306	C308	C310	C312	C314	C316	C318	C320	C322	C324	C326	C328	C330	C332	C334	C336	C338	C340	C342	C344	C346	C348	C350	C352	C354	C356	C358	C360	C362	C364	C366	C368	C370	C372	C374	C376	C378	C380	C382	C384	C386	C388	C390	C392	C394	C396	C398	C400	C402	C404	C406	C408	C410	C412	C414	C416	C418	C420	C422	C424	C426	C428	C430	C432	C434	C436	C438	C440	C442	C444	C446	C448	C450	C452	C454	C456	C458	C460	C462	C464	C466	C468	C470	C472	C474	C476	C478	C480	C482	C484	C486	C488	C490	C492	C494	C496	C498	C500	C502	C504	C506	C508	C510	C512	C514	C516	C518	C520	C522	C524	C526	C528	C530	C532	C534	C536	C538	C540	C542	C544	C546	C548	C550	C552	C554	C556	C558	C560	C562	C564	C566	C568	C570	C572	C574	C576	C578	C580	C582	C584	C586	C588	C590	C592	C594	C596	C598	C600	C602	C604	C606	C608	C610	C612	C614	C616	C618	C620	C622	C624	C626	C628	C630	C632	C634	C636	C638	C640	C642	C644	C646	C648	C650	C652	C654	C656	C658	C660	C662	C664	C666	C668	C670	C672	C674	C676	C678	C680	C682	C684	C686	C688	C690	C692	C694	C696	C698	C700	C702	C704	C706	C708	C710	C712	C714	C716	C718	C720	C722	C724	C726	C728	C730	C732	C734	C736	C738	C740	C742	C744	C746	C748	C750	C752	C754	C756	C758	C760	C762	C764	C766	C768	C770	C772	C774	C776	C778	C780	C782	C784	C786	C788	C790	C792	C794	C796	C798	C800	C802	C804	C806	C808	C810	C812	C814	C816	C818	C820	C822	C824	C826	C828	C830	C832	C834	C836	C838	C840	C842	C844	C846	C848	C850	C852	C854	C856	C858	C860	C862	C864	C866	C868	C870	C872	C874	C876	C878	C880	C882	C884	C886	C888	C890	C892	C894	C896	C898	C900	C902	C904	C906	C908	C910	C912	C914	C916	C918	C920	C922	C924	C926	C928	C930	C932	C934	C936	C938	C940	C942	C944	C946	C948	C950	C952	C954	C956	C958	C960	C962	C964	C966	C968	C970	C972	C974	C976	C978	C980	C982	C984	C986	C988	C990	C992	C994	C996	C998	C1000
-------	-----------	-----	------	-----	-----	-----	-----	-----	-----	-----	-----	-----	-----	-----	-----	-----	-----	-----	-----	-----	-----	-----	-----	-----	-----	-----	-----	-----	-----	-----	-----	-----	-----	-----	-----	-----	-----	-----	-----	-----	-----	-----	-----	-----	-----	------	------	------	------	------	------	------	------	------	------	------	------	------	------	------	------	------	------	------	------	------	------	------	------	------	------	------	------	------	------	------	------	------	------	------	------	------	------	------	------	------	------	------	------	------	------	------	------	------	------	------	------	------	------	------	------	------	------	------	------	------	------	------	------	------	------	------	------	------	------	------	------	------	------	------	------	------	------	------	------	------	------	------	------	------	------	------	------	------	------	------	------	------	------	------	------	------	------	------	------	------	------	------	------	------	------	------	------	------	------	------	------	------	------	------	------	------	------	------	------	------	------	------	------	------	------	------	------	------	------	------	------	------	------	------	------	------	------	------	------	------	------	------	------	------	------	------	------	------	------	------	------	------	------	------	------	------	------	------	------	------	------	------	------	------	------	------	------	------	------	------	------	------	------	------	------	------	------	------	------	------	------	------	------	------	------	------	------	------	------	------	------	------	------	------	------	------	------	------	------	------	------	------	------	------	------	------	------	------	------	------	------	------	------	------	------	------	------	------	------	------	------	------	------	------	------	------	------	------	------	------	------	------	------	------	------	------	------	------	------	------	------	------	------	------	------	------	------	------	------	------	------	------	------	------	------	------	------	------	------	------	------	------	------	------	------	------	------	------	------	------	------	------	------	------	------	------	------	------	------	------	------	------	------	------	------	------	------	------	------	------	------	------	------	------	------	------	------	------	------	------	------	------	------	------	------	------	------	------	------	------	------	------	------	------	------	------	------	------	------	------	------	------	------	------	------	------	------	------	------	------	------	------	------	------	------	------	------	------	------	------	------	------	------	------	------	------	------	------	------	------	------	------	------	------	------	------	------	------	------	------	------	------	------	------	------	------	------	------	------	------	------	------	------	------	------	------	------	------	------	------	------	------	------	------	------	------	------	------	------	------	------	------	------	------	------	------	------	------	------	------	------	------	------	------	------	------	------	------	------	------	------	------	------	------	------	------	------	------	------	------	------	------	------	------	------	------	------	------	------	------	------	------	------	------	------	------	------	------	------	------	------	------	------	------	------	------	------	------	------	-------

ALTERATIONS OF THESE STANDARD VALUES FOR OPTIMAL ALIGNMENT ARE POSSIBLE.

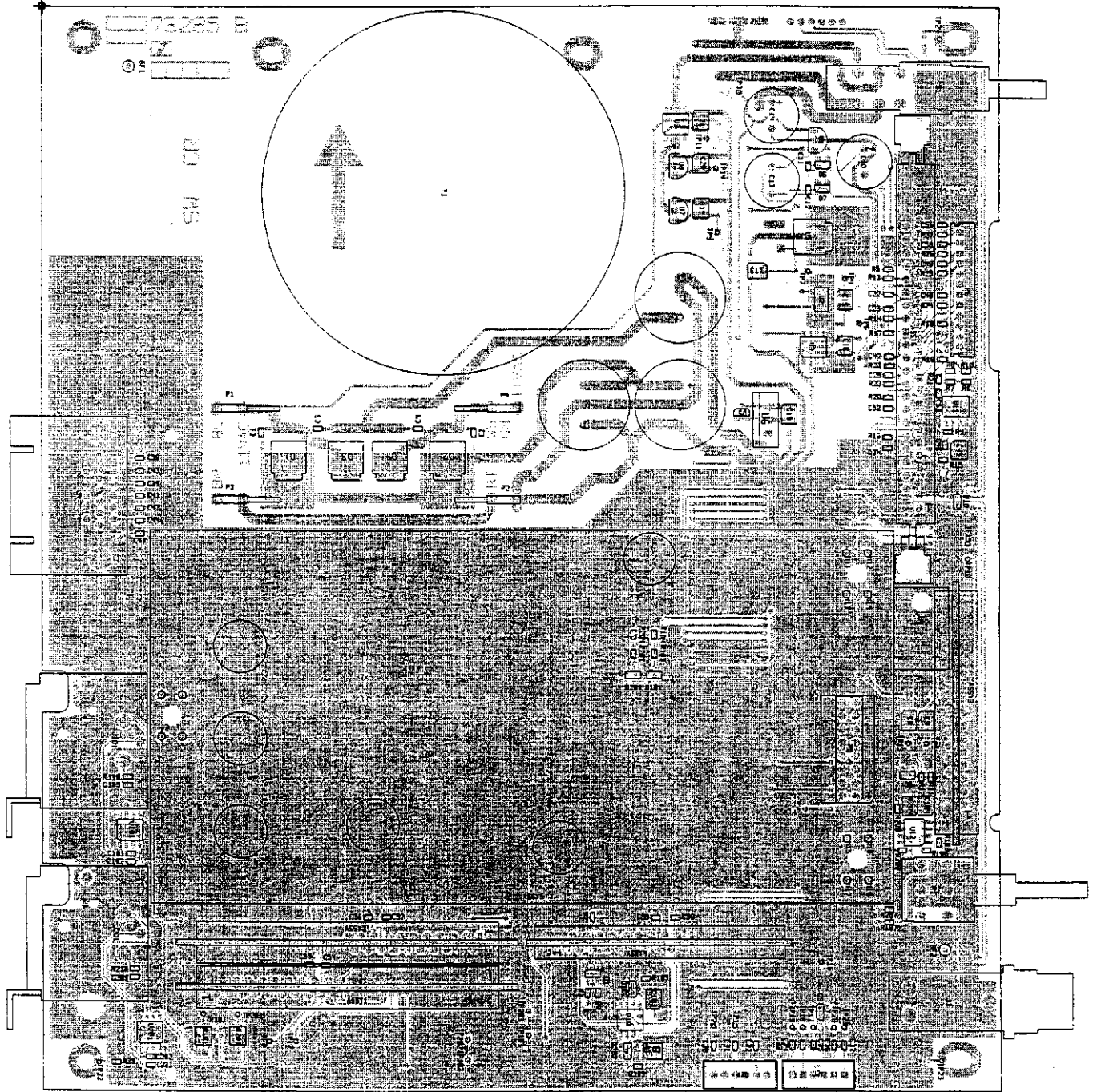
SR3054 u
Eingelsender m. N
Bauteile B-Seite
LP Best. 74 195
LP SMD Best. 74 196
19.00

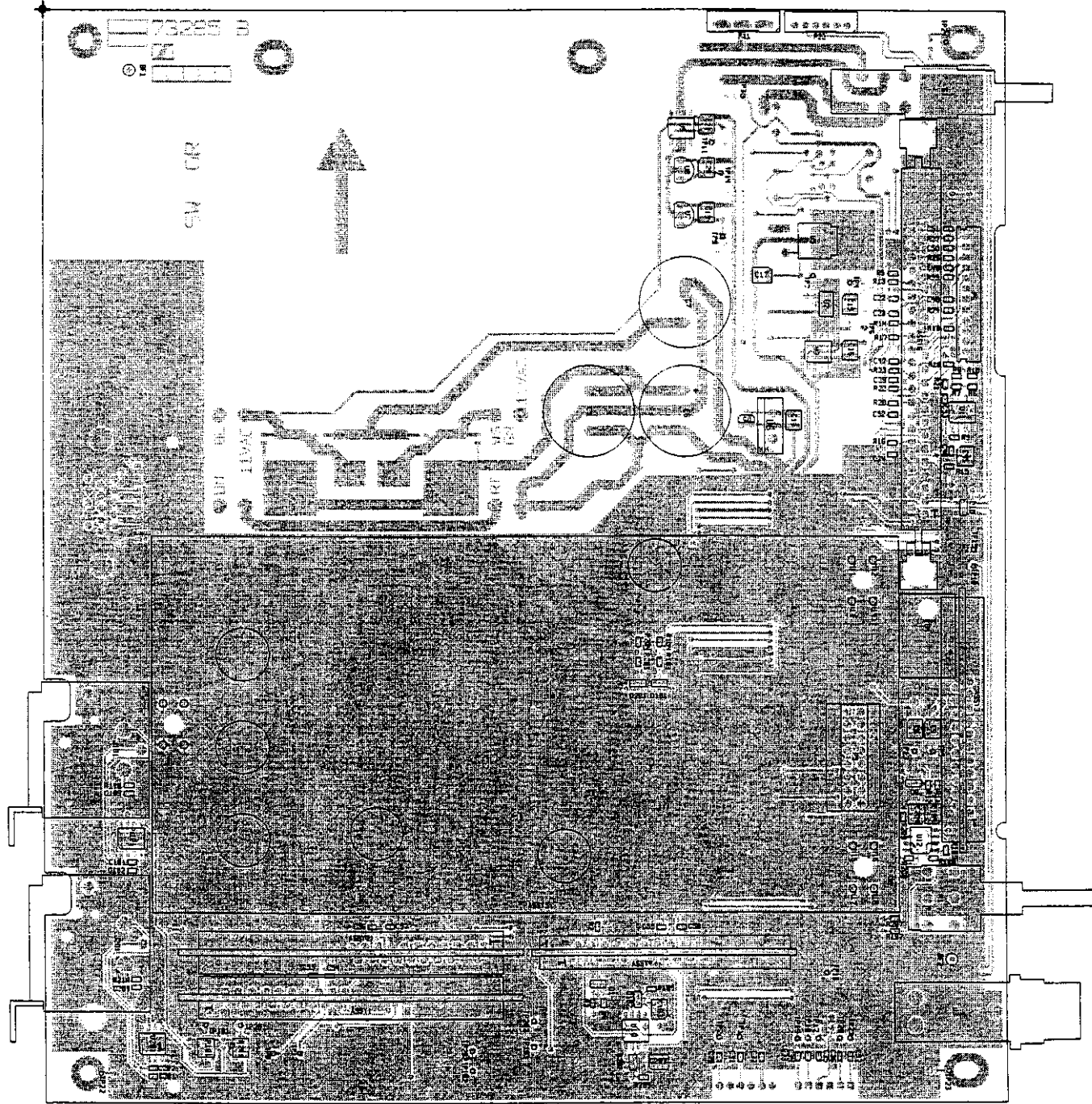


SR3056 U

Doppelsender m. N
Bauliste 8-Seite
LP Best. 74 193
LP SKD Best. 74196

19.





SR3056U

Doppelender o. N

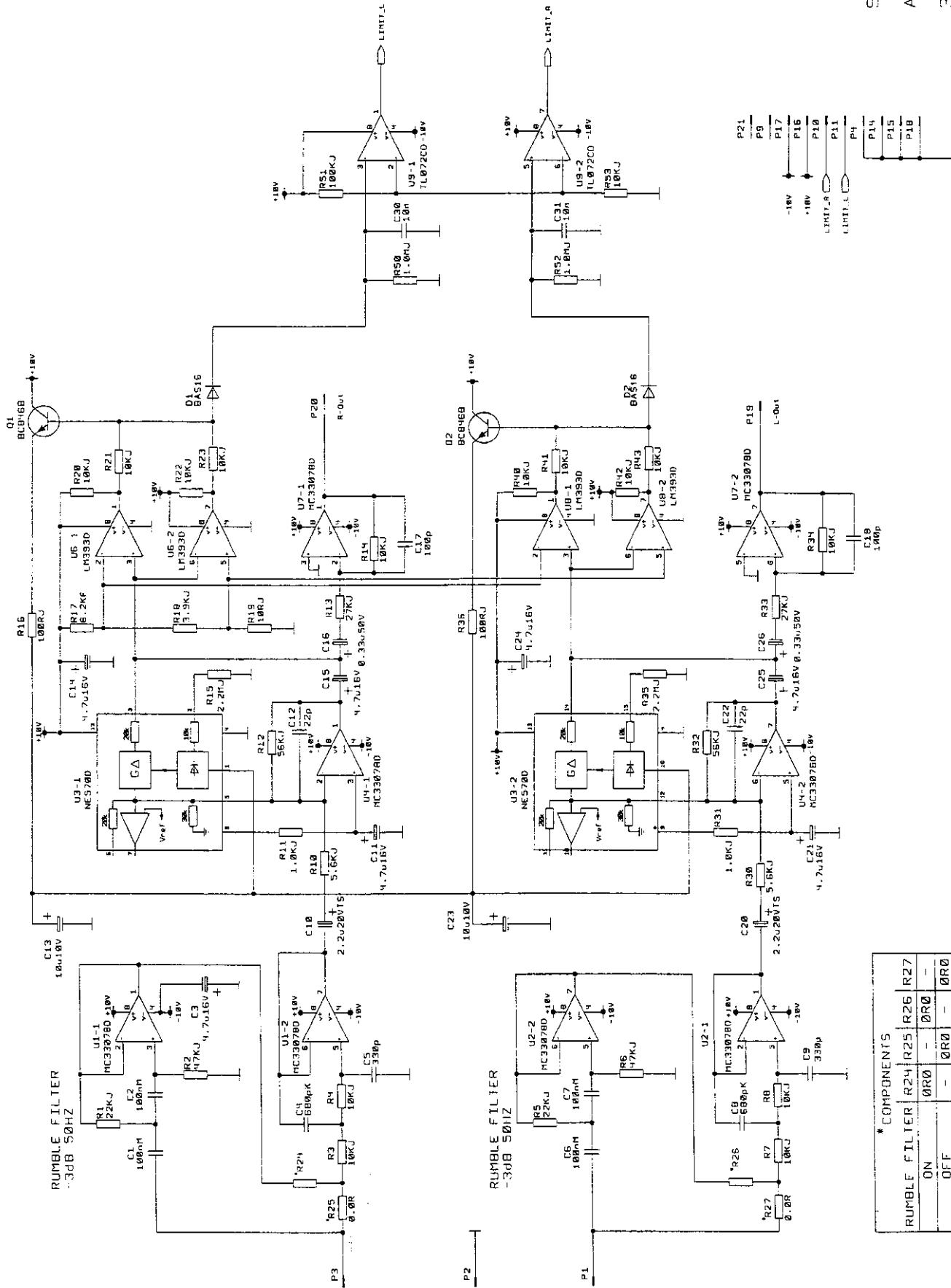
Bauplate 3-5a1e

LP Best. 74194

LP SMD Best. 7419

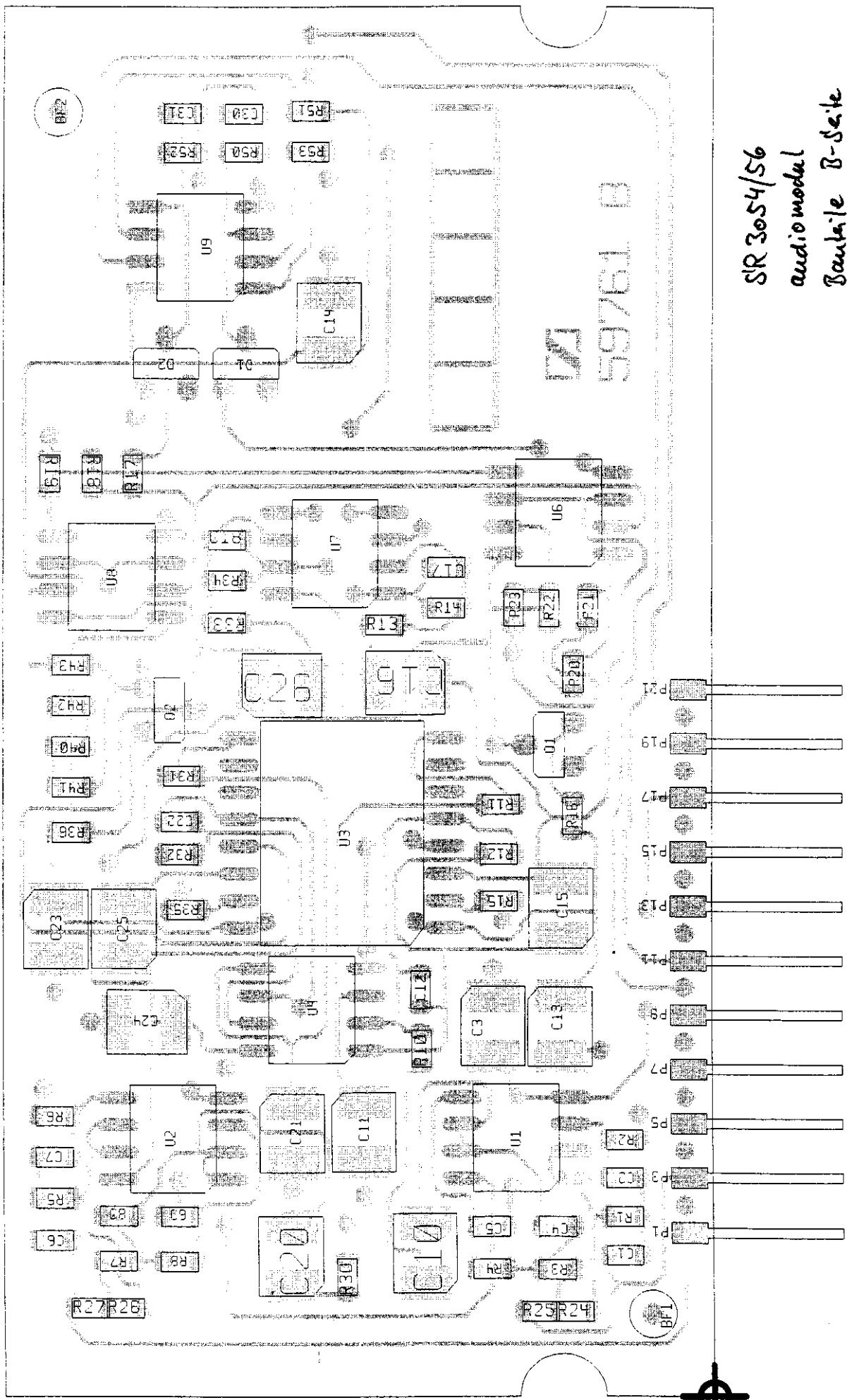
48

BROADBAND LIMITER



SR3054/56
Audiomodul
30.10.97 Pr.I

* COMPONENTS				
RUMBLE FILTER	R24	R25	R26	R27
ON	0R0	-	0R0	-
OFF	-	0R0	-	0R0

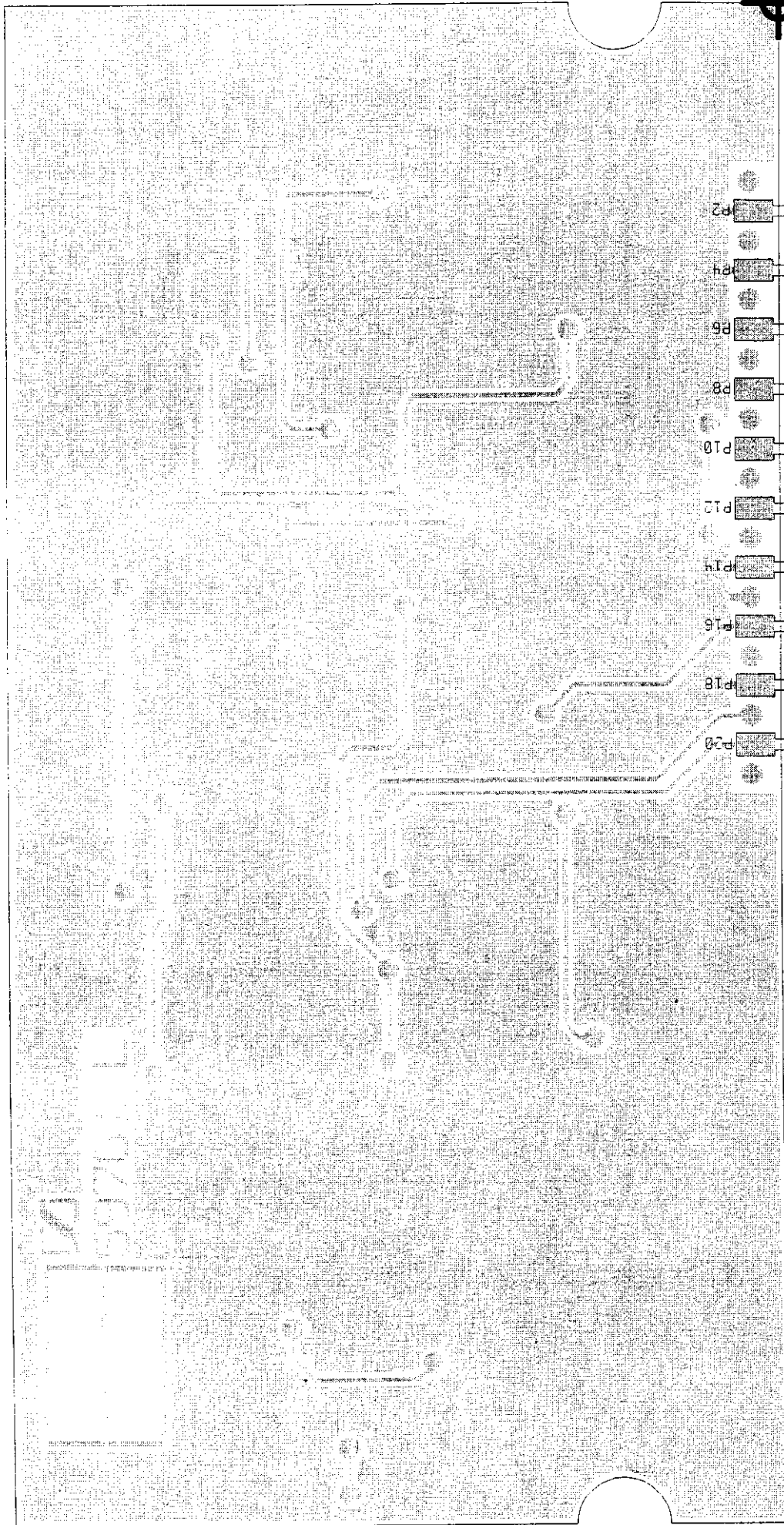


SR 3054/56

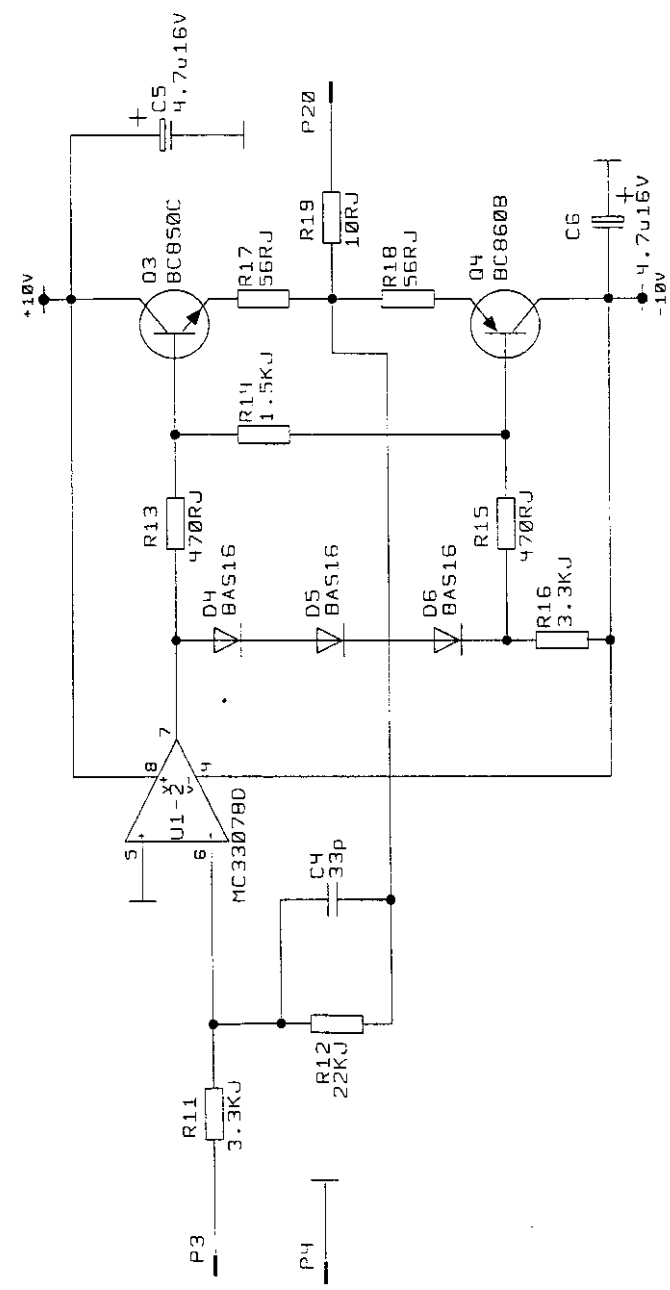
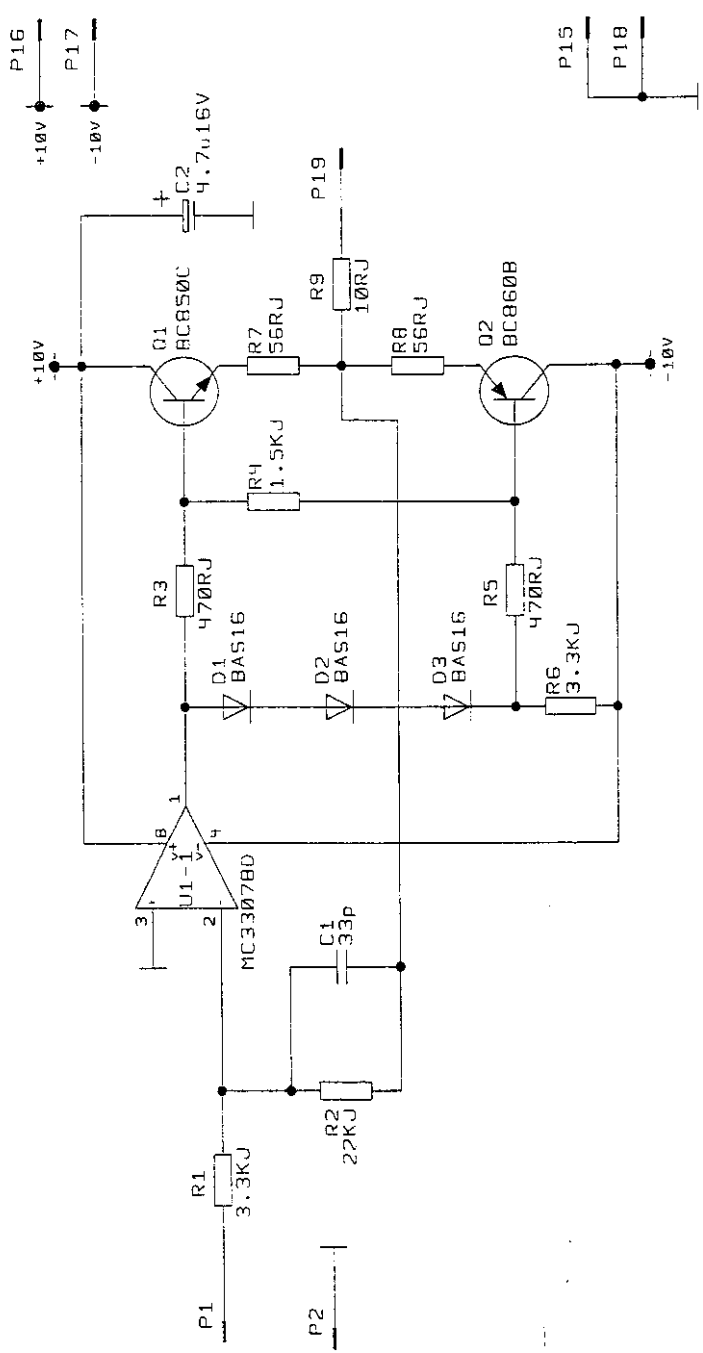
audiomodal

Baukarte B-Seite

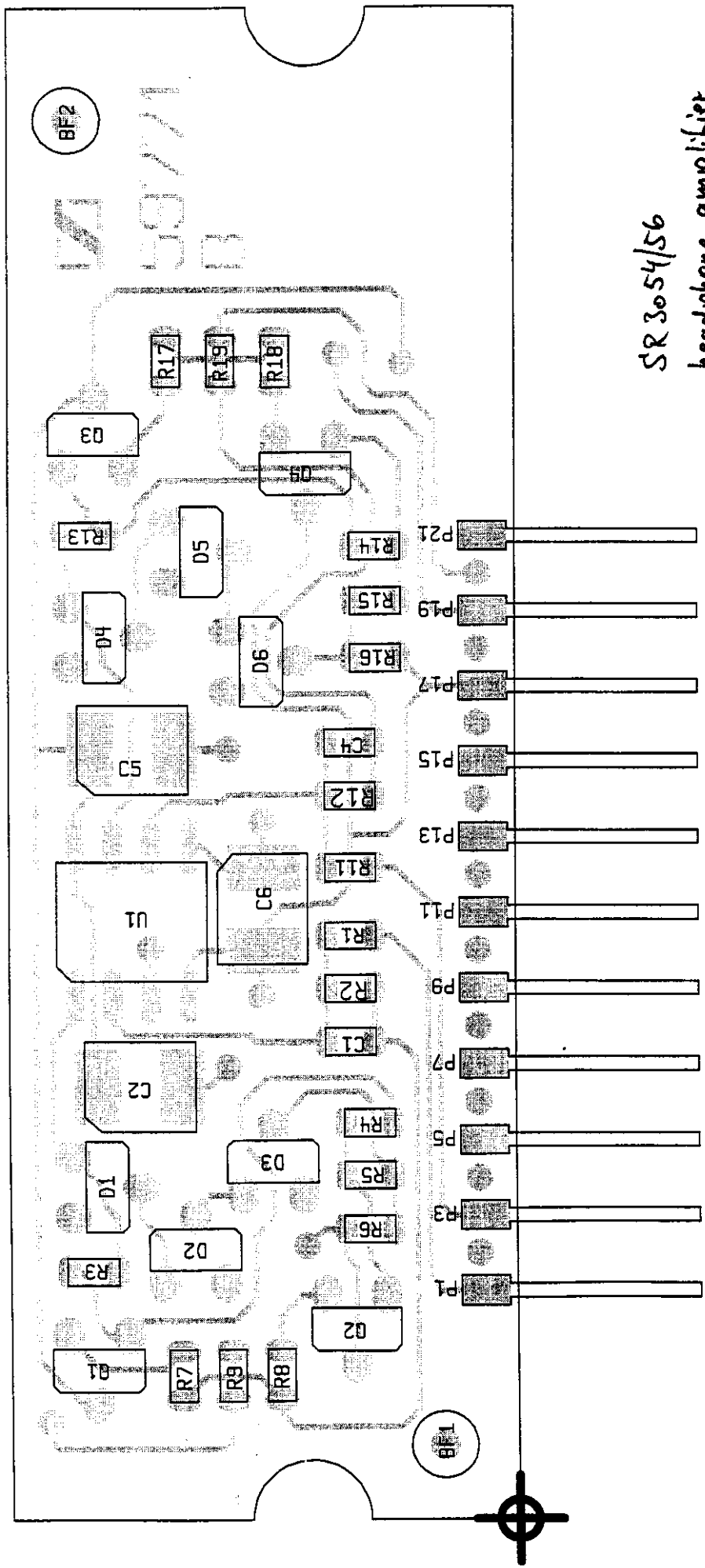
30.10.97 km.



SR3054/56
audio modul
Bauteile L-Seite
30.10.97
kfr



SR3054/56
headphone amplifier
Ø5.05.97 Kra.

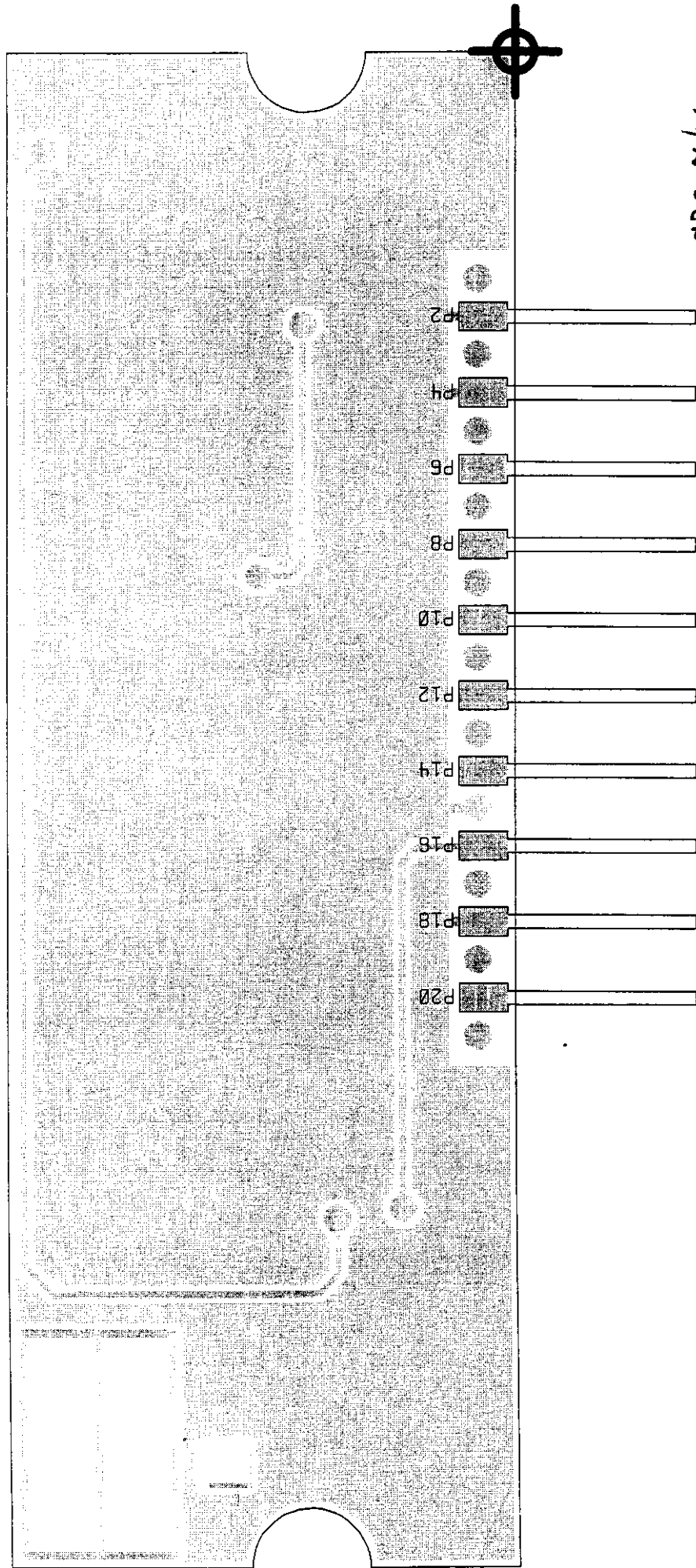


SR 3054/56

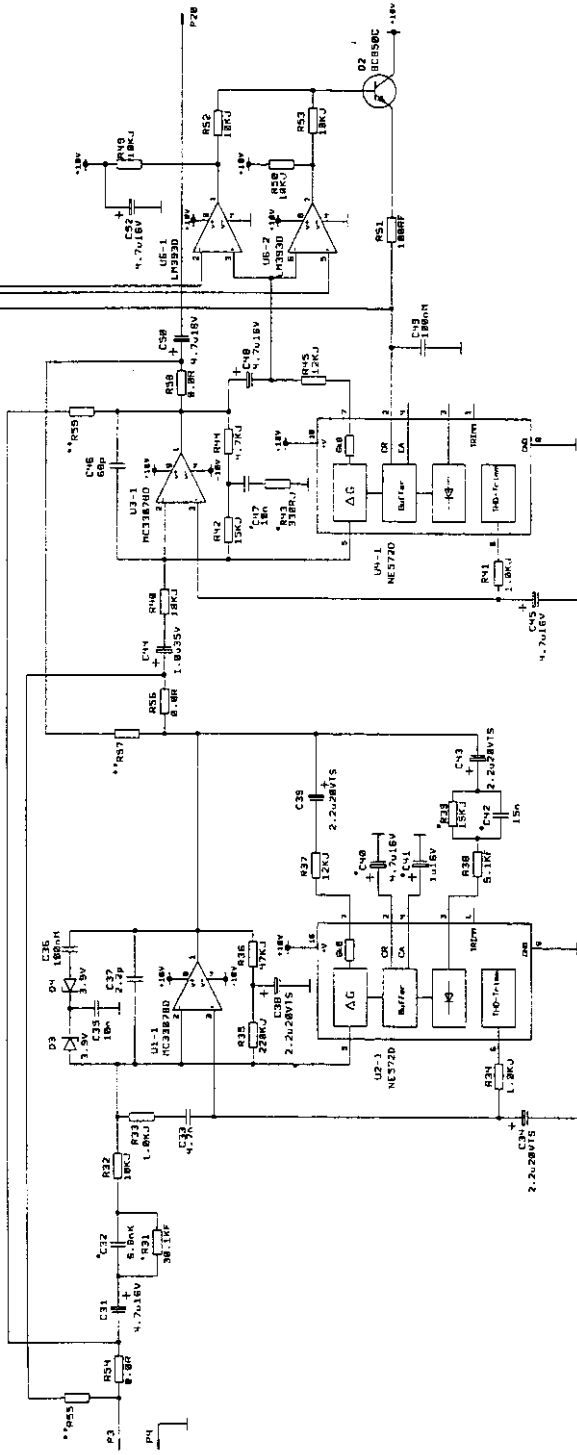
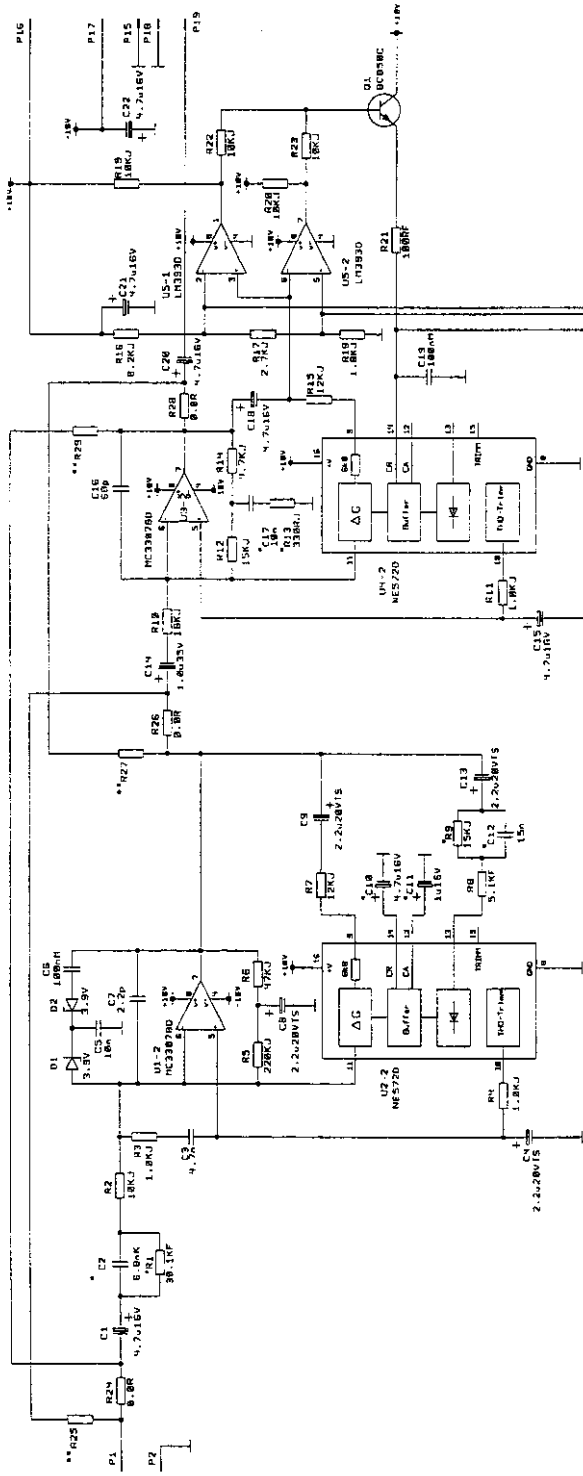
headphone amplifier

Baukarte 3-Seite

S. 5. 97 km.



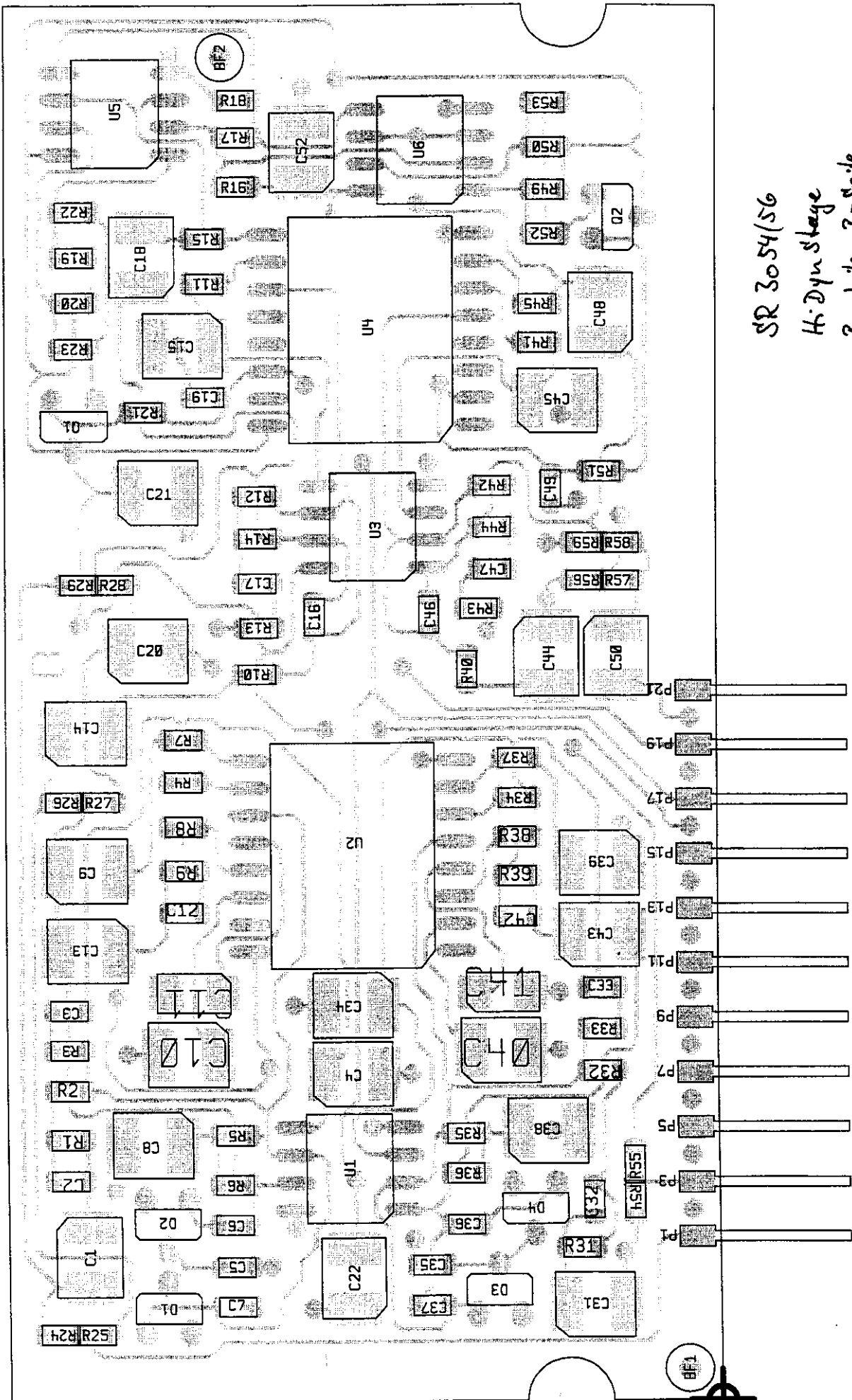
SR 3054/56
headphone amplifier
Bantale L-Sate
S.S. 97/198.



SR3054/56
HIDyn Stage
06.11.97 Pr1

** not mounted: R25 R55
R27 R57
R29 R59

*COMPONENTS									
C10	C11	C2	C12	C17	R13	R1	R8	R9	R39
C40	C41	C32	C42	C47	R43	R31	R31	R31	R31
HIDyn	"STAGE"	4μ7	1μ0	6n8	15n	-	30K1	15K	
HIDyn plus		2μ2	0μ47	4n7	10n	10n	330R	68K	33K



SR 3054/56
 Hi-Dyn Stage
 Banville 3-Serial

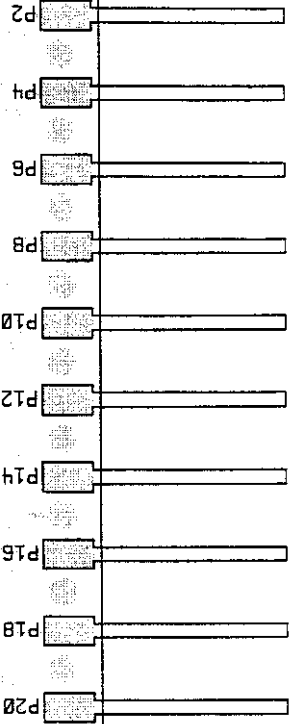
6.11.97
 Kna.

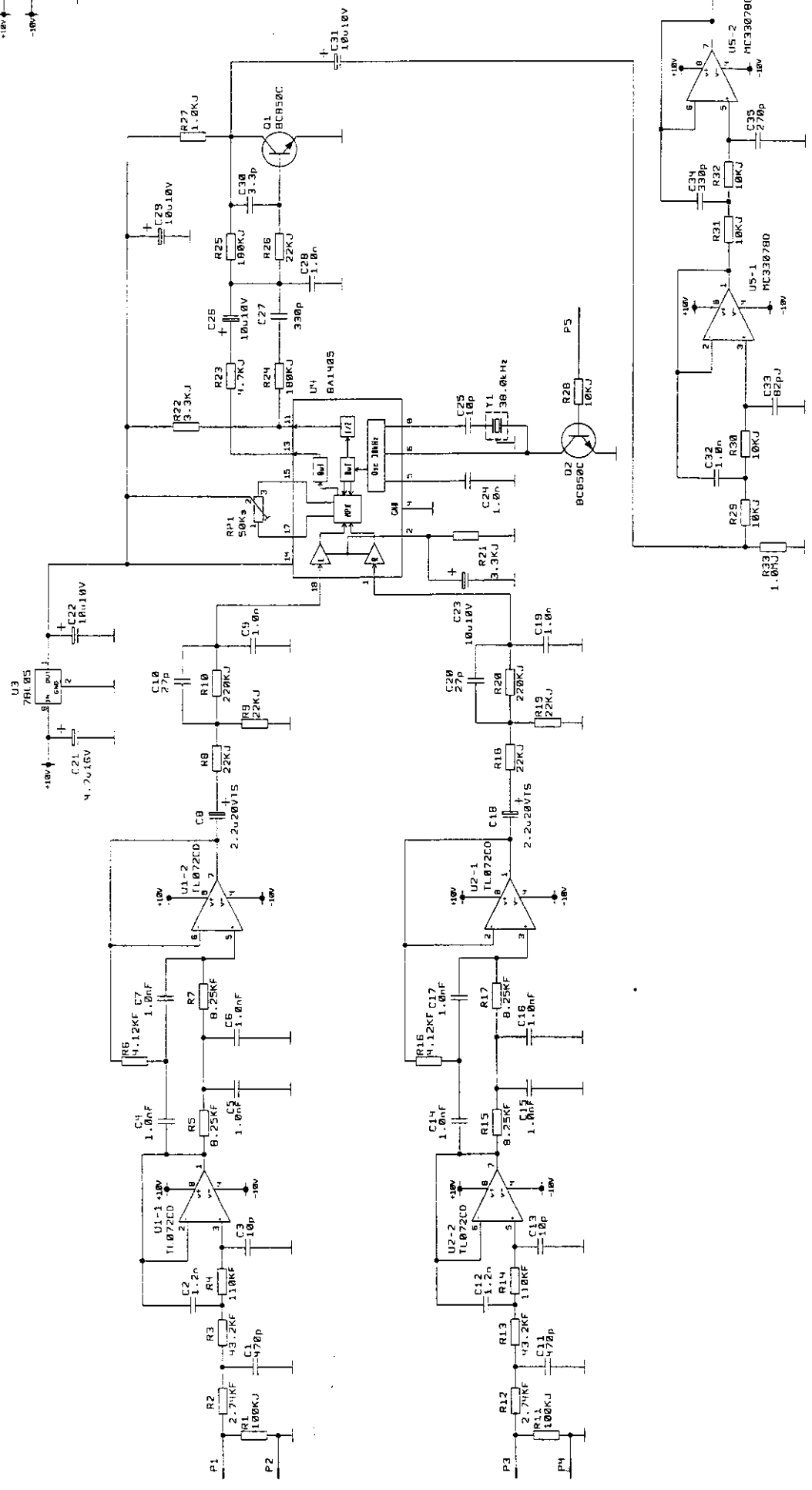
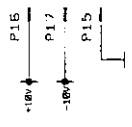
SR3054/56

Hi-Dyn Stage

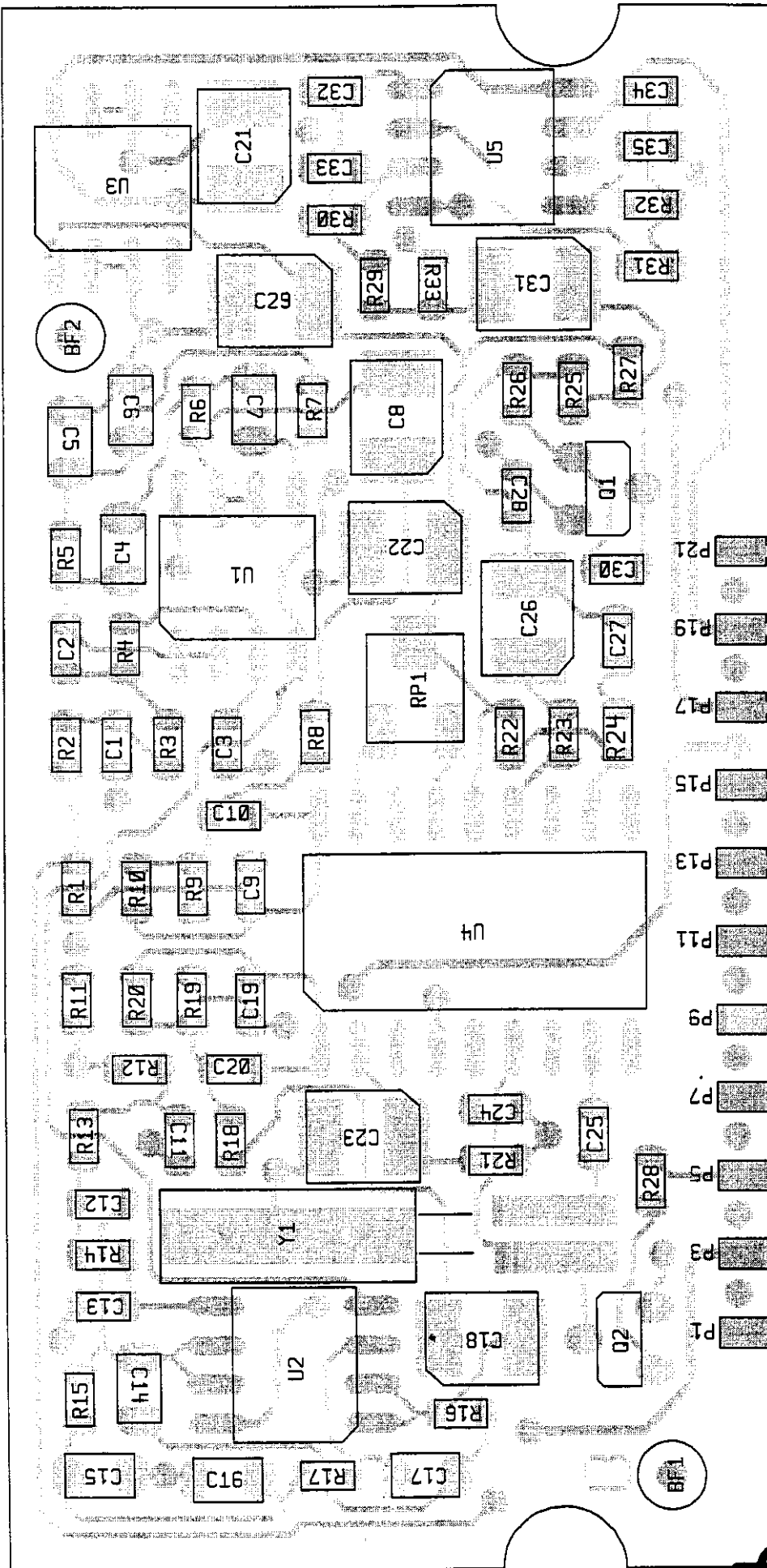
Baudville L-Seite

6.11.11





SR3054/56
 MPXCODER
 18.11.97 Pr-1



SR3054/56

mpx coder

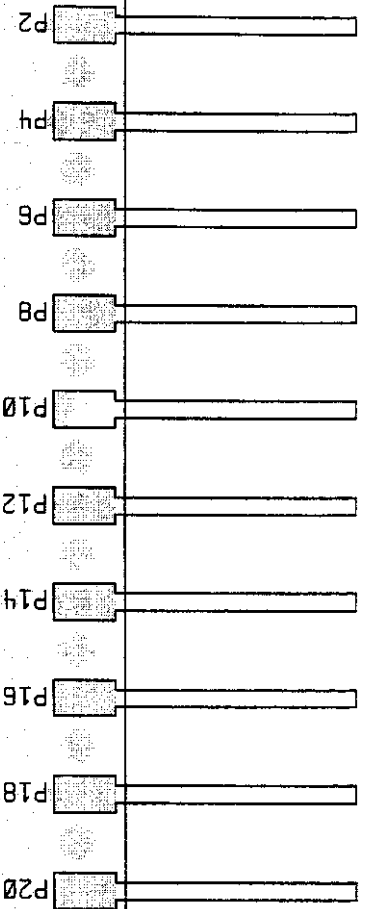
Bentley 3-Set

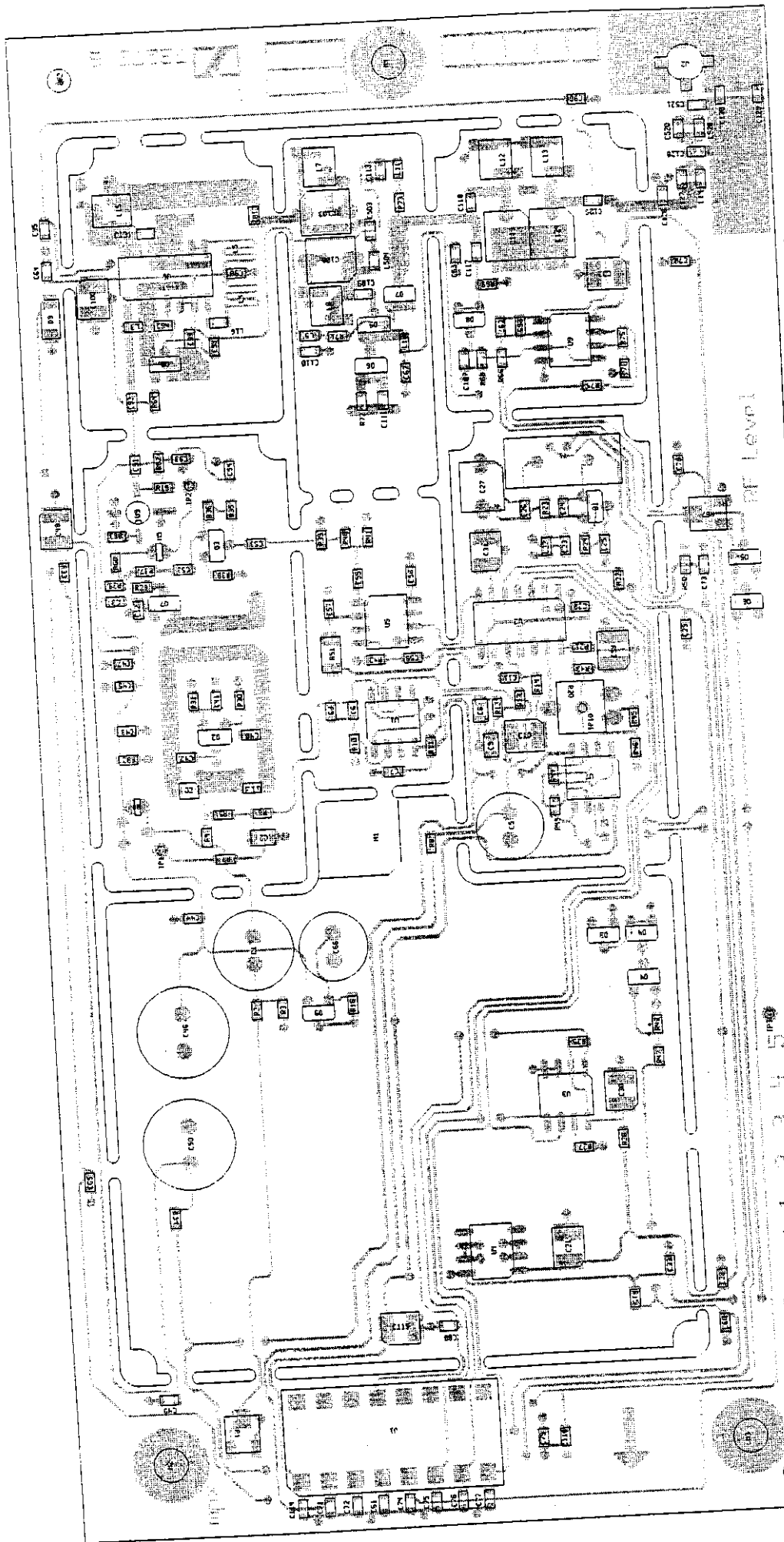
18.11.97 Kra.



SR3054/56
mpx coder
Bentley L-Seib

18.11.97 k10.





SR 3054/56

→ modul, Bereich 1 (425-550 MHz)

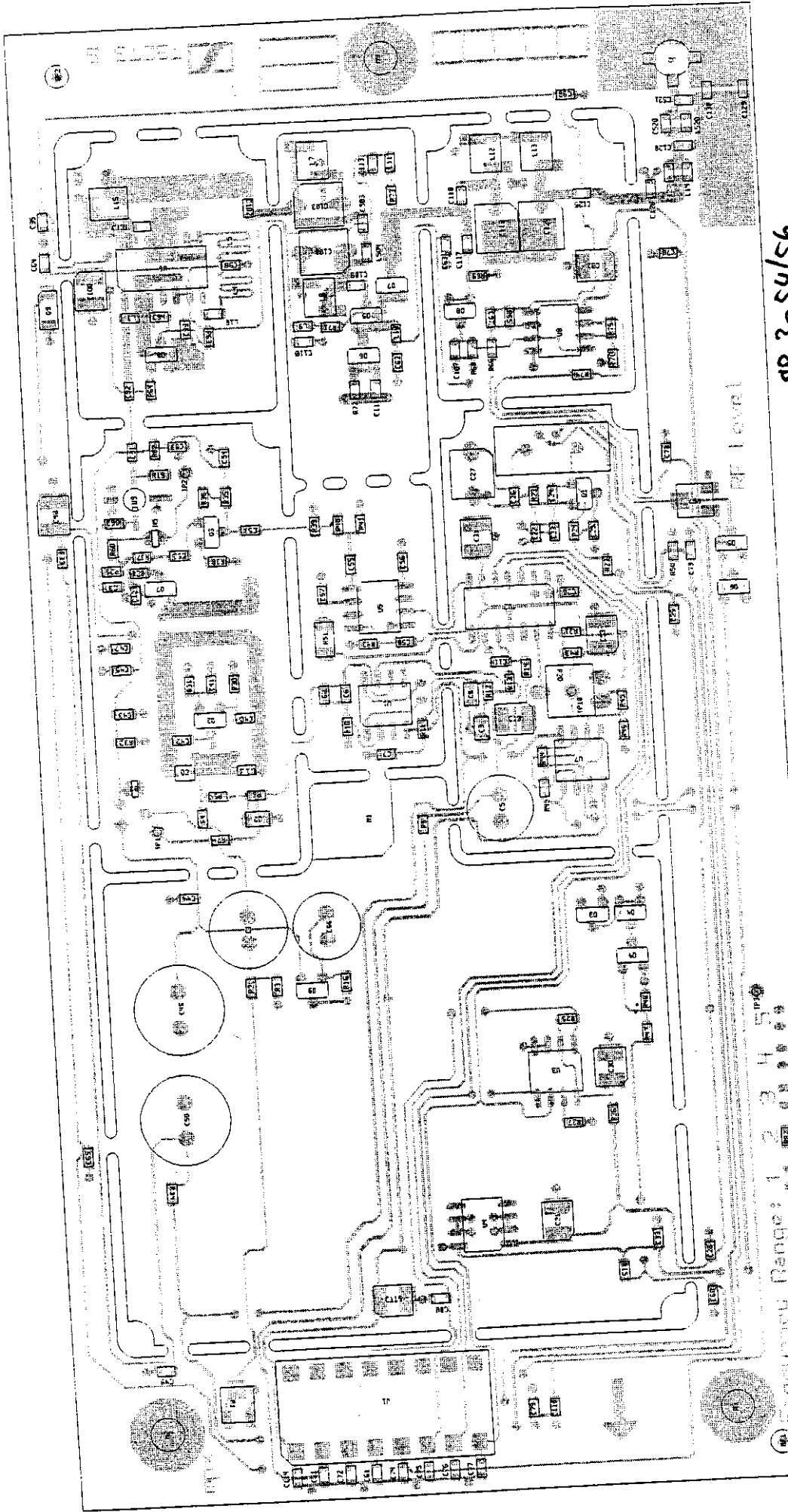
Bauteile B-Seite Ausg. 7

LP SHD BEST. 73775

18.12.97

166

Frequency Range: 1 2 3 4 5



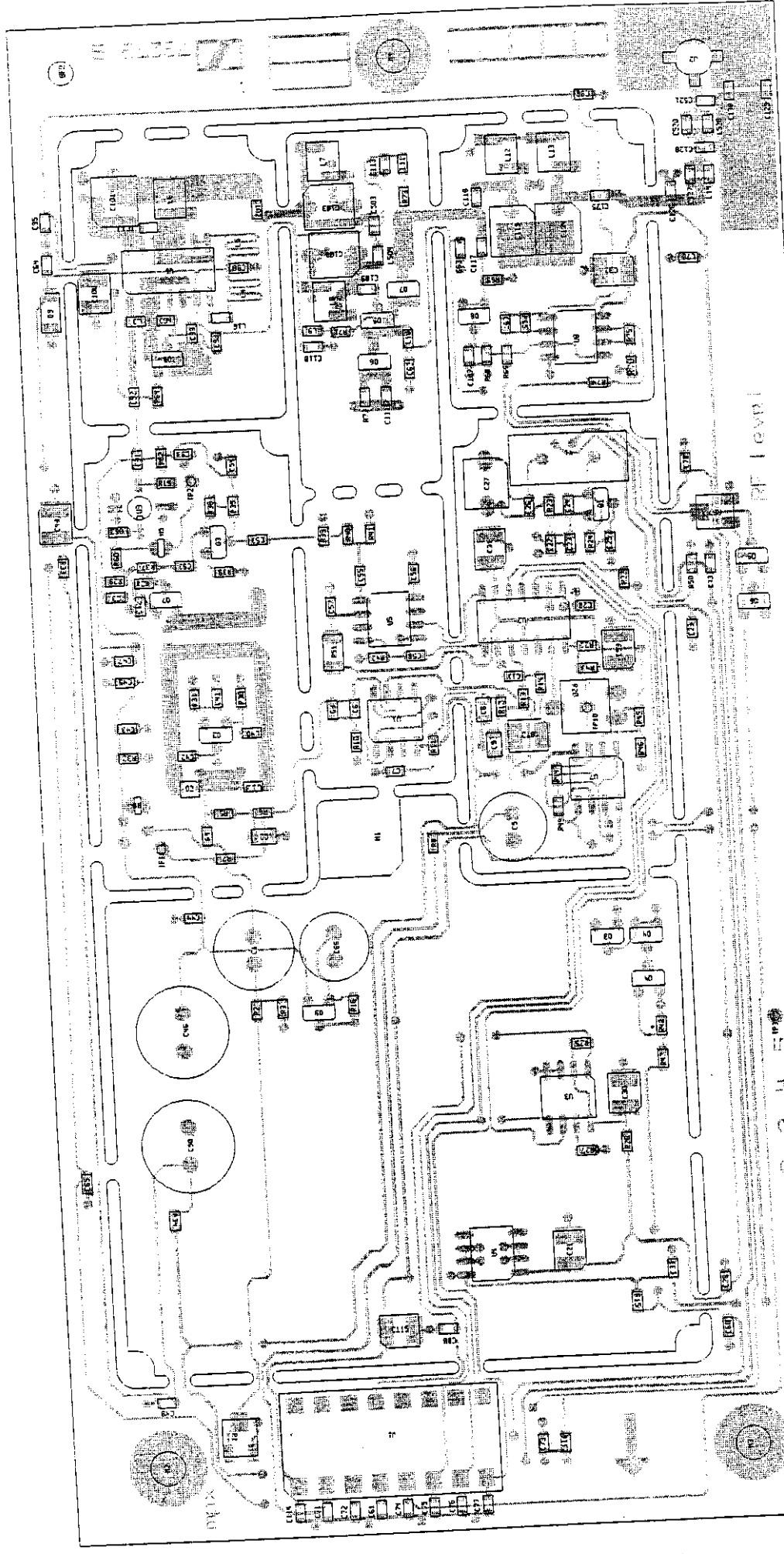
SR 3054/56

Hfmodal, Bereich 2 (52S-60KHz)
 Bauteile B-Seite Ausg. 7

LP SKD BEST. 73776

18.12.97
 KOB.

Frequency Range: 1 2 3 4 5 m



SR 3054156

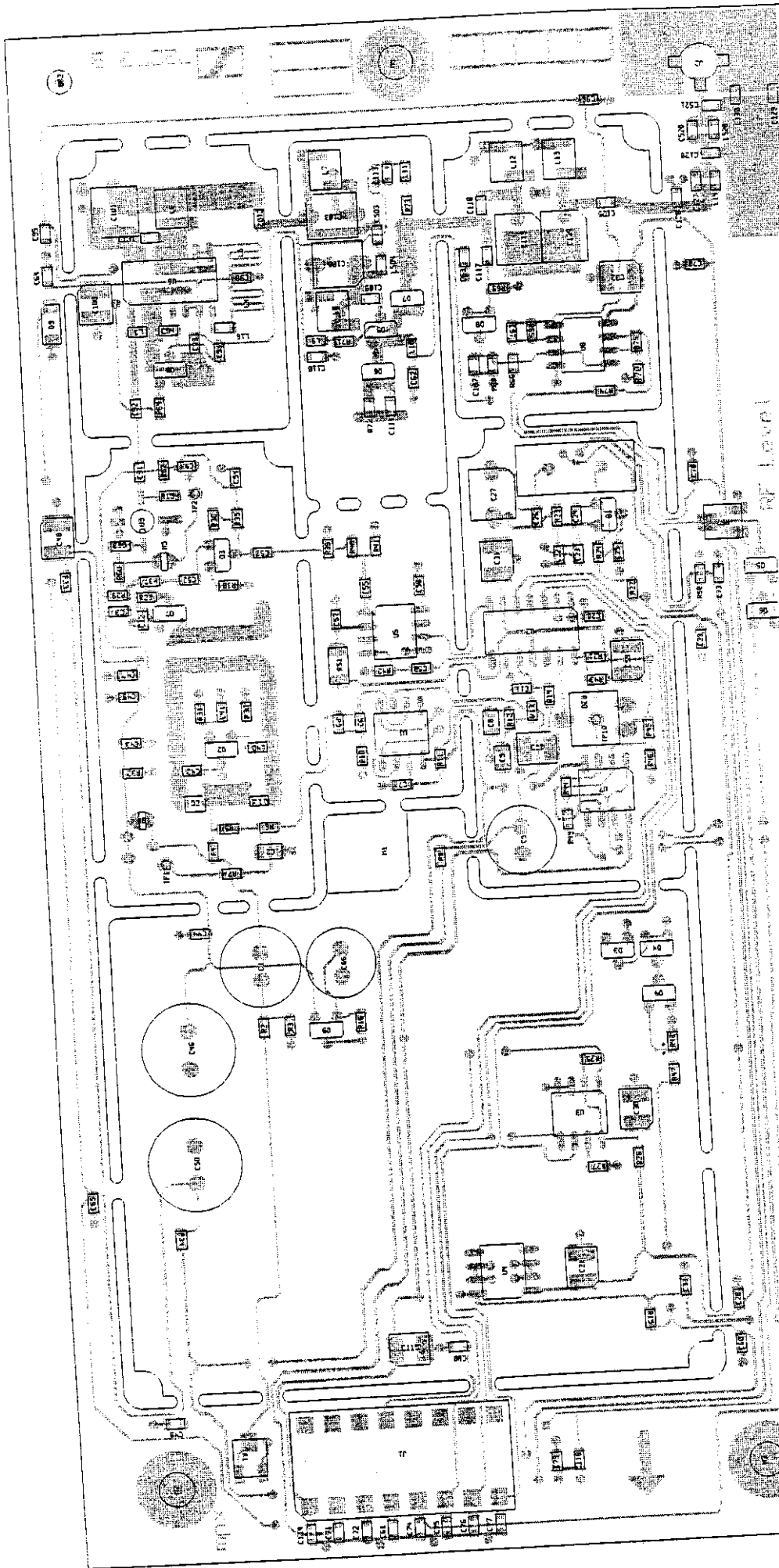
RF modul, Bereich 3 (625-750 MHz)

Banknote B-Seite Prototyp.

LP SMD BEST. 73777

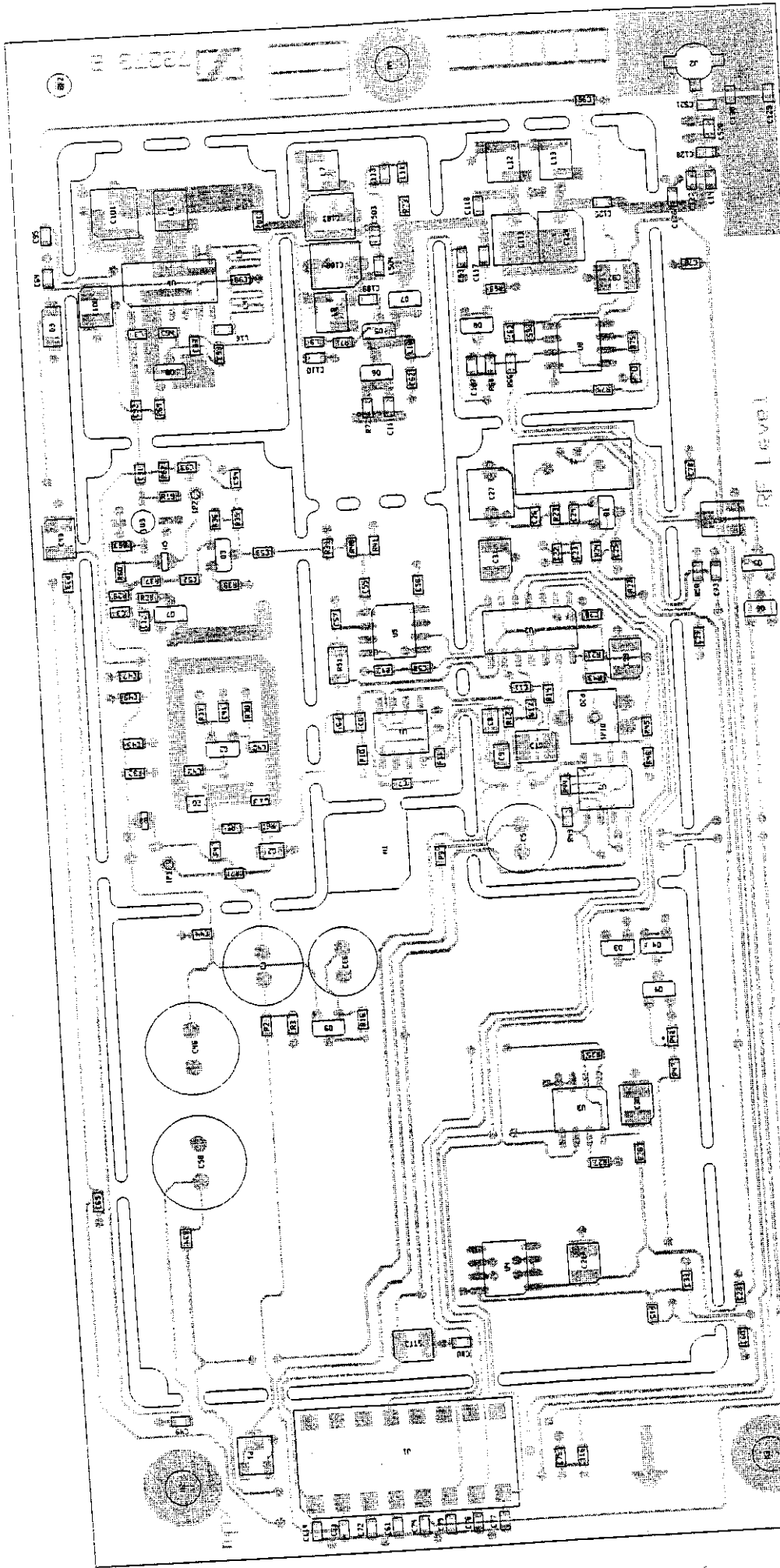
18.12.98

Frequency Range: 1 2 3 4 5



SR3054/56
 rf modul, Bereich 4 (725-880MHz)
 Bauteile B-Seite Ausg.7
 LP SMD BEST. 74445
 18.12.

RF Level
 Frequency Range: 1 2 3 4 5 6 7 8 9 10



SR 3054/56

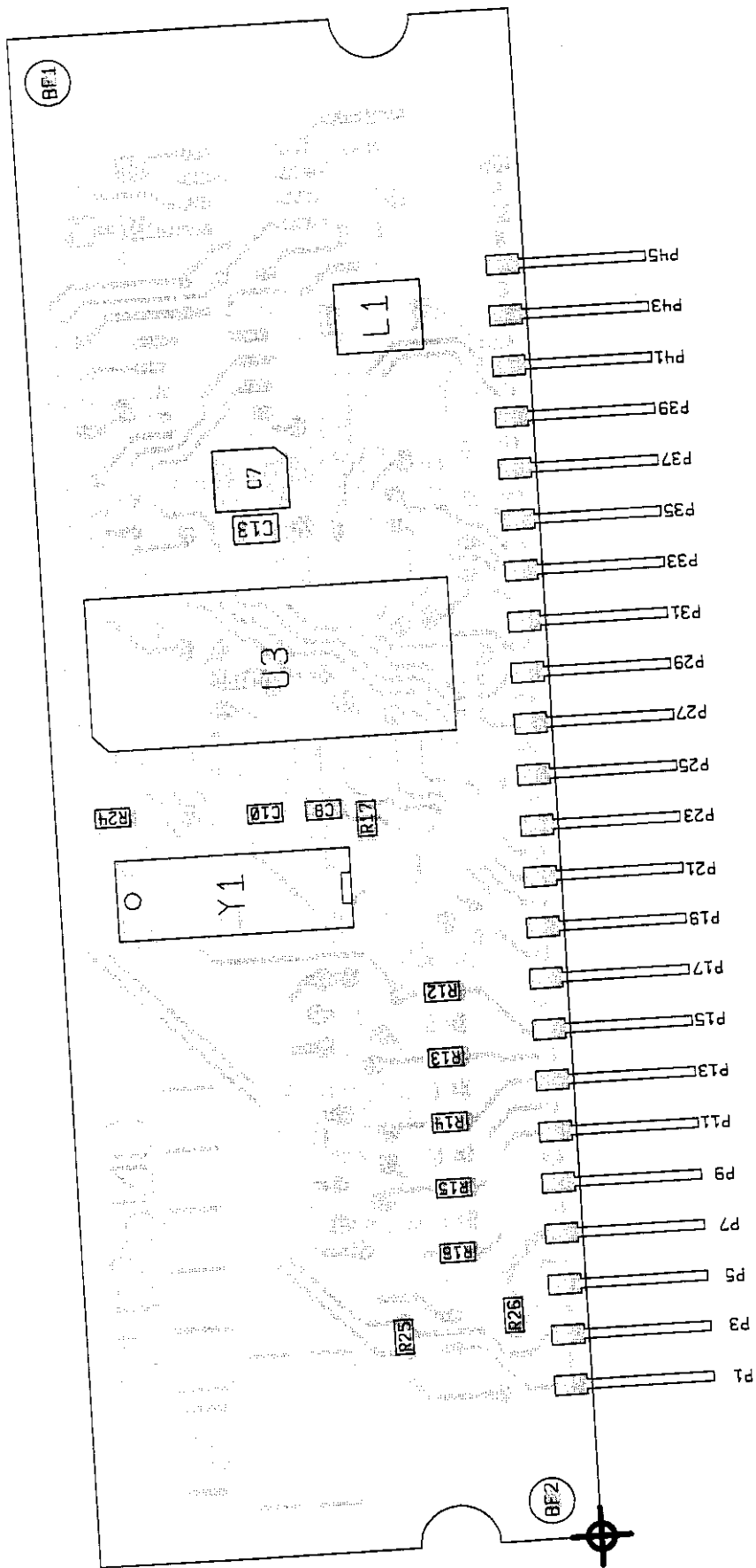
H-modul, Bereich 5 (825-960M)

Baukarte B-Seite Aug. 7

LP SMD BEST. 74446

AS.16

Frequency Range: 1 2 3 4 5



73717
22.55

13717
22.7.90

