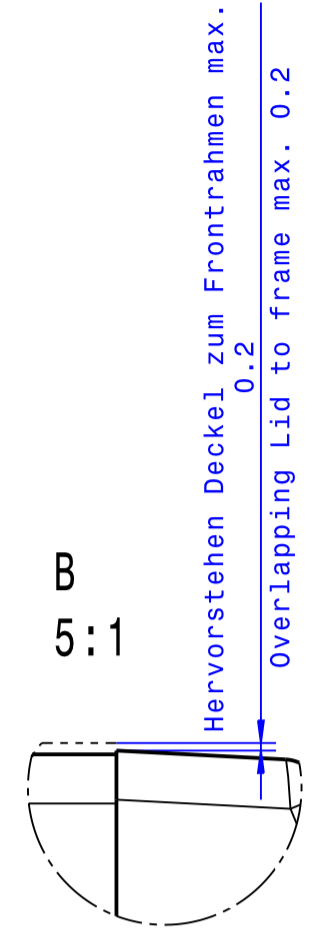


Model: EM D1

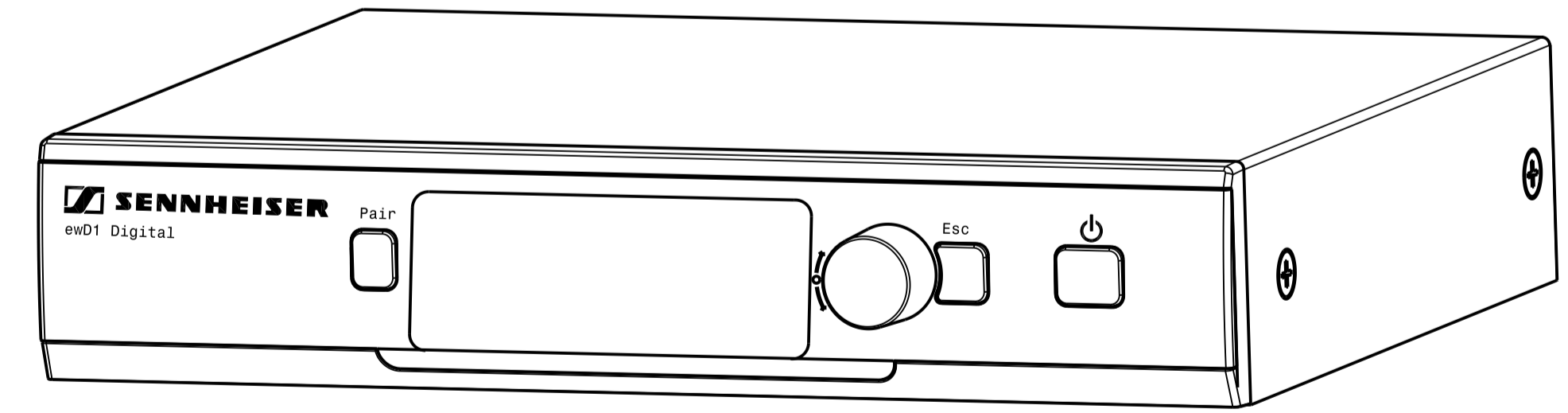
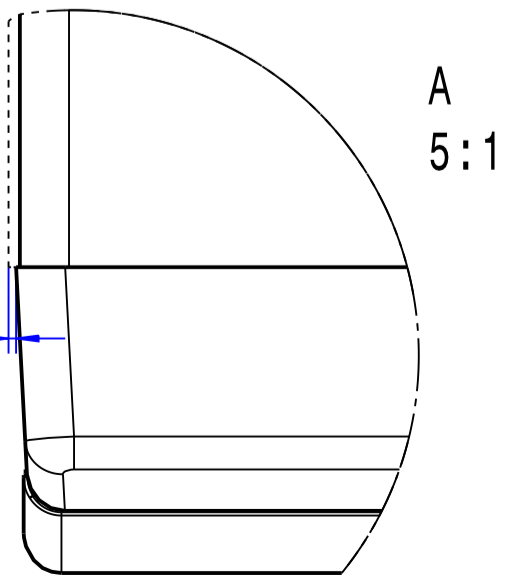
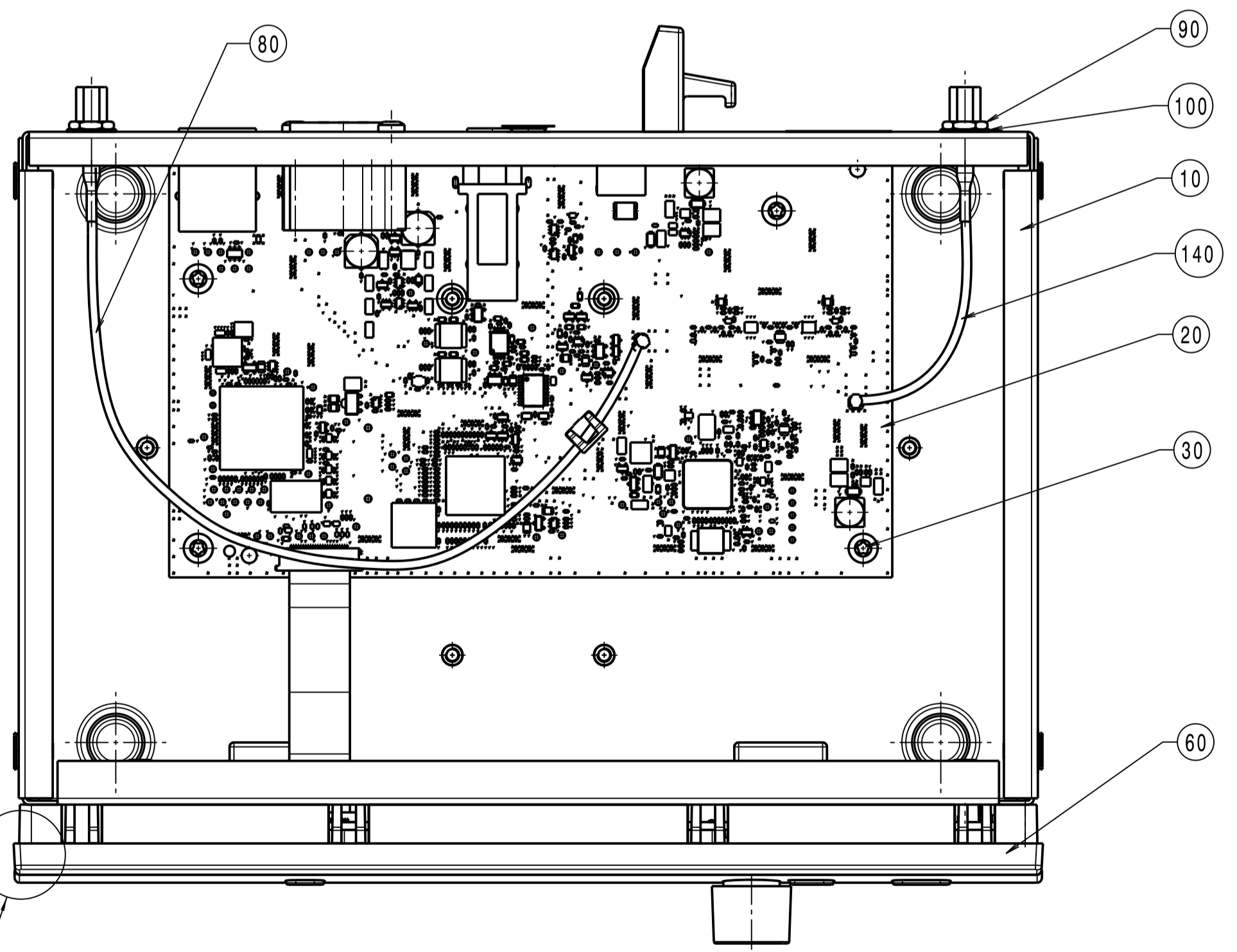
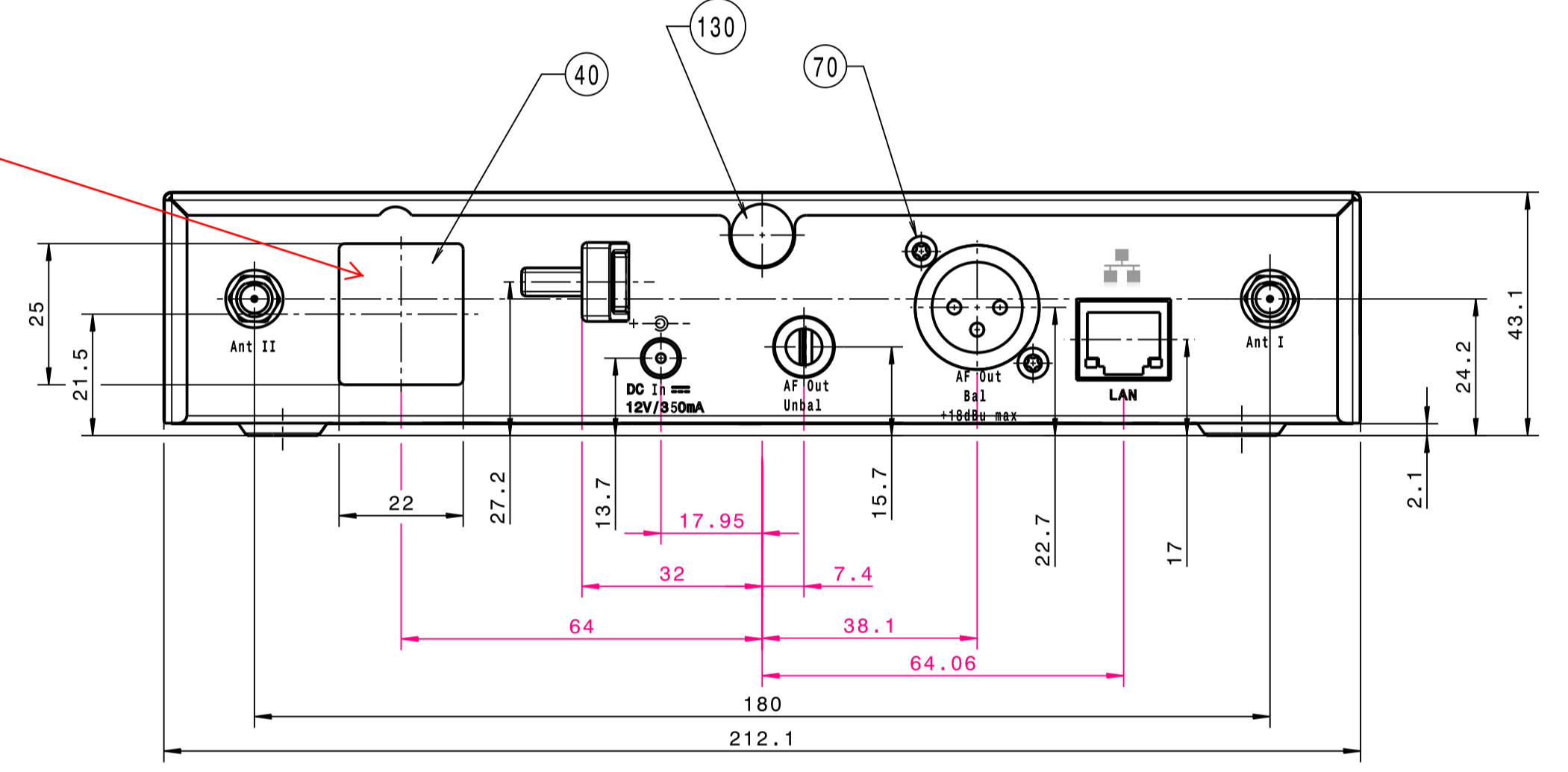
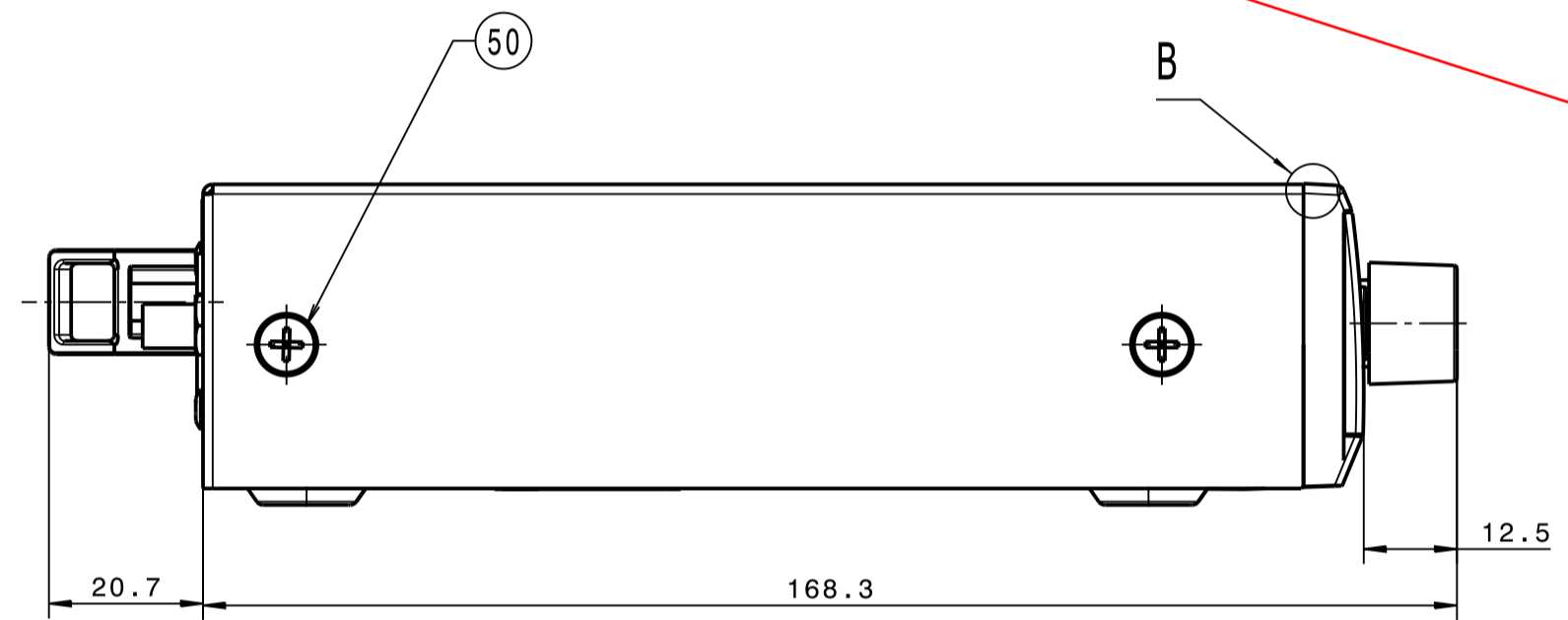
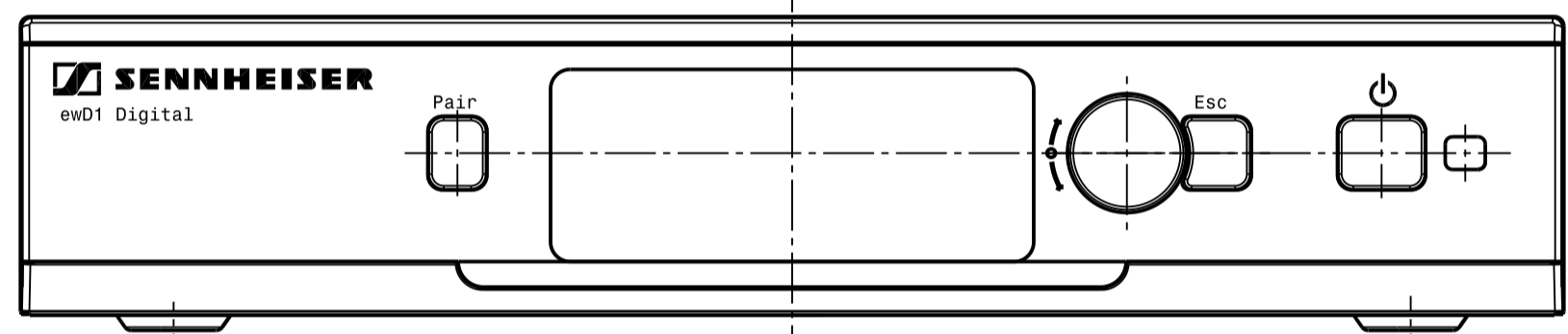
Typenschild 554844  
label 554844

Sicherheitslabel 549730  
protectionlabel 549730



Labels will be placed here

Aufkleber Pos. 130 auf Schraube Pos. 50 geklebt  
glued label pos. 130 on screw pos. 50



Pos.	Anzahl Quantity	Teile-Nr. Part-No.	Werkzeug Tool	Anzugsmoment Tightening torque
30	4	087935	Torx 10	80 Ncm
50	5	522466	Kreuzschlitz H 1 Cross recess h 1	80 Ncm
70	2	052145	Torx 10	60 Ncm
90	2	554416	HEX.NUT 1/4-36UNS-2B-1.6-SW8 6KT.MU 1/4-36UNS-2B-1.6-SW8	100 Ncm

533545		Bemerkungen / Remarks	
Teil-Nr. Part No.	Werkstoff / Material		
Allgemeintoleranzen General Tolerances		all dimensions in mm	Maßstab Scale
Sennheiser electronic GmbH&Co.KG D-30900 Wedemark		1:1	Für diese Zeichnung behalten wir uns alle Rechte vor All Rights Reserved
<b>SENNHEISER</b> Sennheiser electronic GmbH&Co.KG D-30900 Wedemark		Bearb. Gezeichnet 31.10.2010 02.06.2014 Kur	<b>DIGIT.RECEIVER</b> <b>Digital Empfänger</b>
02 02.05.2014 DSP		Dokumentenstatus Status of Document freigegeben/released	Baureihe / Series EM200 Zeichnungsnummer Drawing Number 533546 Blatt Sheet 1/1

Version  
-NH

DEVICE  
LABEL

Prod. Code: 556738

Complies with IDA Standards  
DB 100582



IC: 2099A-EM2G4WE  
FCC ID: DMOEM2G4WE

This device complies with Part 15 of the FCC Rules and with Industry Canada license-exempt RSS standard(s). Operation is subject to the following two conditions: (1) this device may not cause harmful interference, and (2) this device must accept any interference received, including interference that may cause undesired operation.

Sennheiser electronic  
GmbH & Co. KG  
Am Labor 1, 30900 Wedemark,  
Germany

 **SENNHEISER**

**Model:  
EM D1**

---

**Ser. No.: 1035105006**

---

**MAC: 00:1B:66:7E:39:A7**



---

**Made in Germany**