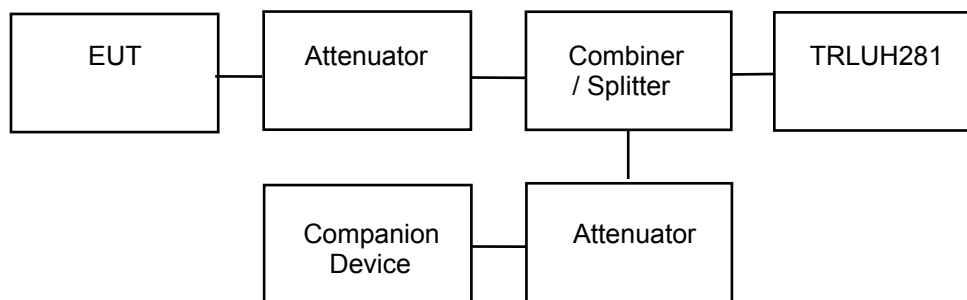


RADIO FREQUENCY RADIATION EXPOSURE

MPE calculation:

Test setup 1:



Formula:

$$S = \text{EIRP} / 4\pi R^2$$

S = Power Density (mW/cm²)
 EIRP = Radiated power (mW)
 R = distance for body (cm)

Calculation:

$$S = 106.4 / 4\pi 0.3 \text{ mW/cm}^2$$

$$S = 0.94 \text{ mW/cm}^2$$

Notes:

1. The unit will be mounted at least 0.3 cm away from the body.
2. The carrier power EIRP of 106.4mW was the worst case peak level measured.

Limit

The limit of Power density for the General Population/ Uncontrolled Exposure is 1 mW/cm².

Result

The EUT meet the 1 mW/cm² limit.