

Produkte
Products


Prüfbericht - Nr.: 14021744 001		Seite 1 von 17	
<i>Test Report No.:</i>		<i>Page 1 of 17</i>	
Auftraggeber: <i>Client:</i>	Sennheiser Communications A/S Langager 6 DK-2680 Solrød Strand Denmark		
Gegenstand der Prüfung: <i>Test Item:</i>	Bluetooth Mono Headset		
Bezeichnung: <i>Identification:</i>	EZX 60	Serien-Nr.: <i>Serial No.:</i>	Engineering sample
Wareneingangs-Nr.: <i>Receipt No.:</i>	00091028086-004	Eingangsdatum: <i>Date of Receipt:</i>	28.10.2009
Prüfört: <i>Testing Location:</i>	TÜV Rheinland Hong Kong Ltd. 9-10/F., Emperor International Square, 7 Wang Tai Road, Kowloon Bay, Kowloon, Hong Kong Hong Kong Productivity Council HKPC Building, 78 Tat Chee Avenue, Kowloon, Hong Kong		
Prüfgrundlage: <i>Test Specification:</i>	FCC Part 15 Subpart C ANSI C63.4-2003 CISPR 22:1997		
Prüfergebnis: <i>Test Results:</i>	Das vorstehend beschriebene Gerät wurde geprüft und entspricht oben genannter Prüfgrundlage. The above mentioned product was tested and passed .		
Prüflaboratorium: <i>Testing Laboratory:</i>	TÜV Rheinland Hong Kong Ltd. 9-10/F., Emperor International Square , 7 Wang Tai Road, Kowloon Bay, Kowloon, Hong Kong		
geprüft/ tested by:		kontrolliert/ reviewed by:	
15.12.2009	Ryan Chen Engineer		15.12.2009
			Sharon Li Project Manager
Datum <i>Date</i>	Name/Stellung <i>Name/Position</i>	Unterschrift <i>Signature</i>	Datum <i>Date</i>
			Name/Stellung <i>Name/Position</i>
			Unterschrift <i>Signature</i>
Sonstiges: <i>Other Aspects</i>	FCCID: DMOCBMSGB		
Abkürzungen:	P(ass) = entspricht Prüfgrundlage F(ail) = entspricht nicht Prüfgrundlage N/A = nicht anwendbar N/T = nicht getestet	Abbreviations:	P(ass) = passed F(ail) = failed N/A = not applicable N/T = not tested
Dieser Prüfbericht bezieht sich nur auf das o.g. Prüfmuster und darf ohne Genehmigung der Prüfstelle nicht auszugsweise vervielfältigt werden. Dieser Bericht berechtigt nicht zur Verwendung eines Prüfzeichens. <i>This test report relates to the a. m. test sample. Without permission of the test center this test report is not permitted to be duplicated in extracts. This test report does not entitle to carry any safety mark on this or similar products.</i>			

Table of Content

	Page
Cover Page	1
Table of Content	2
Product information	4
Manufacturers declarations	4
Product function and intended use	5
Submitted documents	5
Remark	5
Special accessories and auxiliary equipment	5
List of Test and Measurement Instruments	6
Results FCC Part 15 – Subpart C	7
Subclause 15.203 – Antenna Information	Pass..... 7
Subclause 15.204 – Antenna Information	Pass..... 7
Subclause 15.207 – Disturbance Voltage on AC Mains.....	Pass..... 7
Subclause 15.247 (a)(1) – Carrier Frequency Separation.....	Pass..... 9
Subclause 15.247 (a)(1)(iii) – Number of hopping channels	Pass..... 9
Subclause 15.247 (a)(1)(iii) – Time of Occupancy (Dwell Time)	Pass..... 10
Subclause 15.247 (a) – 20 dB Bandwidth.....	Pass..... 10
Subclause 15.247 (a) – Hopping Sequence	Pass..... 11
Subclause 15.247 (a) – Equal Hopping Frequency Use.....	Pass..... 12
Subclause 15.247 (a) – Receiver Input Bandwidth.....	Pass..... 13
Subclause 15.247 (a) – Receiver Hopping Capability	Pass..... 13
Subclause 15.247 (b)(1) – Peak Output Power	Pass..... 13
Subclause 15.247 (d) – Band edge compliance of conducted emissions	Pass..... 14
Subclause 15.205 – Band edge compliance of radiated emissions	Pass..... 14
Subclause 15.247 (d) – Spurious Conducted Emissions	Pass..... 15
Subclause 15.247 (c) – Spurious Radiated Emissions	Pass..... 16
Appendix 1 – Test protocols	25 pages
Appendix 2 – Test setup	3 pages

www.tuv.com

Appendix 3 – Photo documentation 4 pages

Appendix 4 – Product documentation 35 pages

www.tuv.com

Product information

Manufacturers declarations

	Transceiver
Operating frequency range	2402 - 2480 MHz
Type of modulation	GFSK; Pi/4 DQPSK; 8 DPSK
Number of channels	79
Channel separation	1 MHz
Type of antenna	PIFA
Antenna gain (dBi)	2
Power level	fix
Type of equipment	stand alone, plug-in radio device
Connection to public utility power line	No
Nominal voltage	V_{nor} : 3.7 V
Independent Operation Modes	Page scan Inquiry scan Connection state - ACL Link Connection state - SCO Link

www.tuv.com

Product function and intended use

The test item is a Bluetooth Mono Headset based on the Bluetooth technology.

Bluetooth is a short-range radio link intended to be a cable replacement between portable and/or fixed electronic devices.

Bluetooth operates in the unlicensed ISM Band at 2.4GHz. With the introduction of the enhanced data rate (EDR) feature, the data rates can be up to 3 Mb/s.

An increase in the peak data rate beyond the basic rate of 1 Mb/s is achieved by modulating the RF carrier using phase shift keying (PSK) techniques, resulting in an increase of two to three times the number of bits per symbol. The 2 Mb/s EDR packets use a Pi/4-DQPSK modulation and the 3 Mb/s EDR packets use 8DPSK modulation.

Submitted documents

Circuit Diagram
Block Diagram
Bill of material
User manual

Remark

Preliminary tests were performed in different data rate to find the worst radiated emission. The data rate shown in the table below is the worst-case rate with respect to the specific test item. Investigation has been done on all the possible configurations for searching the worst cases.

Special accessories and auxiliary equipment

The product has been tested together with the following additional accessory:

AC/DC Power adaptor
Model number: SSA-5W-05 050015F
Input: 100-240VAC, 50/60Hz, 0.2A
Output: 5.0VDC 150mA

www.tuv.com

List of Test and Measurement Instruments

	Equipment used	Manufacturer	Model No.	S/N	Due Date
<input checked="" type="checkbox"/>	Semi-anechoic Chamber	Frankonia	Nil	Nil	27-Feb-10
<input checked="" type="checkbox"/>	Test Receiver	R & S	ESU8	100141	08-Sep-10
<input checked="" type="checkbox"/>	Bi-conical Antenna	R & S	HK116	100242	22-May-10
<input checked="" type="checkbox"/>	Log Periodic Antenna	R & S	HL223	841516/020	21-May-10
<input checked="" type="checkbox"/>	Coaxial cable 50ohm	Rosenberger	RTK081-05S-05S-10m	LA2-001-10M / 002	15-May-10
<input checked="" type="checkbox"/>	Microwave amplifier 0.5-26.5GHz, 25dB gain	HP	83017A	3950M00241	03-Oct-11
<input checked="" type="checkbox"/>	High Pass Filter (cutoff freq. =1000MHz)	Trilithic	23042	9829213	30-Oct-11
<input checked="" type="checkbox"/>	Horn Antenna	EMCO	3115	9002-3351	27-Feb-10
<input checked="" type="checkbox"/>	Spectrum Analyser	R & S	FSP 30	100416	28-Feb-10
<input checked="" type="checkbox"/>	Active Loop Antenna	EMCO	6502	9107-2651	20-Dec-09
<input checked="" type="checkbox"/>	Test Receiver	R & S	ESCS 30	100201	22-Dec-09
<input checked="" type="checkbox"/>	Artificial Mains Network	R & S	ESH3-Z5	100230	22-Dec-09
<input checked="" type="checkbox"/>	Pulse Limiter	R & S	ESH3-Z2	100161	22-Dec-09

Results FCC Part 15 – Subpart C

Subclause 15.203 – Antenna Information		Pass
Requirement:	No antenna other than that furnished by the responsible party shall be used with the device	
Results:	Permanent attached antenna	
Verdict:	Pass	

Subclause 15.204 – Antenna Information		Pass
Requirement:	Provide information for every antenna proposed for the use with the EUT	
Results:	a) Antenna type:	PIFA
	b) Manufacturer and model no:	N.A.
	c) Gain with reference to an isotropic radiator:	2 dBi
Verdict:	Pass	

Subclause 15.207 – Disturbance Voltage on AC Mains		Pass				
Test Port: AC mains input port of the charger Applied voltage: 100VAC Applicable only to equipment designed to be connected to the public utility power line.						
1) Mode of operation: Charging mode						
Live measurement						
Frequency range (MHz)	Frequency (MHz)	Quasi-peak dB μ V	Average dB μ V	Limit QP (dB μ V)	Limit AV (dB μ V)	Verdict
0,15 – 0,5	0.168	28.1	19.1	66 - 56	56 - 46	Pass
	0.228	24.3	17.9	66 - 56	56 - 46	Pass
	0.318	21.0	15.4	66 - 56	56 - 46	Pass
> 0,5 - 5	-	-	-	56	46	Pass
> 5 - 30	-	-	-	60	50	Pass
Neutral measurement						
Frequency range (MHz)	Frequency (MHz)	Quasi-peak dB μ V	Average dB μ V	Limit QP (dB μ V)	Limit AV (dB μ V)	Verdict
0,15 – 0,5	0.246	26.5	9.3	66 - 56	56 - 46	Pass
	0.282	20.5	5.7	66 - 56	56 - 46	Pass
	0.420	19.6	6.1	66 - 56	56 - 46	Pass
> 0,5 - 5	-	-	-	56	46	Pass
> 5 - 30	-	-	-	60	50	Pass

www.tuv.com

Test Port: AC mains input port of the charger
 Applied voltage: 100VAC
 Applicable only to equipment designed to be connected to the public utility power line.

1) Mode of operation: Charging mode

Live measurement

Frequency range (MHz)	Frequency (MHz)	Quasi-peak dB μ V	Average dB μ V	Limit QP (dB μ V)	Limit AV (dB μ V)	Verdict
0,15 – 0,5	0.168	22.9	12.8	66 - 56	56 - 46	Pass
	0.246	22.7	16.1	66 - 56	56 - 46	Pass
	0.288	30.0	22.7	66 - 56	56 - 46	Pass
> 0,5 - 5	-	-	-	56	46	Pass
> 5 - 30	-	-	-	60	50	Pass

Neutral measurement

Frequency range (MHz)	Frequency (MHz)	Quasi-peak dB μ V	Average dB μ V	Limit QP (dB μ V)	Limit AV (dB μ V)	Verdict
0,15 – 0,5	0.234	22.4	14.0	66 - 56	56 - 46	Pass
	0.276	25.7	18.8	66 - 56	56 - 46	Pass
	0.324	23.7	15.2	66 - 56	56 - 46	Pass
> 0,5 - 5	-	-	-	56	46	Pass
> 5 - 30	-	-	-	60	50	Pass

Results: The radio frequency voltage that is conducted back onto the AC power line on any frequency or frequencies within the band 150kHz to 30MHz does not exceed the limits. For test Results plots refer to Appendix 1, page 2-5.

Subclause 15.247 (a)(1) – Carrier Frequency Separation		Pass
Requirement:	Frequency hopping systems shall have hopping channel carrier frequencies separated by a minimum of 25kHz or the $2/3 \cdot 20\text{dB}$ bandwidth of the hopping channel, whichever is greater.	
Test Specification	: FCC Part 15 Subpart A – Subclause 15.31	
Mode of operation	: Tx mode (hopping on), GFSK	
Port of testing	: Temporary antenna port	
Detector	: Peak	
RBW/VBW	: 100 kHz / 300 kHz	
Supply voltage	: 3.7VDC from DC power supply	
Temperature	: 23°C	
Humidity	: 50%	
Results:	Pre-scan has been conducted to determine the worst-case mode from all possible combinations between available modulations and packet types. The centre frequencies of the hopping channels are separated by more than the $2/3 \cdot 20\text{dB}$ bandwidth. For test Results plots refer to Appendix 1, page 6.	
Verdict:	Pass	

Subclause 15.247 (a)(1)(iii) – Number of hopping channels		Pass
Requirement:	Frequency hopping systems operating in the 2400MHz-2483.5MHz bands shall use at least 15 hopping frequencies.	
Test Specification	: FCC Part 15 Subpart A – Subclause 15.31	
Mode of operation	: Tx mode (hopping on), GFSK	
Port of testing	: Temporary antenna port	
Detector	: Peak	
RBW/VBW	: 1 MHz / 3 MHz	
Supply voltage	: 3.7VDC from DC power supply	
Temperature	: 23°C	
Humidity	: 50%	
Results:	The total number of hopping frequencies is more than 15. For test Results plots refer to Appendix 1, page 7.	
Verdict:	Pass	

Subclause 15.247 (a)(1)(iii) – Time of Occupancy (Dwell Time)		Pass
Requirement:	Frequency hopping systems in the 2400-2483.5 MHz band shall use at least 15 channels. The average time of occupancy on any channel shall not be greater than 0.4 seconds within a period of 0.4 seconds multiplied by the number of hopping channels employed.	
Test Specification	: FCC Part 15 Subpart A – Subclause 15.31	
Mode of operation	: Tx mode (hopping on), DH5 packet	
Port of testing	: Temporary antenna port	
Detector	: Peak	
RBW/VBW	: 1 MHz / 3 MHz	
Supply voltage	: 3.7VDC from DC power supply	
Temperature	: 23°C	
Humidity	: 50%	
Results:	Time period calculation = $0.4 \times 79 = 31.6\text{s}$ Dwell time = $64 \times 2.912 \times 10^{-3} = 186.3 \times 10^{-3}$ $\leq 400 \times 10^{-3} \text{ s}$	
	For test protocols please refer to Appendix 1, page 8-9.	
Verdict:	Pass	

Subclause 15.247 (a) – 20 dB Bandwidth		Pass	
Requirement:	Frequency hopping systems shall have hopping channel carrier frequencies separated by a minimum of 25kHz or the $2/3 \times 20\text{dB}$ bandwidth of the hopping channel, whichever is greater.		
Test Specification	: FCC Part 15 Subpart A – Subclause 15.31		
Mode of operation	: Tx mode (2402MHz, 2441MHz, 2480MHz), (8DPSK)		
Port of testing	: Temporary antenna port		
Detector	: Peak		
RBW/VBW	: 30 kHz / 100 kHz		
Supply voltage	: 3.7VDC from DC power supply		
Temperature	: 23°C		
Humidity	: 50%		
Results:	Pre-scan has been conducted to determine the worst-case mode from all possible combinations between available modulations and packet types. For test protocols refer to Appendix 1, page 10-12.		
8 DPSK Modulation			
Frequency (MHz)	20 dB left (MHz)	20 dB right (MHz)	20dB bandwidth (MHz)
2402	0.600	0.624	1.224
2441	0.642	0.624	1.266
2480	0.594	0.642	1.236
GFSK Modulation			

www.tuv.com

Frequency (MHz)	20 dB left (MHz)	20 dB right (MHz)	20dB bandwidth (MHz)
2402	0.390	0.360	0.750
2441	0.432	0.408	0.840
2480	0.390	0.408	0.798

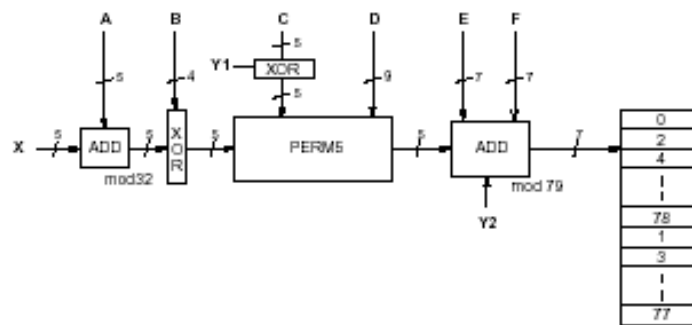
Subclause 15.247 (a) – Hopping Sequence

Pass

Requirement: The hopping sequence is generated and provided with an example.

Hopping sequence

The channel is represented by a pseudo-random hopping sequence hopping through the 79 RF channels. The hopping sequence is unique for the piconet and is determined by the Bluetooth device address of the master. The X input determines the phase in the 32-hop segment, whereas Y1 and Y2 selects between master-to-slave and slave-to-master transmission. The inputs A to D determine the ordering within the segment, the inputs E and F determine the mapping onto the hop frequencies.



www.tuv.com

Example data:

Hop sequence {k} for CONNECTION STATE:

CLK start: 0x0000010

ULAP: 0x00000000

#ticks: 00 02 | 04 06 | 08 0a | 0c 0e | 10 12 | 14 16 | 18 1a | 1c 1e |

```

-----
0x0000010: 08 66 | 10 70 | 12 19 | 14 23 | 16 01 | 18 05 | 20 33 | 22 37 |
0x0000030: 24 03 | 26 07 | 28 35 | 30 39 | 32 72 | 34 76 | 36 25 | 38 29 |
0x0000050: 40 74 | 42 78 | 44 27 | 46 31 | 48 09 | 50 13 | 52 41 | 54 45 |
0x0000070: 56 11 | 58 15 | 60 43 | 62 47 | 32 17 | 36 19 | 34 49 | 38 51 |
0x0000090: 40 21 | 44 23 | 42 53 | 46 55 | 48 33 | 52 35 | 50 65 | 54 67 |
0x00000b0: 56 37 | 60 39 | 58 69 | 62 71 | 64 25 | 68 27 | 66 57 | 70 59 |
0x00000d0: 72 29 | 76 31 | 74 61 | 78 63 | 01 41 | 05 43 | 03 73 | 07 75 |
0x00000f0: 09 45 | 13 47 | 11 77 | 15 00 | 64 49 | 66 53 | 68 02 | 70 06 |
0x0000110: 01 51 | 03 55 | 05 04 | 07 08 | 72 57 | 74 61 | 76 10 | 78 14 |
0x0000130: 09 59 | 11 63 | 13 12 | 15 16 | 17 65 | 19 69 | 21 18 | 23 22 |
0x0000150: 33 67 | 35 71 | 37 20 | 39 24 | 25 73 | 27 77 | 29 26 | 31 30 |
0x0000170: 41 75 | 43 00 | 45 28 | 47 32 | 17 02 | 21 04 | 19 34 | 23 36 |
0x0000190: 33 06 | 37 08 | 35 38 | 39 40 | 25 10 | 29 12 | 27 42 | 31 44 |
0x00001b0: 41 14 | 45 16 | 43 46 | 47 48 | 49 18 | 53 20 | 51 50 | 55 52 |
0x00001d0: 65 22 | 69 24 | 67 54 | 71 56 | 57 26 | 61 28 | 59 58 | 63 60 |
0x00001f0: 73 30 | 77 32 | 75 62 | 00 64 | 49 34 | 51 42 | 57 66 | 59 74 |
0x0000210: 53 36 | 55 44 | 61 68 | 63 76 | 65 50 | 67 58 | 73 03 | 75 11 |
0x0000230: 69 52 | 71 60 | 77 05 | 00 13 | 02 38 | 04 46 | 10 70 | 12 78 |
0x0000250: 06 40 | 08 48 | 14 72 | 16 01 | 18 54 | 20 62 | 26 07 | 28 15 |
0x0000270: 22 56 | 24 64 | 30 09 | 32 17 | 02 66 | 06 74 | 10 19 | 14 27 |
0x0000290: 04 70 | 08 78 | 12 23 | 16 31 | 18 03 | 22 11 | 26 35 | 30 43 |
0x00002b0: 20 07 | 24 15 | 28 39 | 32 47 | 34 68 | 38 76 | 42 21 | 46 29 |
0x00002d0: 36 72 | 40 01 | 44 25 | 48 33 | 50 05 | 54 13 | 58 37 | 62 45 |
0x00002f0: 52 09 | 56 17 | 60 41 | 64 49 | 34 19 | 36 35 | 50 51 | 52 67 |
0x0000310: 38 21 | 40 37 | 54 53 | 56 69 | 42 27 | 44 43 | 58 59 | 60 75 |
0x0000330: 46 29 | 48 45 | 62 61 | 64 77 | 66 23 | 68 39 | 03 55 | 05 71 |
0x0000350: 70 25 | 72 41 | 07 57 | 09 73 | 74 31 | 76 47 | 11 63 | 13 00 |
0x0000370: 78 33 | 01 49 | 15 65 | 17 02 | 66 51 | 70 67 | 03 04 | 07 20 |
0x0000390: 68 55 | 72 71 | 05 08 | 09 24 | 74 59 | 78 75 | 11 12 | 15 28 |
0x00003b0: 76 63 | 01 00 | 13 16 | 17 32 | 19 53 | 23 69 | 35 06 | 39 22 |
0x00003d0: 21 57 | 25 73 | 37 10 | 41 26 | 27 61 | 31 77 | 43 14 | 47 30 |
0x00003f0: 29 65 | 33 02 | 45 18 | 49 34 | 19 04 | 21 08 | 23 20 | 25 24 |

```

Subclause 15.247 (a) – Equal Hopping Frequency Use

Pass

Requirement: Each of the transmitter's hopping channels is used equally on average.

Equal hopping frequency use

The EUT complies with the Bluetooth RF specifications. For details refer to the Bluetooth standard.

Subclause 15.247 (a) – Receiver Input Bandwidth	Pass
Requirement: The associated receiver(s) complies with the requirement that its input bandwidth matches the bandwidth of the transmitted signal.	
Receiver input bandwidth The receiver bandwidth is equal to the receiver bandwidth in the 79 hopping channel mode, which is 1 MHz. The receiver bandwidth was verified during Bluetooth RF conformance testing.	

Subclause 15.247 (a) – Receiver Hopping Capability	Pass
Requirement: The associated receiver has the ability to shift frequencies in synchronisation with the transmitted signals.	
Receiver hopping Capability The EUT complies with the Bluetooth RF specifications. For details refer to the Bluetooth standard.	

Subclause 15.247 (b)(1) – Peak Output Power	Pass				
Test Specification : FCC Part 15 Subpart A – Subclause 15.31 Mode of operation : Tx mode (2402MHz, 2441MHz, 2480MHz) Port of testing : Temporary antenna port Detector : Peak RBW/VBW : 3 MHz / 10 MHz Supply voltage : 3.7VDC from DC power supply Temperature : 23°C Humidity : 50%					
Requirement: For frequency hopping systems operating in the 2400-2483.5 MHz band employing at least 75 hopping channels, and all frequency hopping systems in the 5725-5850 MHz band: 1 Watt. For all other frequency hopping systems in the 2400 – 2483.5 MHz band: 0.125 Watts.					
Results: For test protocols please refer to Appendix 1, page 13-17.					
GFSK Modulation					
Frequency (MHz)	Maximum peak output power (dBm)	Cable attenuation (dB)	Output power (dBm)	Limit (W/dBm)	Verdict
2402	0.65	3.52	4.170	1 / 30.0	Pass
2441	0.71	3.65	4.360	1 / 30.0	Pass
2480	0.53	3.60	4.130	1 / 30.0	Pass
Pi/4 DQPSK Modulation					
Frequency (MHz)	Maximum peak output power (dBm)	Cable attenuation (dB)	Output power (dBm)	Limit (W/dBm)	Verdict
2402	0.62	3.52	4.140	1 / 30.0	Pass
2441	0.71	3.65	4.360	1 / 30.0	Pass

www.tuv.com

2480	0.53	3.60	4.130	1 / 30.0	Pass
8 DPSK Modulation					
Frequency (MHz)	Maximum peak output power (dBm)	Cable attenuation (dB)	Output power (dBm)	Limit (W/dBm)	Verdict
2402	0.16	3.52	3.680	1 / 30.0	Pass
2441	0.31	3.65	3.960	1 / 30.0	Pass
2480	-0.05	3.60	3.550	1 / 30.0	Pass

Subclause 15.247 (d) – Band edge compliance of conducted emissions		Pass
<p>Test Specification : FCC Part 15 Subpart A – Subclause 15.31 Mode of operation : Tx mode (2402MHz, 2480MHz), 8DPSK Port of testing : Temporary antenna port Detector : Peak RBW/VBW : 100 kHz / 300 kHz Supply voltage : 3.7VDC from DC power supply Temperature : 23°C Humidity : 50%</p>		
Requirement:	<p>In any 100 kHz bandwidth outside the frequency band in which the spread spectrum or digitally modulated intentional radiator is operating, the radio frequency power that is produced by the intentional radiator shall be at least 20 dB below that in the 100 kHz bandwidth within the band that contains the highest level of the desired power, based on either an RF conducted or a radiated measurement.</p>	
Results:	<p>Pre-scan has been conducted to determine the worst-case mode from all possible combinations between available modulations and packet types.</p> <p>There is no peak found outside any 100 kHz bandwidth of the operating frequency band. For test protocols refer to Appendix 1, page 18-19.</p>	

Subclause 15.205 – Band edge compliance of radiated emissions		Pass
<p>Test Specification : FCC Part 15 Subpart A – Subclause 15.31 Mode of operation : Tx mode (2402MHz, 2480MHz), 8DPSK Port of testing : Temporary antenna port Detector : Peak RBW/VBW : 1 MHz / 3 MHz Supply voltage : 3.7VDC from DC power supply Temperature : 23°C Humidity : 50%</p>		
Requirement:	<p>Radiated emissions which fall in the restricted bands, as defined in 15.205 (a), must also comply with the radiated emission limits specified in 15.209(a).</p>	
Results:	<p>There is no peak found in the restricted bands. For test protocols refer to Appendix 1, page 20-23.</p>	

Subclause 15.247 (d) – Spurious Conducted Emissions					Pass
Test Specification : FCC Part 15 Subpart A – Subclause 15.31 Mode of operation : Tx mode (2402MHz, 2441MHz, 2480MHz), 8DPSK Port of testing : Temporary antenna port Detector : Peak RBW/VBW : 100 kHz / 300 kHz Supply voltage : 3.7VDC from DC power supply Temperature : 23 °C Humidity : 50 %					
Requirement: In any 100 kHz bandwidth outside the frequency band in which the spread spectrum or digitally modulated intentional radiator is operating, the radio frequency power that is produced by the intentional radiator shall be at least 20 dB below that in the 100 kHz bandwidth within the band that contains the highest level of the desired power, based on either an RF conducted or a radiated measurement.					
Results: Pre-scan has been conducted to determine the worst-case mode from all possible combinations between available modulations and packet types. There is no peak found outside any 100kHz bandwidth of the operating frequency band in the three transmit frequency. All three transmit frequency modes comply with the limit stated in subclause 15.247(d). For test protocols refer to Appendix 1, page 24-25.					
Operating frequency (MHz)	Spurious frequency (MHz)	Spurious Level (dBm)	Reference value (dBm)	Delta (dB)	Verdict
2402	2255.000	-42.41	-0.81	-41.60	Pass
2441	2290.000	-41.40	1.31	-42.71	Pass
2480	2280.000	-41.19	0.41	-41.60	Pass

Subclause 15.247 (c) – Spurious Radiated Emissions		Pass
Test Specification : ANSI C63.4 – 2003 Mode of operation : Tx mode (2402MHz, 2441MHz, 2480MHz), 8DPSK Port of testing : Enclosure Detector : Peak RBW/VBW : 100 kHz / 300 kHz for f < 1 GHz 1 MHz / 3 MHz for f > 1 GHz Supply voltage : internal batteries has been activated Temperature : 23°C Humidity : 50%		
Requirement: In any 100kHz bandwidth outside the frequency band at least 20dB below the highest level of the desired power. In addition, radiated emissions which fall in the restricted bands, as defined in section 15.205(a), must also comply with the radiated emission limits specified in section 15.205(c).		
Results: Pre-scan has been conducted to determine the worst-case mode from all possible combinations between available modulations and packet types. All three transmit frequency modes comply with the field strength within the restricted bands. There is no spurious found below 30MHz.		
Tx frequency 2402MHz		Vertical Polarization
Freq MHz	Level dBuV/m	Limit/ Detector dBuV/m
55.200	10.2	40 / QP
137.800	11.3	43.5 / QP
338.100	12.2	46 / QP
627.300	19.8	46 / QP
1602.000	39.4	74.0 / P
1602.000	33.1	54.0 / A
4804.000	47.2	74.0 / P
4804.000	40.0	54.0 / A
Tx frequency 2402MHz		Horizontal Polarization
Freq MHz	Level dBuV/m	Limit/ Detector dBuV/m
48.200	9.8	40 / QP
152.500	12.2	43.5 / QP
330.700	12.2	46 / QP
701.400	20.6	46 / QP
1602.000	34.6	74.0 / P
1602.000	21.2	54.0 / A
4804.000	48.6	74.0 / P
4804.000	45.1	54.0 / A
Tx frequency 2441MHz		Vertical Polarization
Freq MHz	Level dBuV/m	Limit/ Detector dBuV/m
40.200	10.5	40 / QP
49.800	10.8	40 / QP
151.400	11.9	43.5 / QP
597.000	18.3	46 / QP

www.tuv.com

1627.000	35.2	74.0 / P
1627.000	23.2	54.0 / A
4882.000	56.7	74.0 / P
4882.000	42.7	54.0 / A
Tx frequency 2441MHz Horizontal Polarization		
Freq MHz	Level dBuV/m	Limit/ Detector dBuV/m
41.000	11.2	40 / QP
120.700	13.7	43.5 / QP
160.000	15.3	43.5 / QP
441.300	15.0	46 / QP
619.800	19.4	46 / QP
1627.000	33.9	74.0 / P
1627.000	20.9	54.0 / A
4882.000	55.3	74.0 / P
4882.000	41.8	54.0 / A
Tx frequency 2480MHz Vertical Polarization		
Freq MHz	Level dBuV/m	Limit/ Detector dBuV/m
37.300	11.2	40 / QP
159.600	11.4	43.5 / QP
325.500	12.1	46 / QP
580.100	17.8	46 / QP
1653.000	34.8	74.0 / P
1653.000	22.5	54.0 / A
4960.000	47.7	74.0 / P
4960.000	38.2	54.0 / A
Tx frequency 2480MHz Horizontal Polarization		
Freq MHz	Level dBuV/m	Limit/ Detector dBuV/m
37.300	11.1	40 / QP
155.800	11.7	43.5 / QP
302.200	11.2	46 / QP
751.000	21.4	46 / QP
1653.000	33.8	74.0 / P
1653.000	20.5	54.0 / A
4960.000	51.1	74.0 / P
4960.000	31.3	54.0 / A