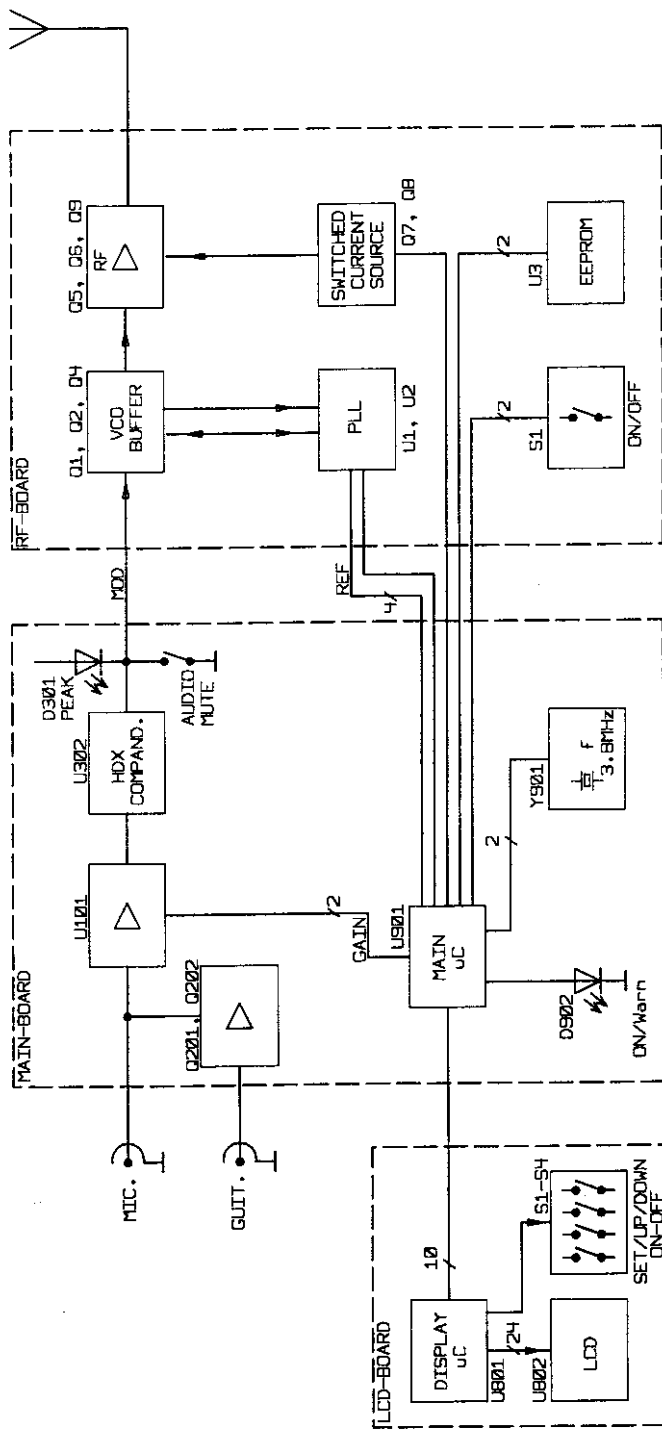


5. Technical Documents

5.1 Block Diagram



BLOCKDIAGRAM SK1100 / 3000 / 5000