

CONAIR
Customer: CONAIR
Model No. WW930ZF
Description: rating
Checked by: Crystal Chen 9/22/23
Approved by:
Vendor: HEALTHCARE

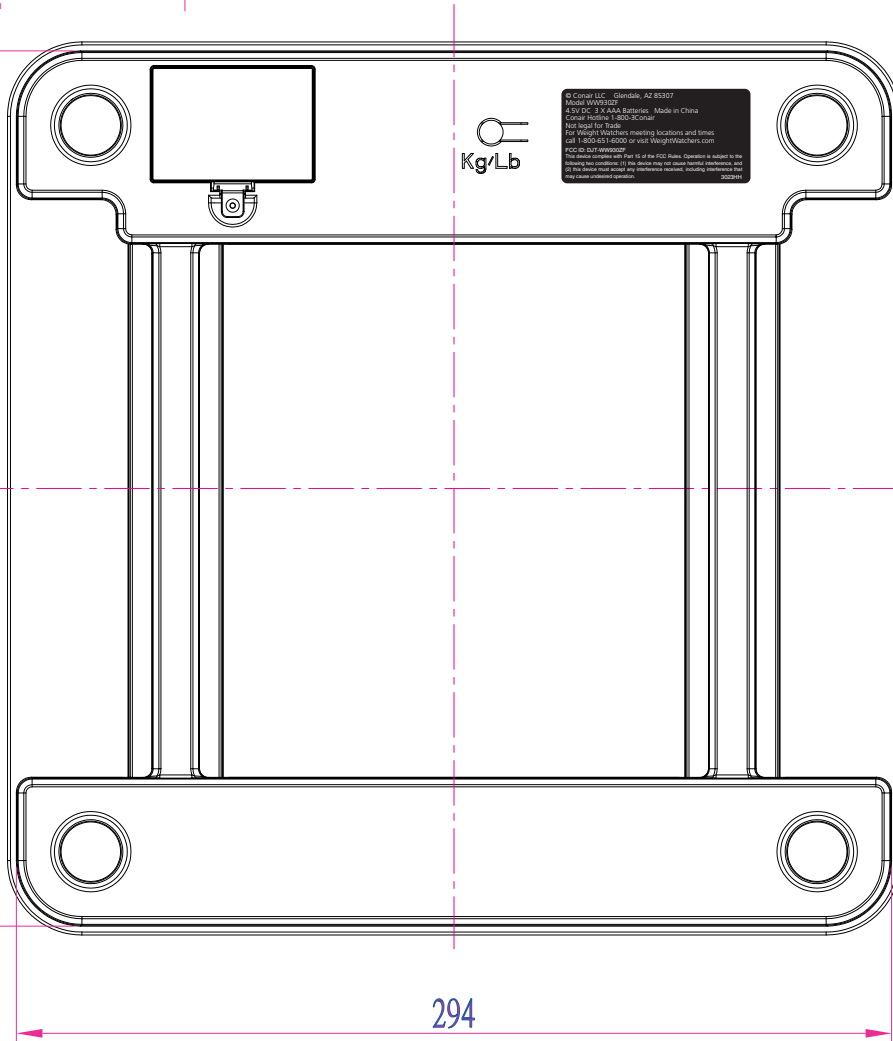
RATING:
COLOR: WHITE TEXT ON BLACK
SIZE: 50x25mm

© Conair LLC Glendale, AZ 85307
 Model WW930ZF
 4.5V DC 3 X AAA Batteries Made in China
 Conair Hotline 1-800-3Conair
 Not legal for Trade
 For Weight Watchers meeting locations and times
 call 1-800-651-6000 or visit WeightWatchers.com
 FCC ID: DJT-WW930ZF
 This device complies with Part 15 of the FCC Rules. Operation is subject to the
 following two conditions: (1) this device may not cause harmful interference, and
 (2) this device must accept any interference received, including interference that
 may cause undesired operation. 3023HH

25mm

50mm

294



294

© Conair LLC Glendale, AZ 85307
 Model WW930ZF
 4.5V DC 3 X AAA Batteries Made in China
 Conair Hotline 1-800-3Conair
 Not legal for Trade
 For Weight Watchers meeting locations and times
 call 1-800-651-6000 or visit WeightWatchers.com
 FCC ID: DJT-WW930ZF
 This device complies with Part 15 of the FCC Rules. Operation is subject to the
 following two conditions: (1) this device may not cause harmful interference, and
 (2) this device must accept any interference received, including interference that
 may cause undesired operation. 3021HH

25mm

50mm
200%