

6

5

4

3

2

1

D

D

C

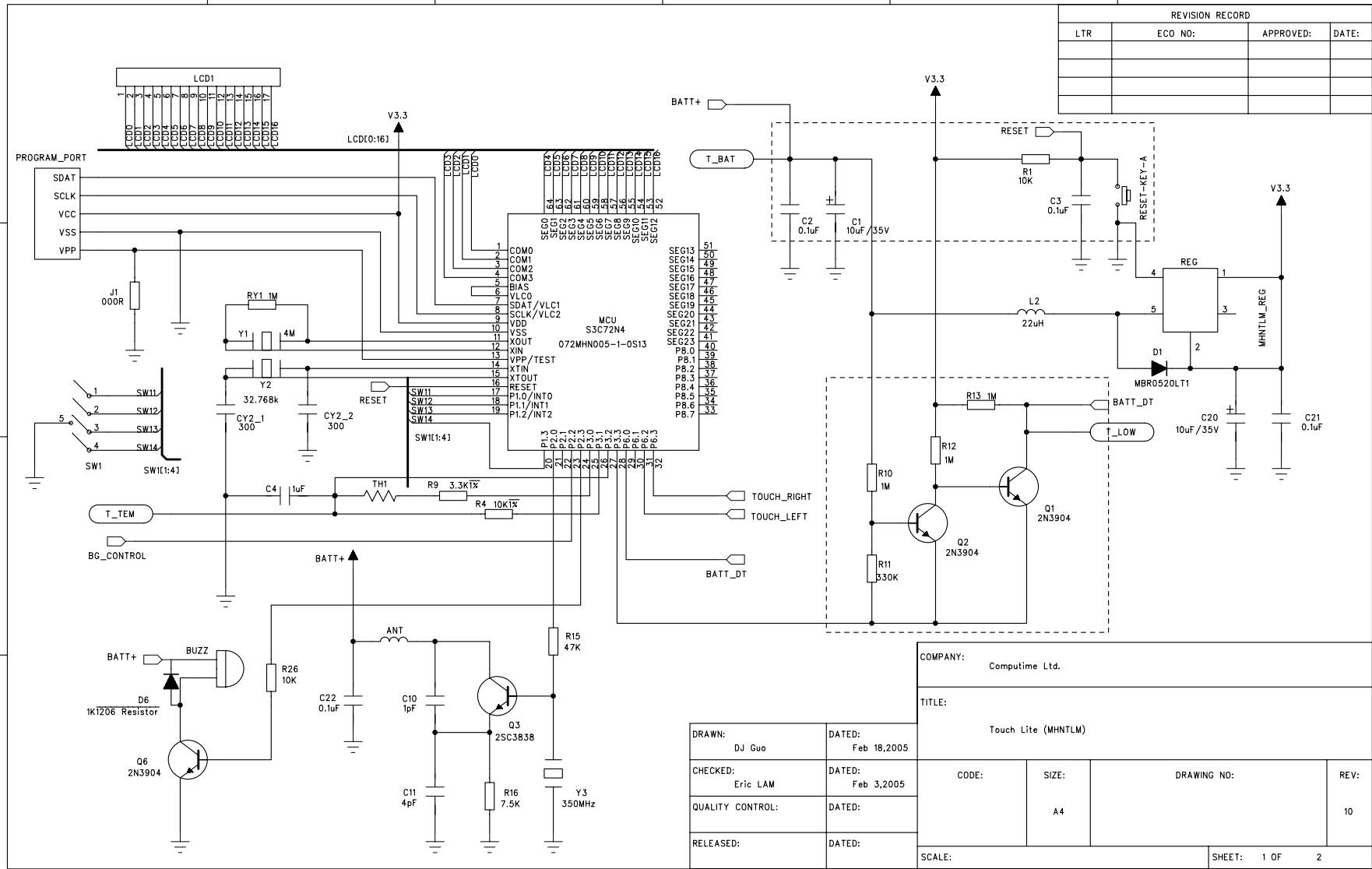
C

B

B

A

A



REVISION RECORD			
LTR	ECO NO:	APPROVED:	DATE:

COMPANY: Computime Ltd.			
TITLE: Touch Lite (MHNTLM)			
CODE:	SIZE: A4	DRAWING NO:	REV: 10
DRAWN: DJ Guo		DATED: Feb 18, 2005	
CHECKED: Eric LAM		DATED: Feb 3, 2005	
QUALITY CONTROL:		DATED:	
RELEASED:		DATED:	
SCALE:		SHEET: 1 OF 2	

DRAWN: DJ Guo	DATED: Feb 18, 2005
CHECKED: Eric LAM	DATED: Feb 3, 2005
QUALITY CONTROL:	DATED:
RELEASED:	DATED:

6

5

4

3

2

1

D

C

B

A

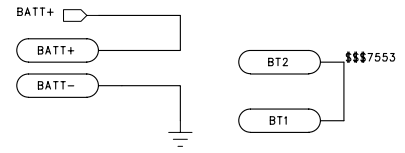
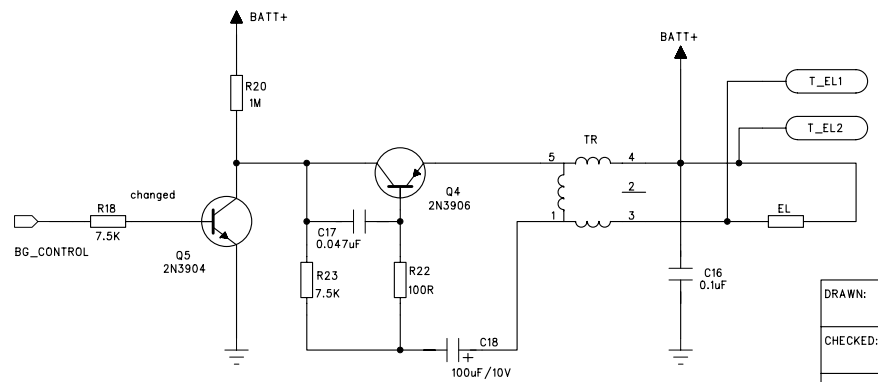
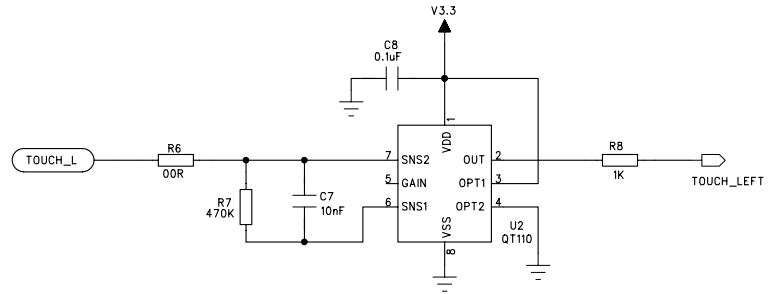
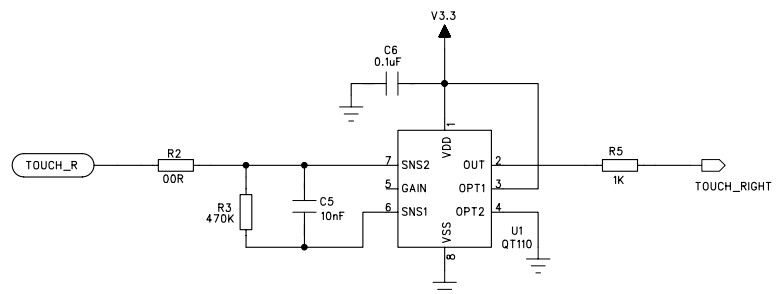
D

C

B

A

REVISION RECORD			
LTR	ECO NO:	APPROVED:	DATE:



DRAWN: DJ Guo	DATED: Jan 28,2005
CHECKED: Tim Wong	DATED:
QUALITY CONTROL:	DATED:
RELEASED:	DATED:

COMPANY: Computime Ltd.			
TITLE: Touch Lite (MHNTLM)			
CODE:	SIZE: A4	DRAWING NO:	REV: 10
SCALE:		SHEET: 2 OF 2	