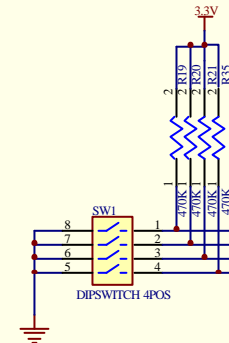
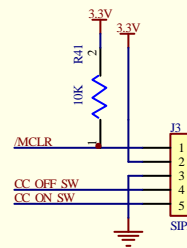
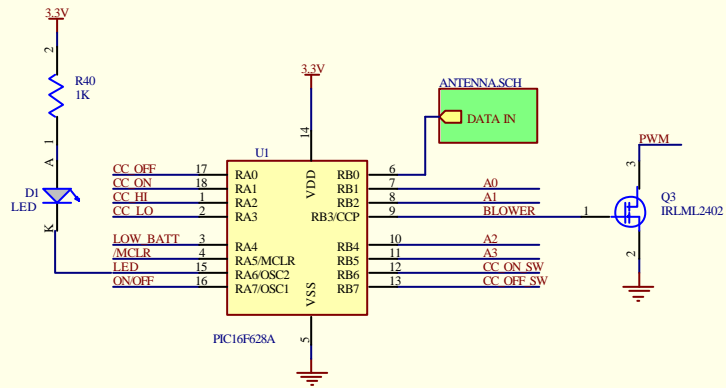
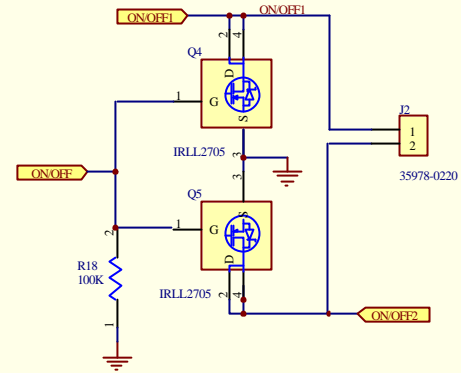
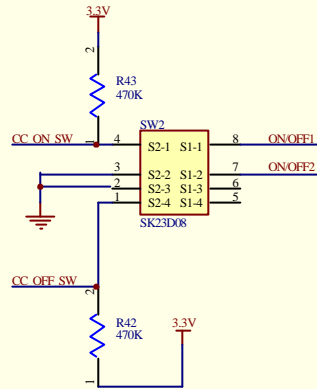
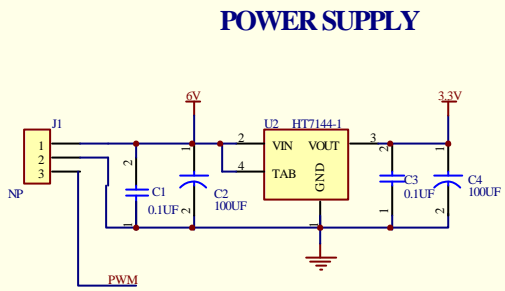
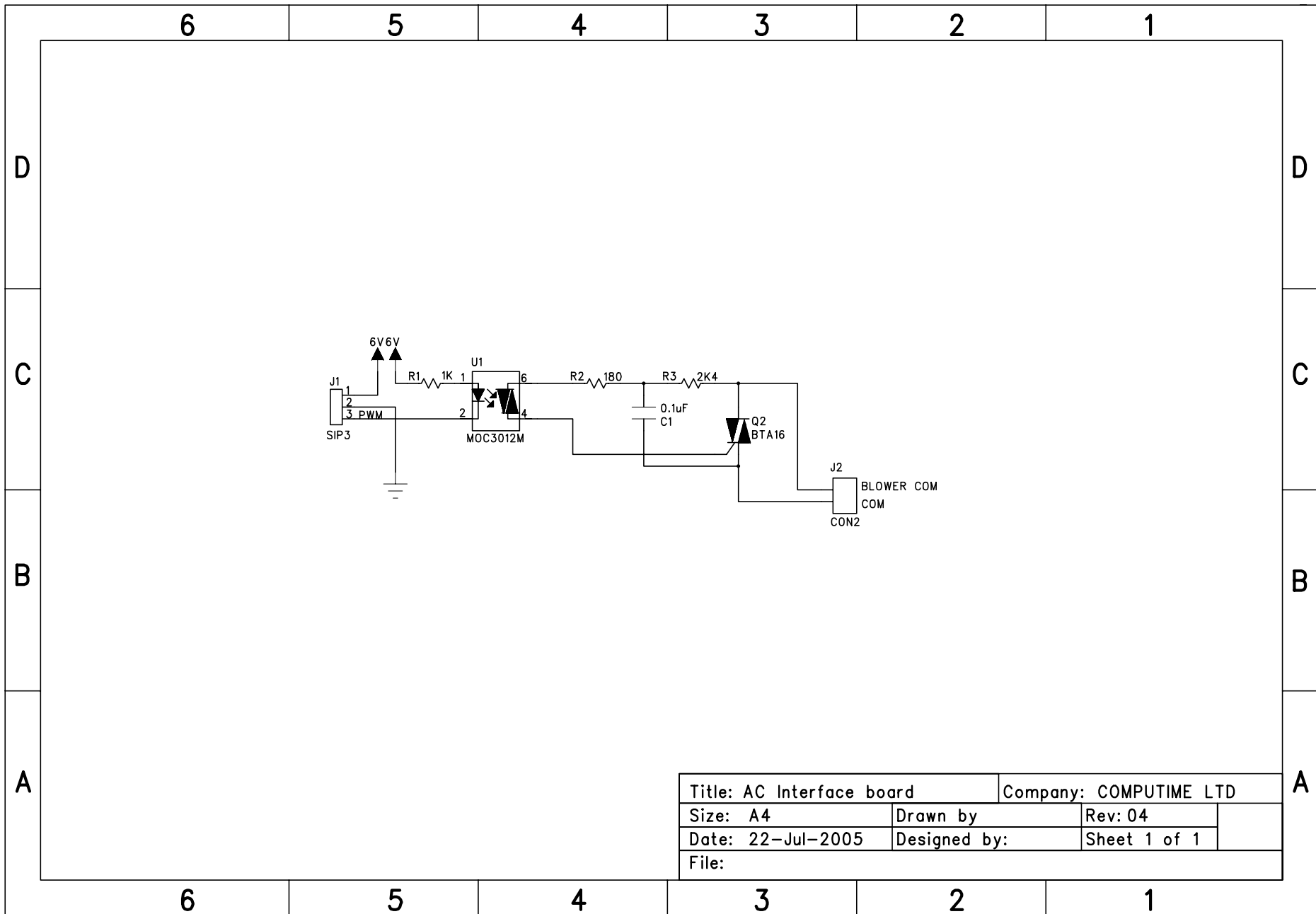


POWER SUPPLY

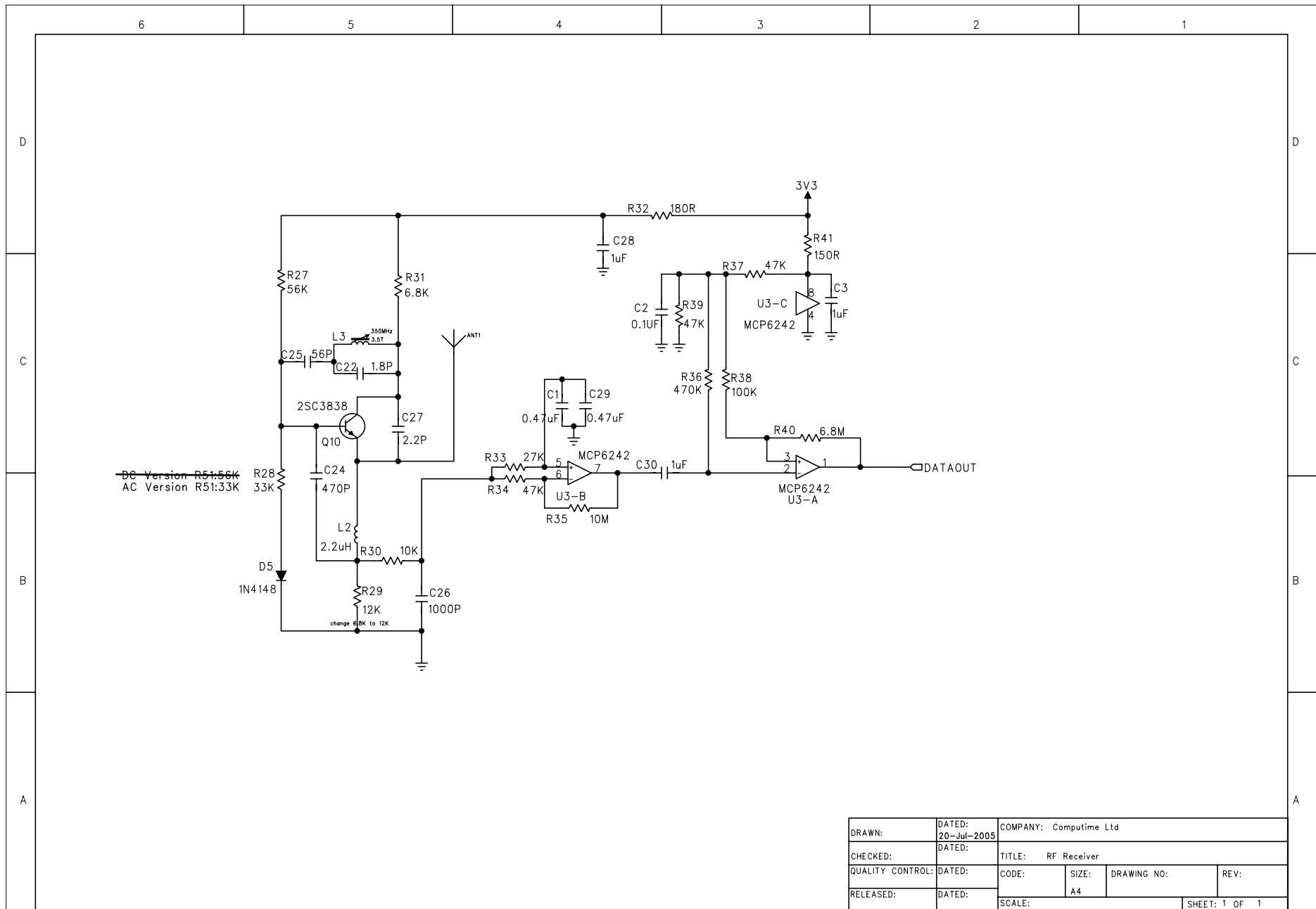


DECODING & OUTPUT CONTROL

Title MHNSTEB SCH FOR MONESSEN		
Size B	Number	Revision
Date: 25-Aug-2005	Sheet 1 of 1	
File: D:\MONESSEN\Receiver\MHNSTEB\RE...	Drawn By: Ddh	



Title: AC Interface board		Company: COMPUTIME LTD	
Size: A4	Drawn by	Rev: 04	
Date: 22-Jul-2005	Designed by:	Sheet 1 of 1	
File:			



DRAWN:	DATED: 20-Jul-2005	COMPANY: Computime Ltd			
CHECKED:	DATED:	TITLE: RF Receiver			
QUALITY CONTROL:	DATED:	CODE:	SIZE: A4	DRAWING NO:	REV:
RELEASED:	DATED:	SCALE:			SHEET: 1 OF 1