

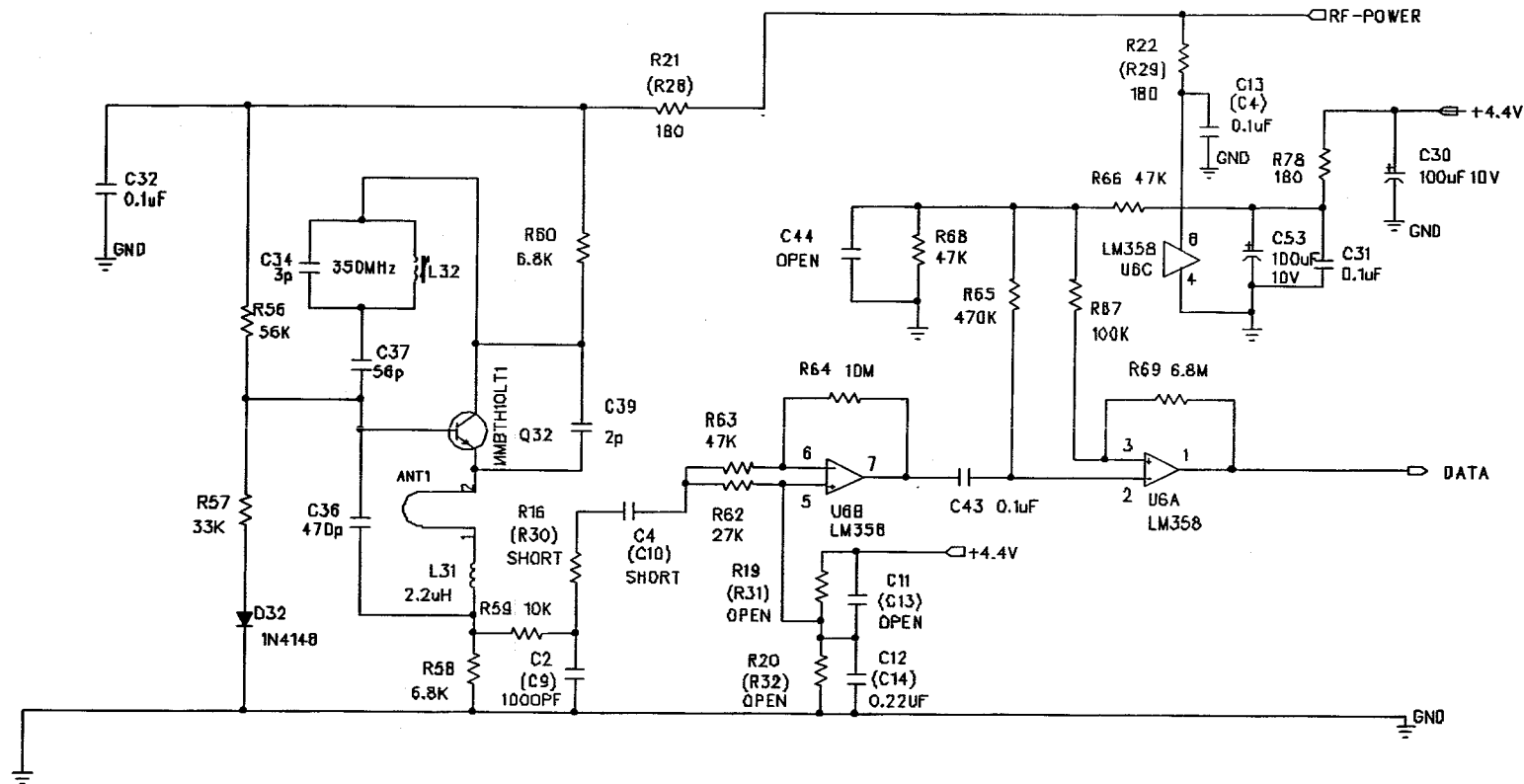
REVISION RECORD			
LTR	ECO. NO.	APPROVED:	DATE:

COMPANY:				COMPUTIME LTD.			
TITLE:							
FIREPLACE RECEIVER ON/OFF							
DRAWN:	DATE:	CODE:	SIZE:	DRAWING NO.:	REV.:		
CHECKED:	DATE:						
QUALITY CONTROL:	DATE:						
RELEASED:	DATE:					SCALE:	SHEET: OF

DRAWN: LIU JIN
 CHECKED: EDWIN
 QUALITY CONTROL:
 RELEASED:

DATED: 8 DEC 01
 CODE:
 SIZE:
 DRAWING NO.:
 REV.:
 SCALE:
 SHEET: OF

REVISION RECORD			
LTR	ECO NO:	APPROVED	DATE



"Designator" for HI-LO (MHN2MH RECD)

C37: 33P-->88P
 R37: 27K-->33K
 R61,R78: 100-->180
 JAN 26,02

COMPANY: COMPUTIME

TITLE: RF-RECEIVER

DRAWN: LJJ JIN	DATED: Jun 12, 2002
CHECKED: EDWIN	DATED:
QUALITY CONTROL:	DATED:
RELEASED:	DATED:

CODE:	SIZE:	DRAWING NO:	REV: 1
SCALE:		SHEET: 1 OF 2	