

6

5

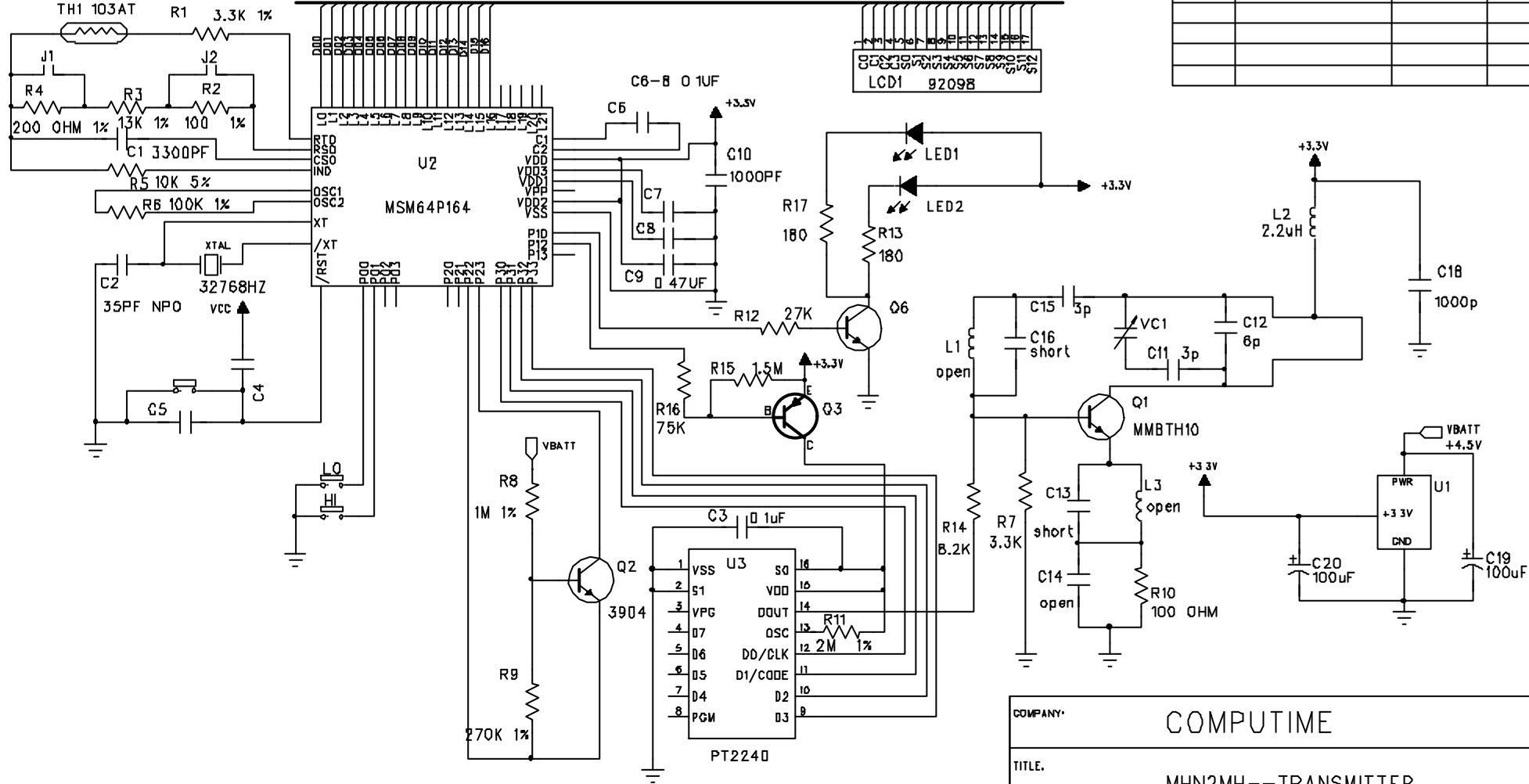
4

3

2

1

REVISION RECORD			
LTR	ECO NO.	APPROVED	DATE



A

NOTE: 1. Resistor accuracy of R1-R4, R8-R11 are 1% ,others are 5% .

DRAWN: wuzhaoxian	DATED: Jun 12, 2002
CHECKED: EDWIN WONG	DATED:
QUALITY CONTROL:	DATED:
RELEASED:	DATED:

COMPANY: COMPUTIME			
TITLE: MHN2MH--TRANSMITTER			
CODE	SIZE	DRAWING NO	REV
			A
SCALE:			SHEET. 1 OF 1