

6

5

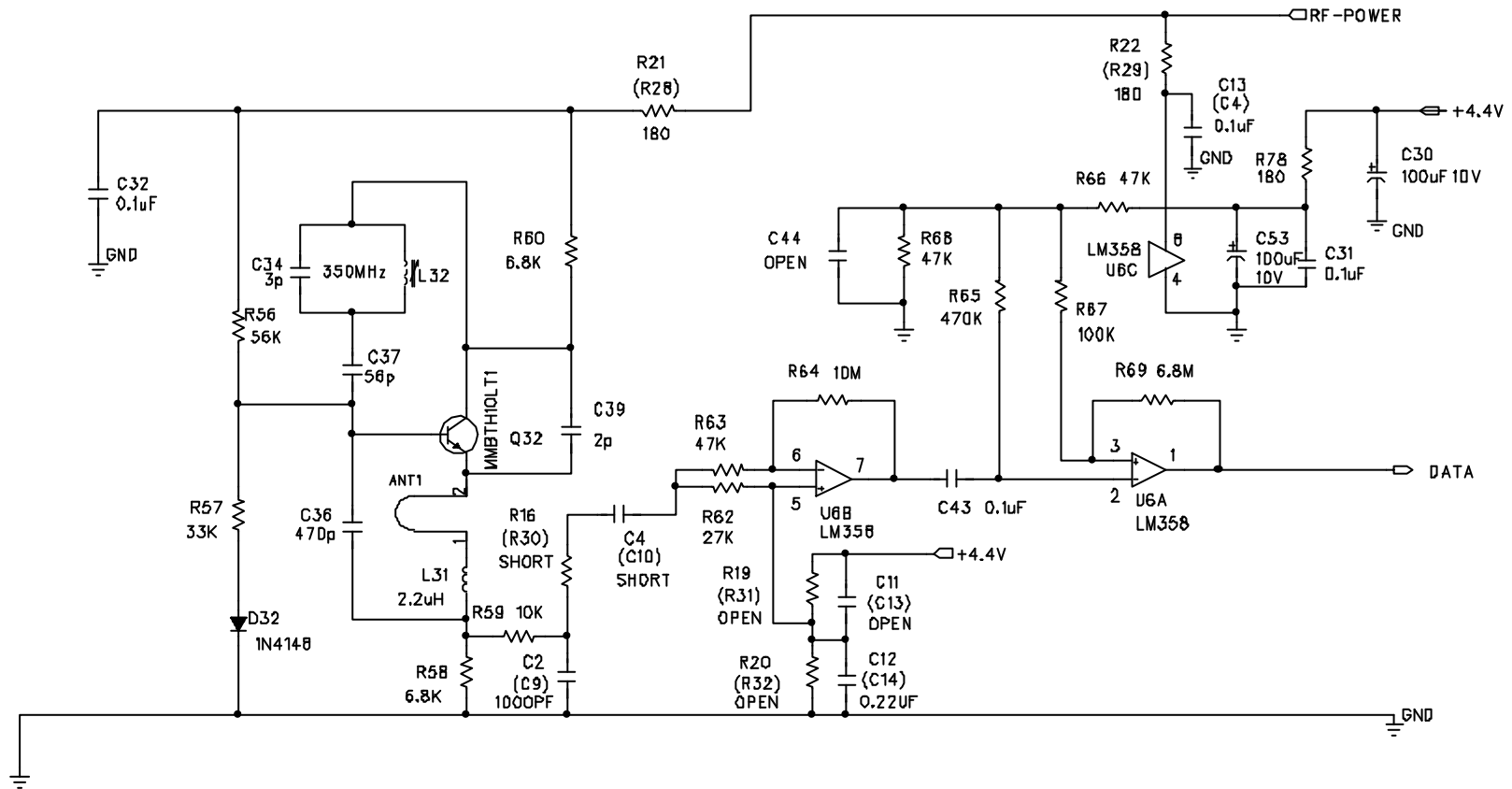
4

3

2

1

REVISION RECORD			
LTR	ECO NO:	APPROVE	DATE



"(Designator)" for HI-LO (MHN2MH RECD)

C37: 33P-->50P
R57: 27K-->33K
R61,R78: 200-->180
JAN 28,02

COMPANY		COMPUTIME	
TITLE:			
RF-RECEIVER			
CODE.	SIZE.	DRAWING NO:	REV.
			1
SCALE	SHEET 1 OF 2		

DRAWN: LIJ JIN	DATED: Jun 12 2002
CHECKED: EDWIN	DATED:
QUALITY CONTROL:	DATED:
RELEASED:	DATED: