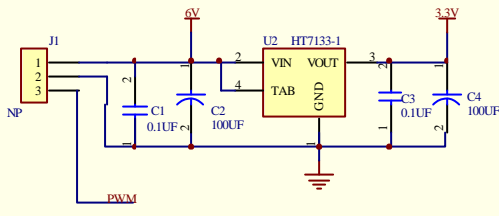
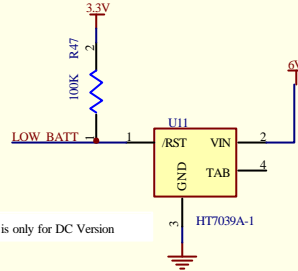


### POWER SUPPLY



DC Version: U2 = HT7133-1  
~~AC Version: U2 = HT7144-1~~

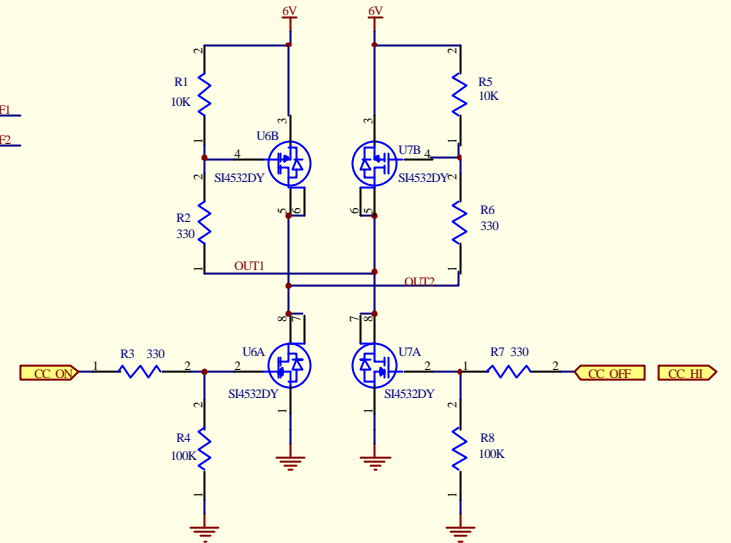
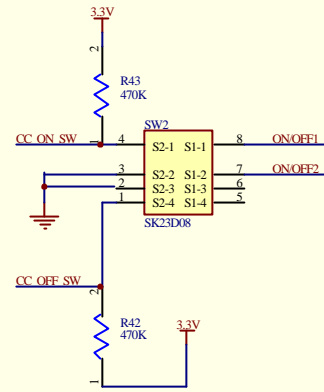
### LOW VOLTAGE MONITORING



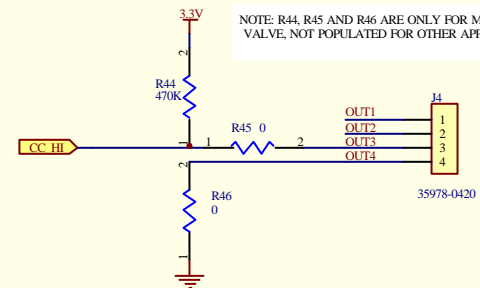
U11 is only for DC Version

NOTE:  
 (1) UNLESS SPECIFIED, ALL RESISTORS ARE 5%, 1/8W METAL FILM.  
 (2) ALL CAPACITORS ARE 10V, 5-20% GENERAL PURPOSE.

### CONCENTRIC / SIT / MAXITROL VALVE DRIVER

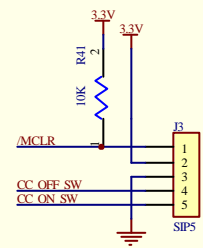
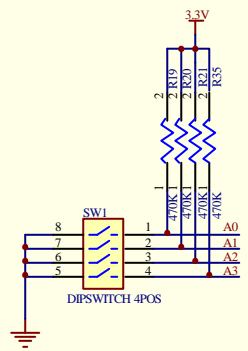
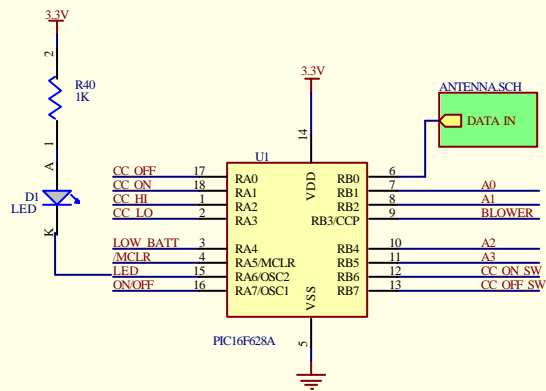


NOTE: R44, R45 AND R46 ARE ONLY FOR MAXITROL VALVE, NOT POPULATED FOR OTHER APPLICATION

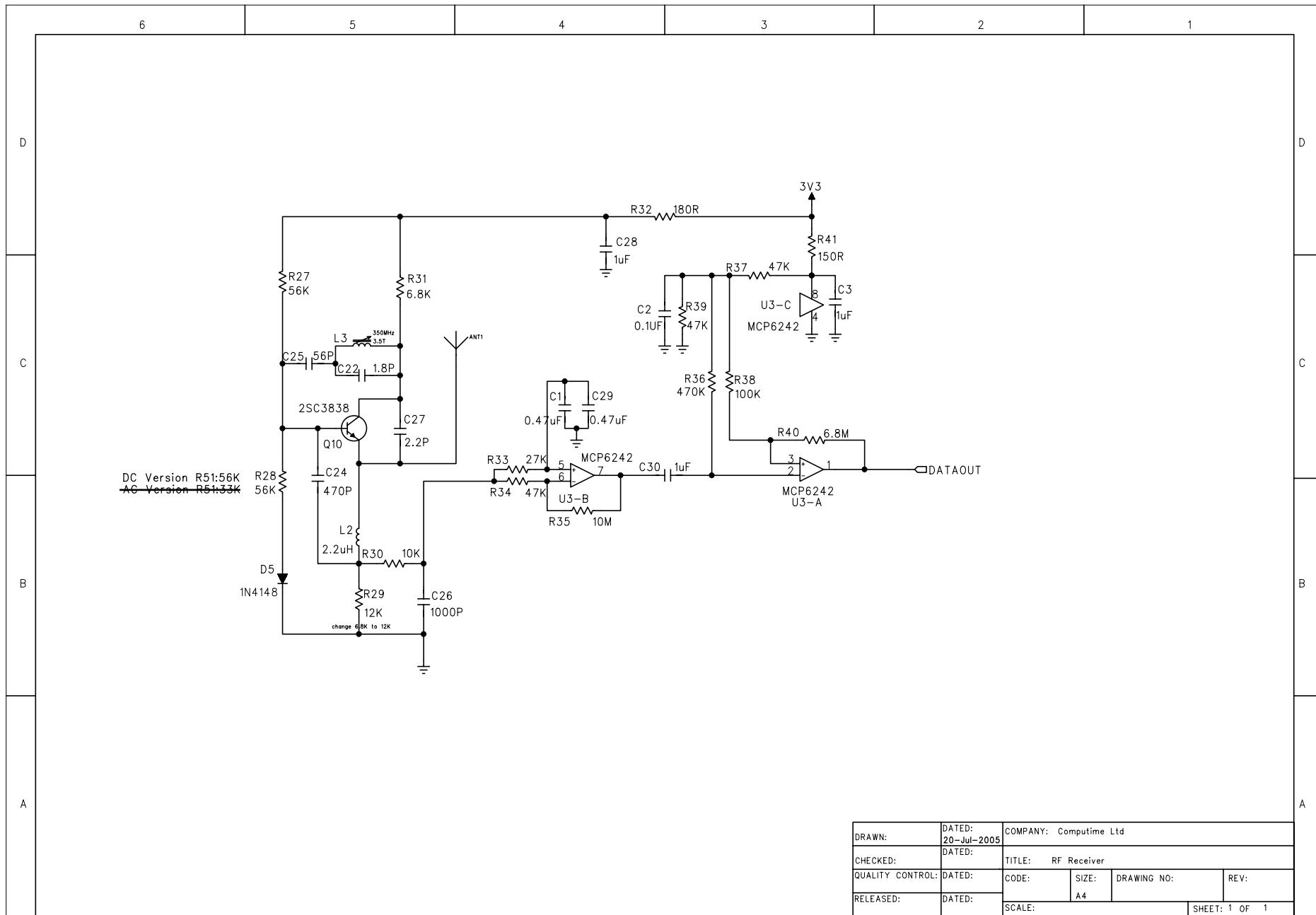


### MAXITROL POSITION SWITCH INPUT

### DECODING & OUTPUT CONTROL



Title MHNCBHC SCH FOR MONESSEN		
Size B	Number	Revision 1
Date: 25-Aug-2005	Sheet of 1	File: D:\MONESSEN\Reviver\MHNCBHC\RC



DRAWN:	DATED: 20-Jul-2005	COMPANY: Computime Ltd			
CHECKED:	DATED:	TITLE: RF Receiver			
QUALITY CONTROL:	DATED:	CODE:	SIZE: A4	DRAWING NO:	REV:
RELEASED:	DATED:	SCALE:			SHEET: 1 OF 1