

6

5

4

3

2

1

| REVISION RECORD | | | |
|-----------------|---------|-----------|------|
| LTR | ECO BB* | APPROVED* | DATE |
| | | | |
| | | | |
| | | | |

PIR

D

C

B

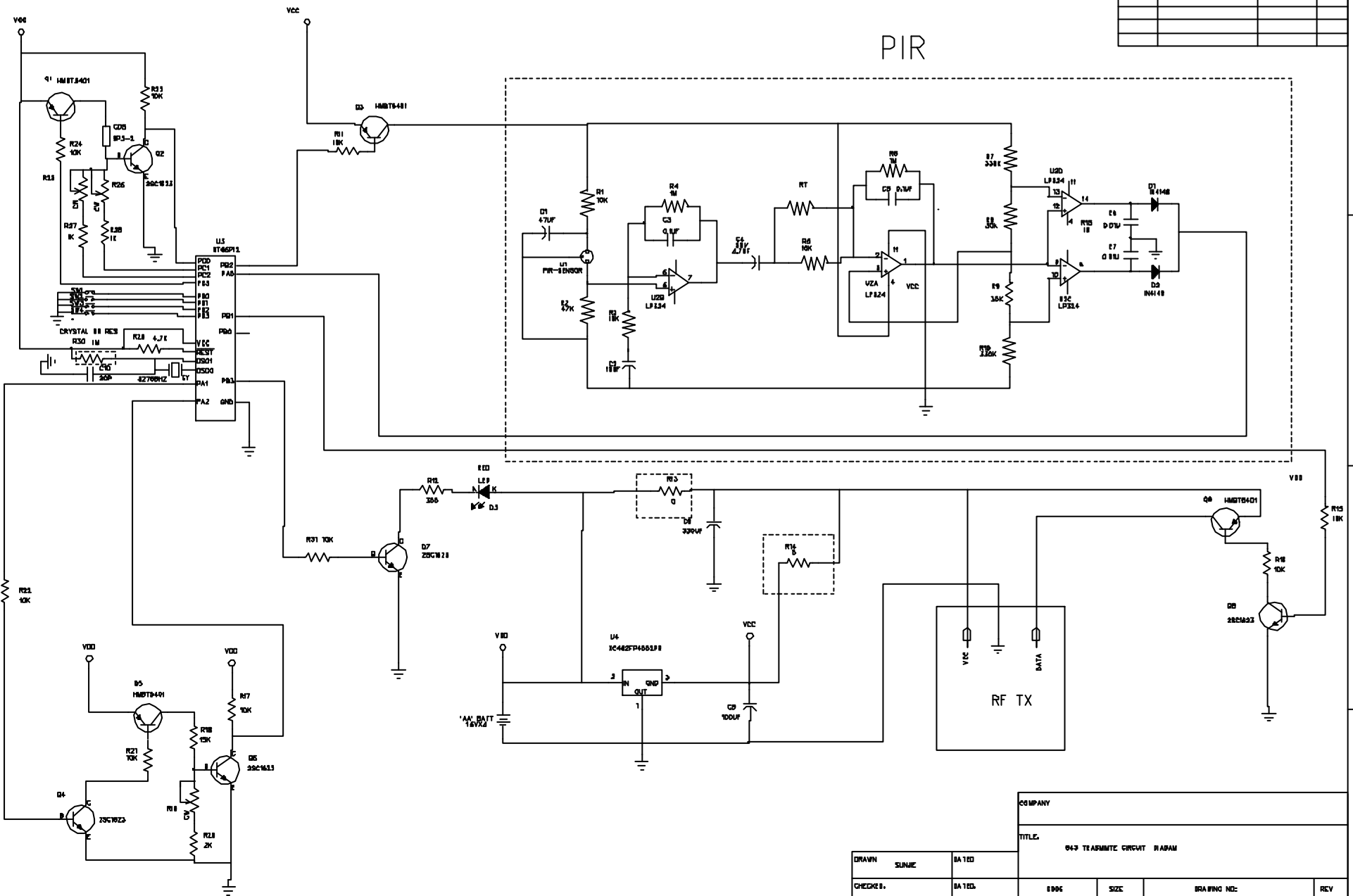
A

D

C

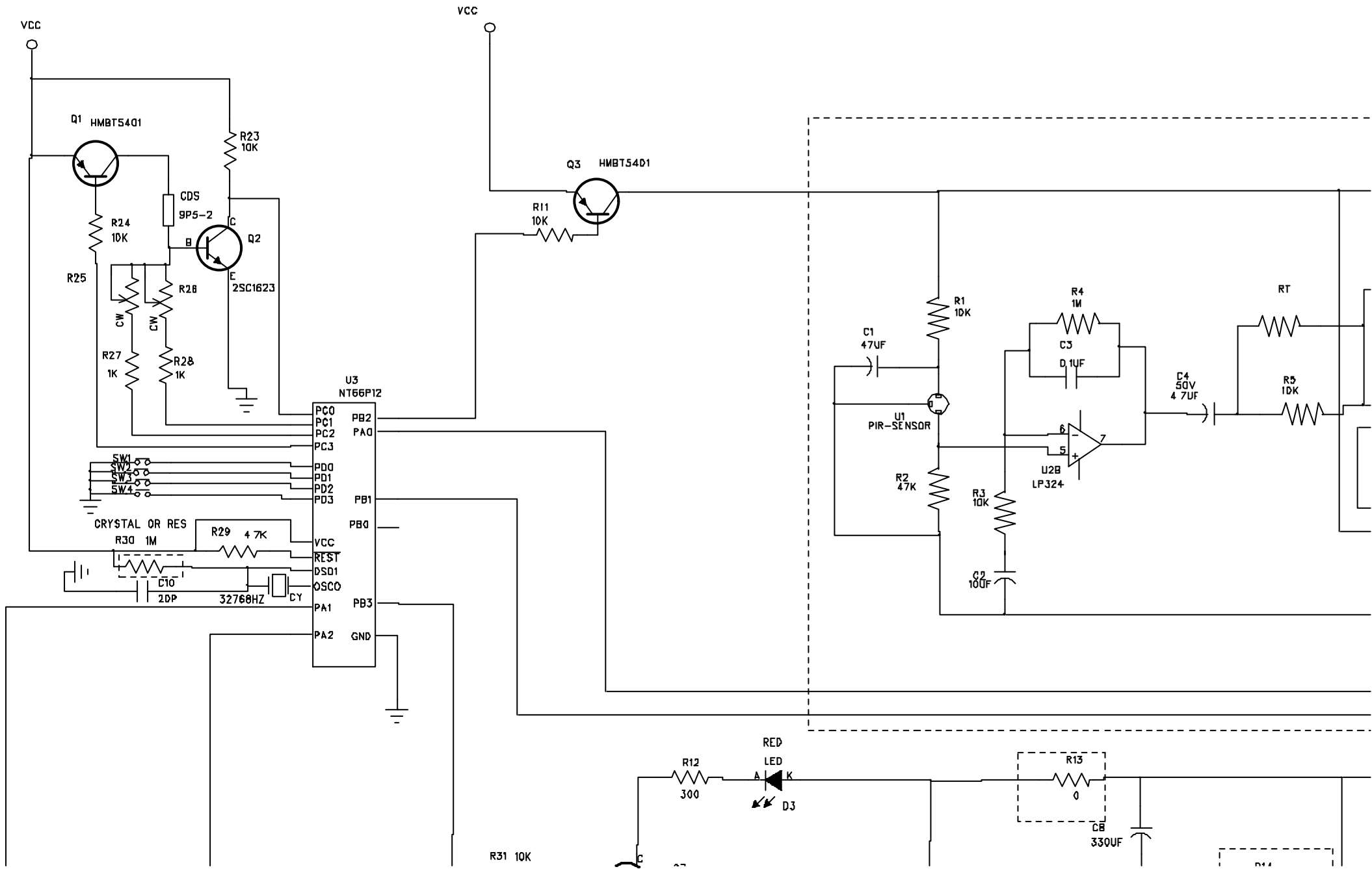
B

A



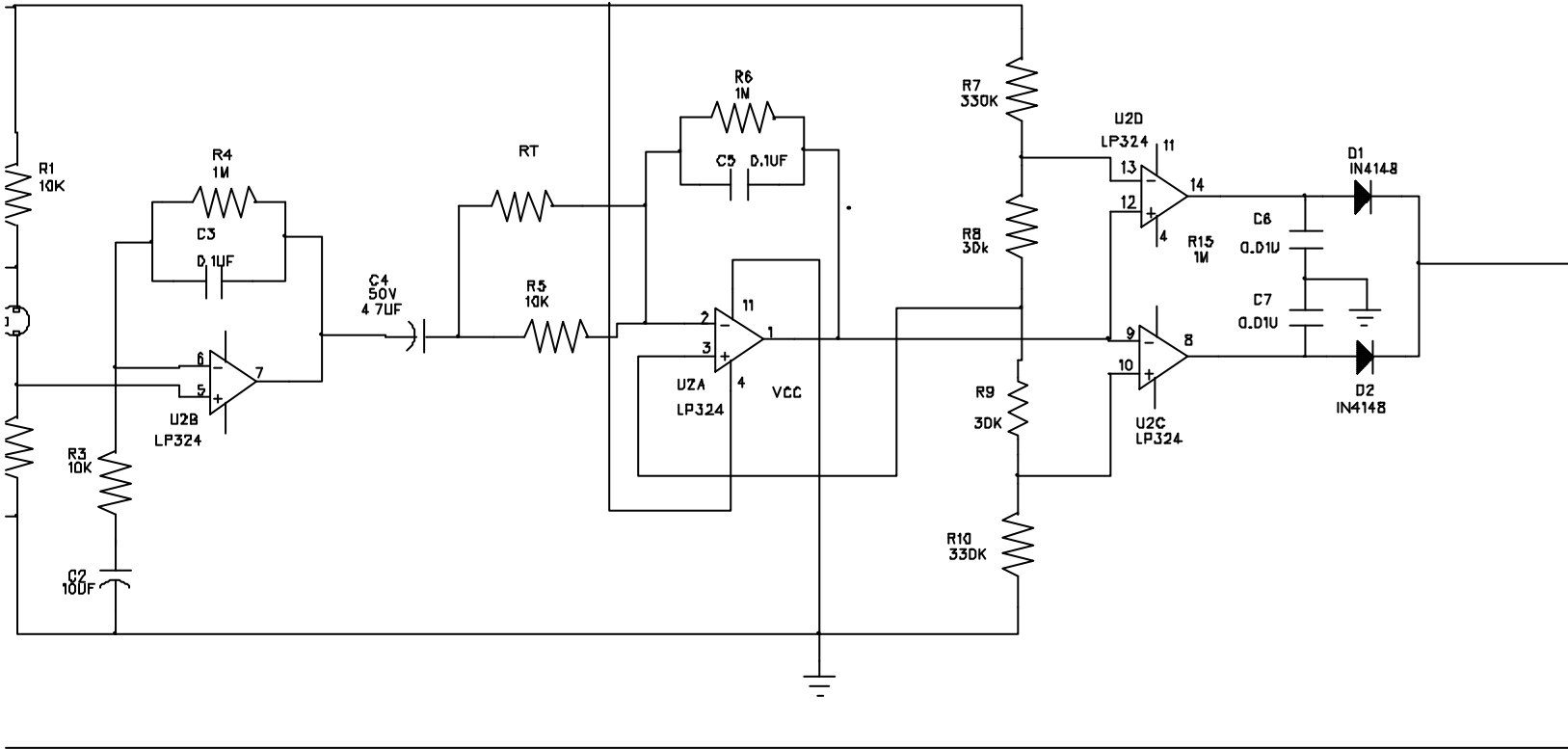
| | | |
|-----------------|-------|--------|
| DRAWN | SUNIC | BA 1ED |
| CHECKED | | BA 1ED |
| QUALITY CONTROL | | BA 1ED |
| RELEASED | | BA 1ED |

| | | | |
|-------------------------------|------|-------------|--------------|
| COMPANY | | | |
| TITLE | | | |
| 043 TRANSMITE CIRCUIT DIAGRAM | | | |
| EDUC | SIZE | DRAWING NO: | REV |
| SCALE: | | | SHEET 1 OF 2 |



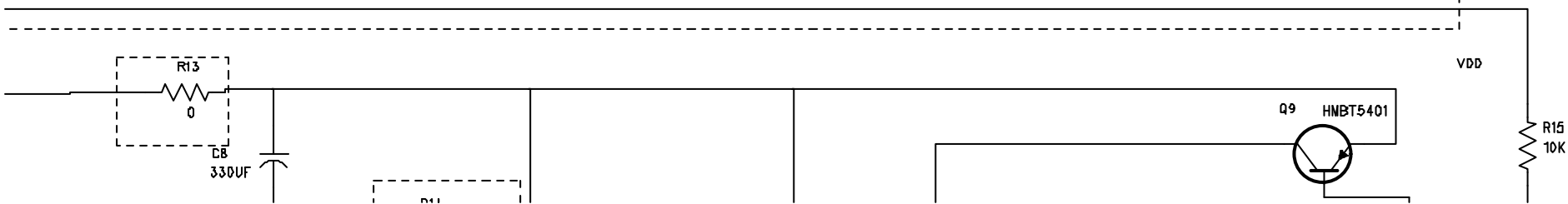
PIR

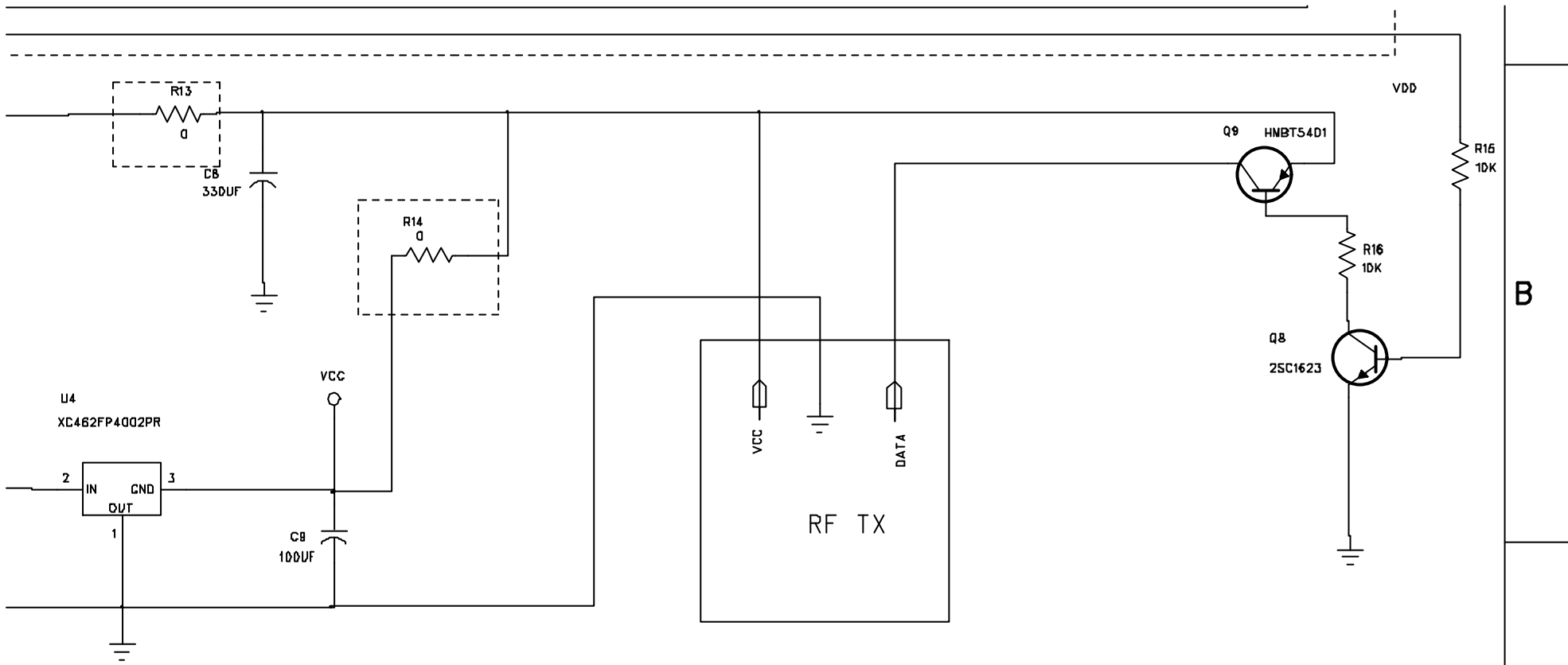
| | | | |
|--|--|--|--|
| | | | |
| | | | |
| | | | |
| | | | |



D

C



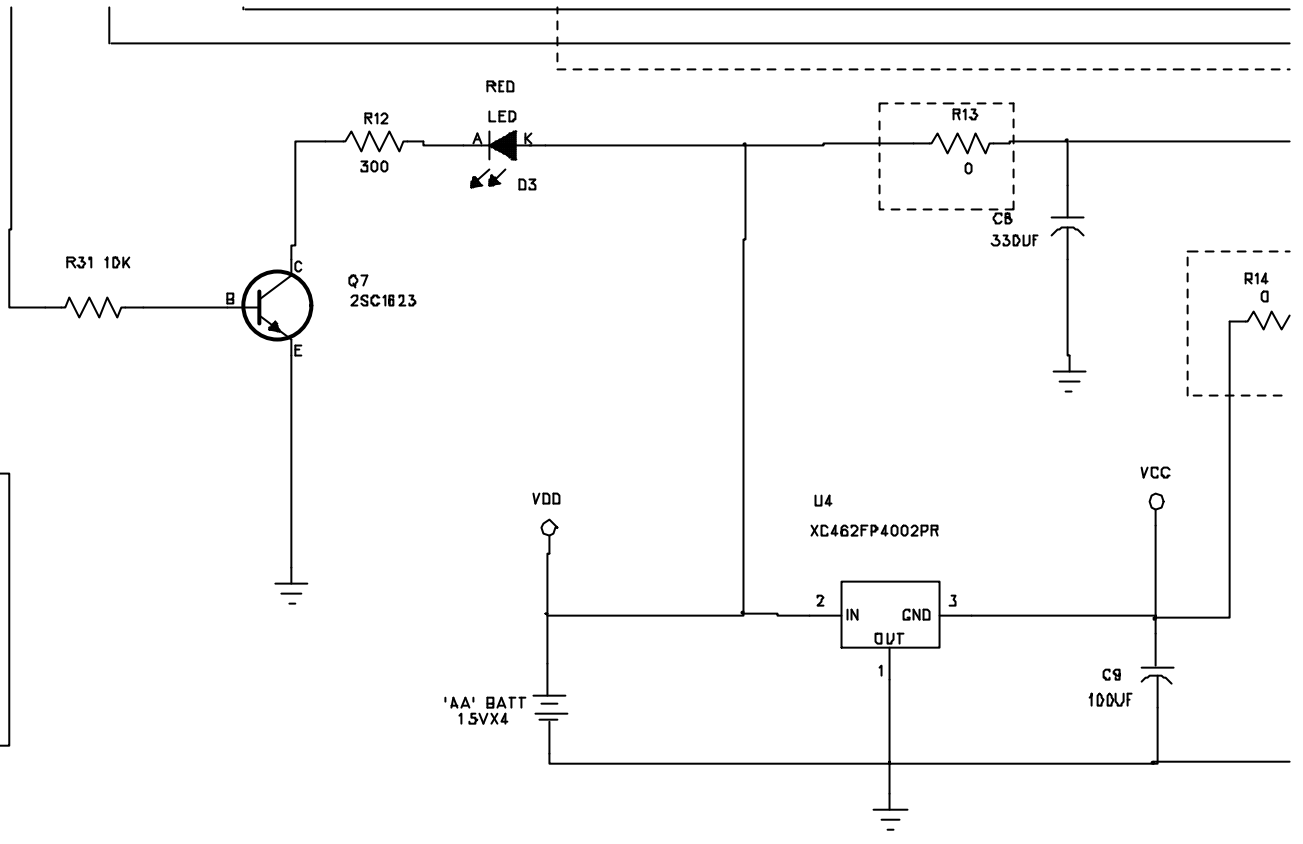
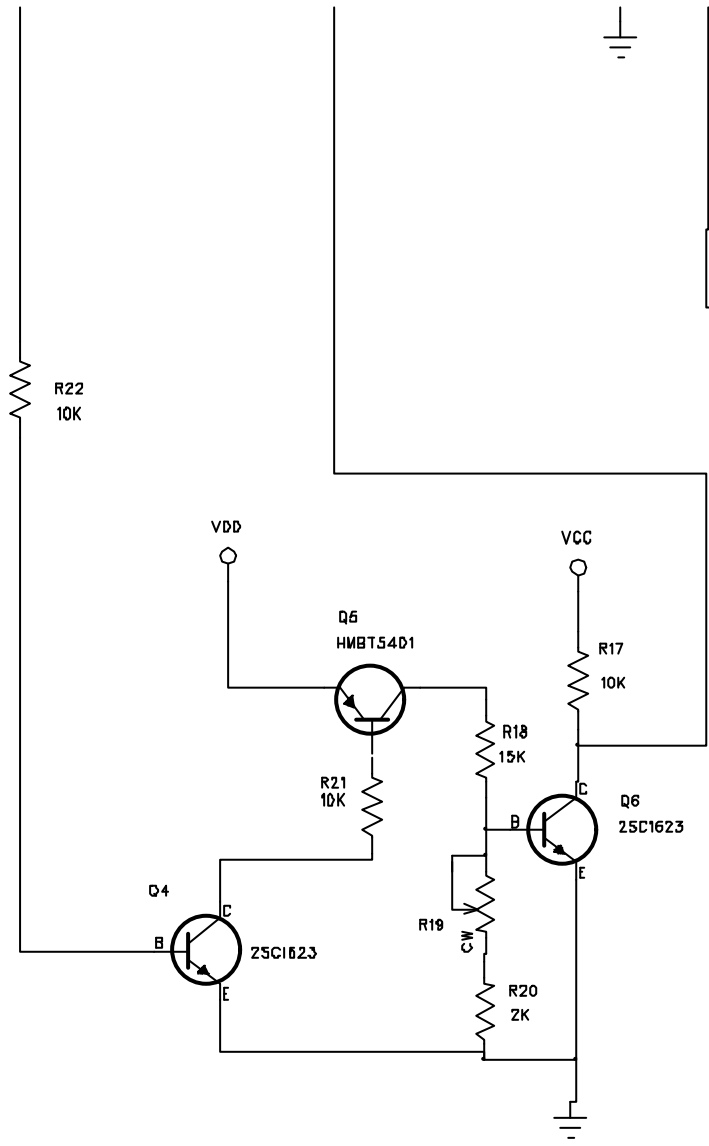


B

A

| | | | |
|---------------------------------------|------|--------------|-----|
| COMPANY: | | | |
| TITLE B43 TRASMIMTE CIRCUIT DIAGAM | | | |
| CODE: | SIZE | DRAWING NO | REV |
| SCALE: | | SHEET 1 OF 2 | |

| | |
|------------------|--------|
| DRAWN: SUNJE | DATED: |
| CHECKED | DATED |
| QUALITY CONTROL: | DATED: |
| RELEASED | DATED |



6

5

4

3

2

1

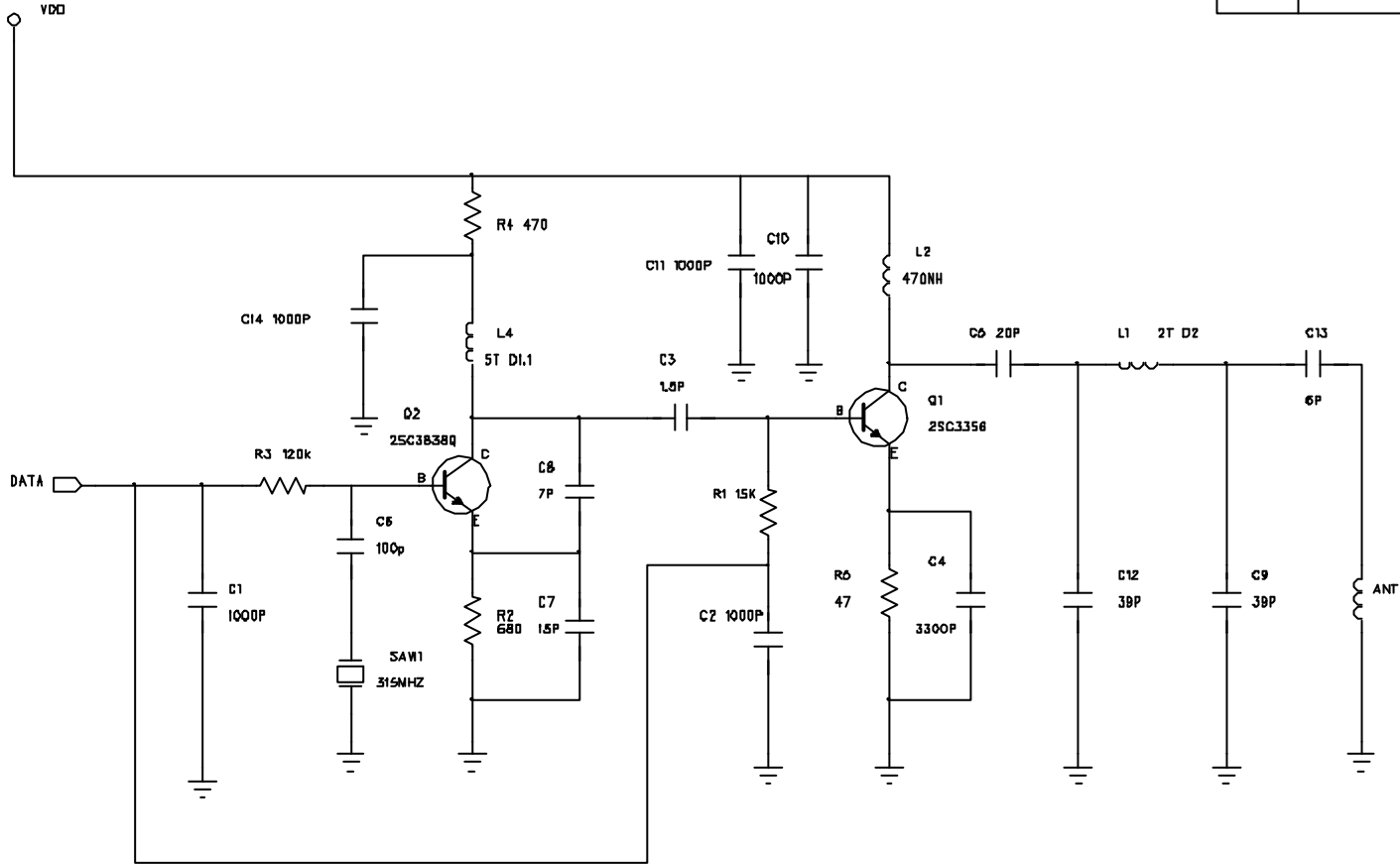
D

C

B

A

| REVISION RECORD | | | |
|-----------------|--------|----------|------|
| LTR | ECO NO | APPROVED | DATE |
| | | | |
| | | | |
| | | | |
| | | | |



| | | | |
|---------------------------|------|--------------|-----|
| COMPANY. | | | |
| TITLE. B43 Transmitter | | | |
| CODE | SIZE | DRAWING NO | REV |
| SCALE | | SHEET 1 OF 1 | |

| | |
|------------------|--------|
| DRAWN SUN JIE | DATED: |
| CHECKED. | DATED: |
| QUALITY CONTROL. | DATED: |
| RELEASED. | DATED: |

