

2.75 inch

MODEL: ML815TK **WIRELESS PIR RECEIVER**

Complies with CANADA 210

FCC ID: DI2-ML815TK CANADA: XXXXXX

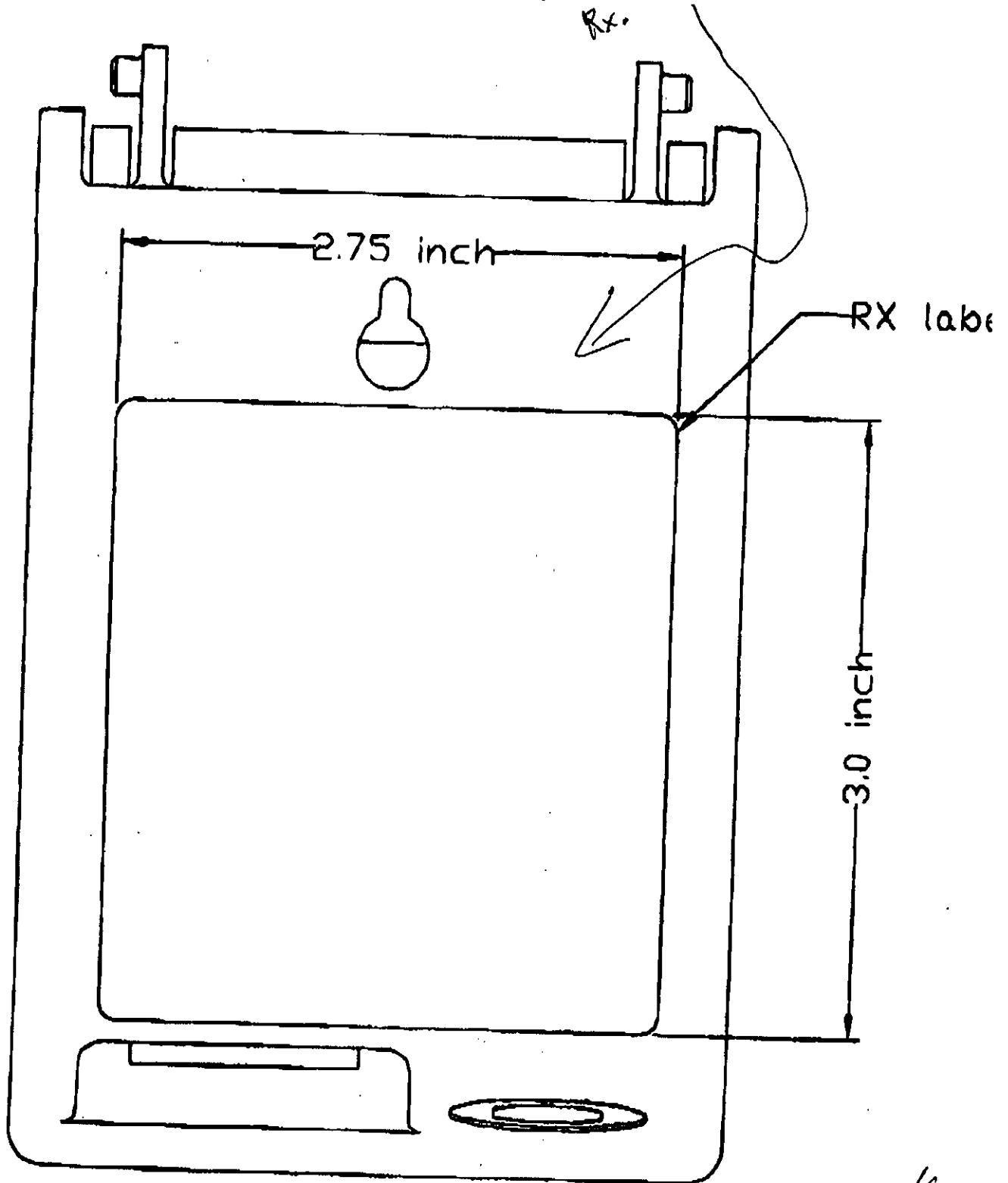
This device complies with part 15 of the FCC Rules. Operation is subject to the following conditions: (1) this device may not cause harmful interference, and (2) this device must accept any interference received, including interference that may cause undesired operation.

3.0 inch

INTERMATIC INCORPORATED
WWW.INTERMATIC.COM 154LV22315

844/ML815TK

* The label cannot be made on the battery cover!
There is no battery cover for Rx.



Bottom view of the 844

2/6

~~not~~