

6

5

4

3

2

1

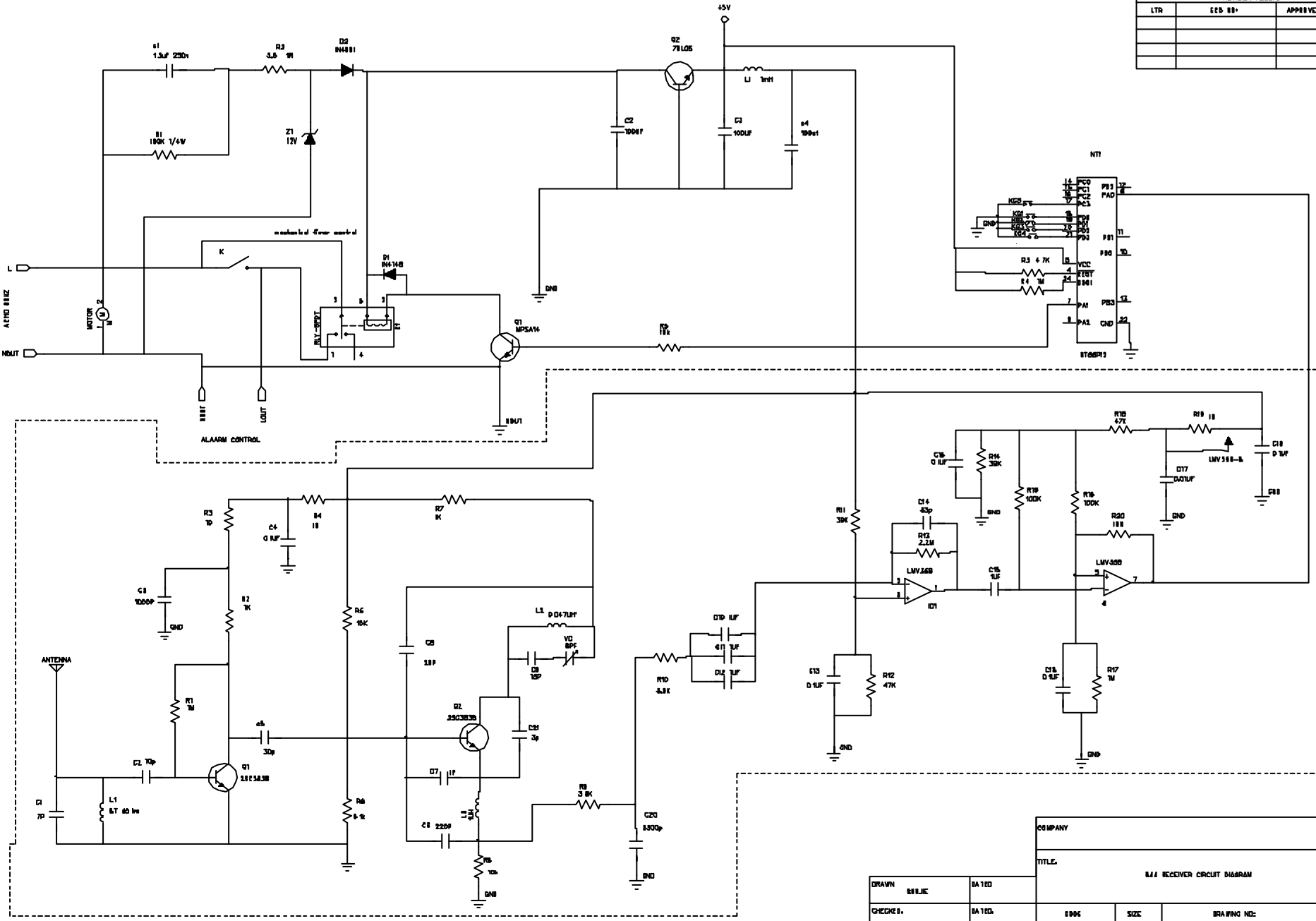
REVISION RECORD			
LTR	ECO BB*	APPROVED*	DATE

D

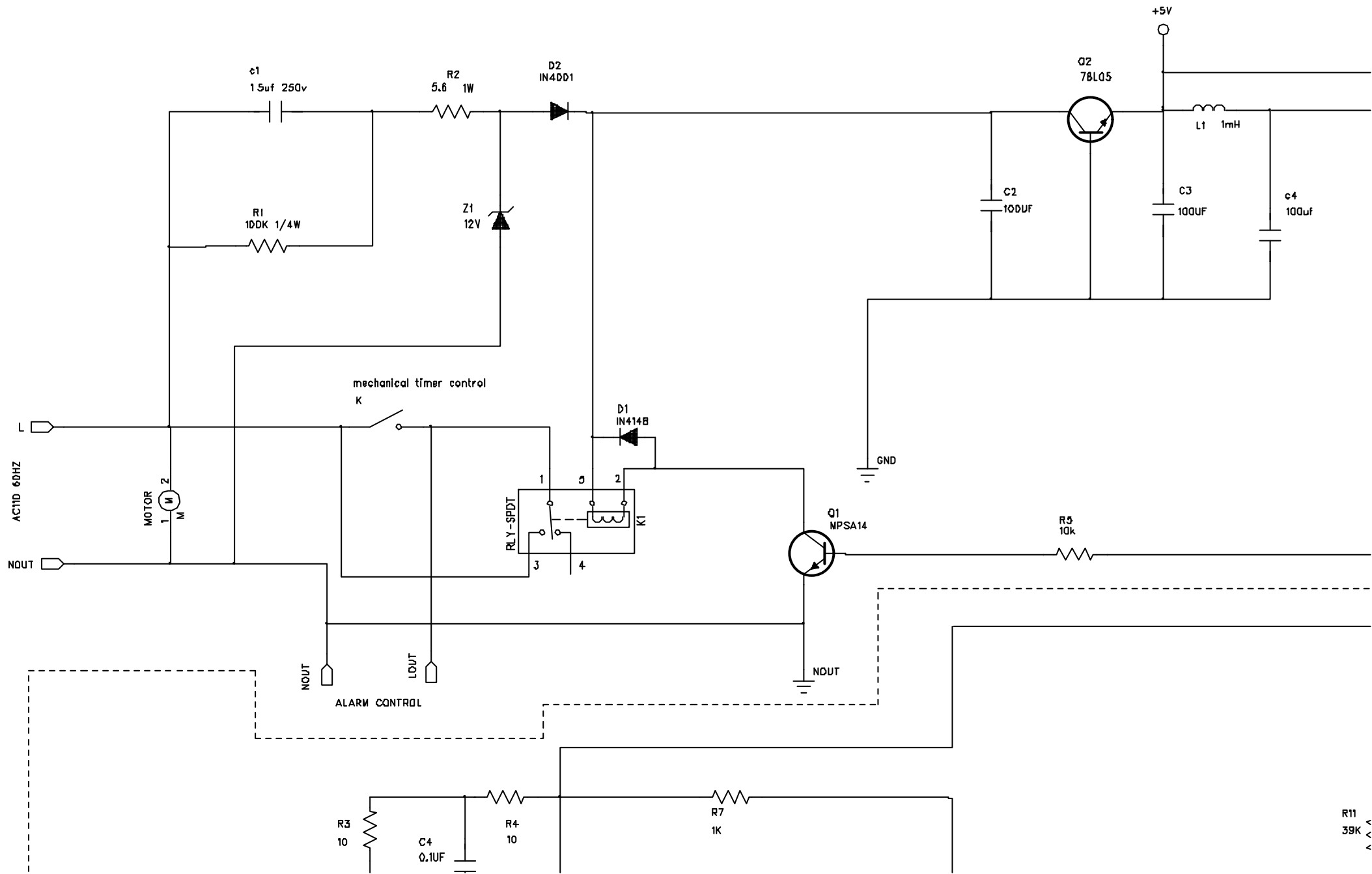
C

B

A

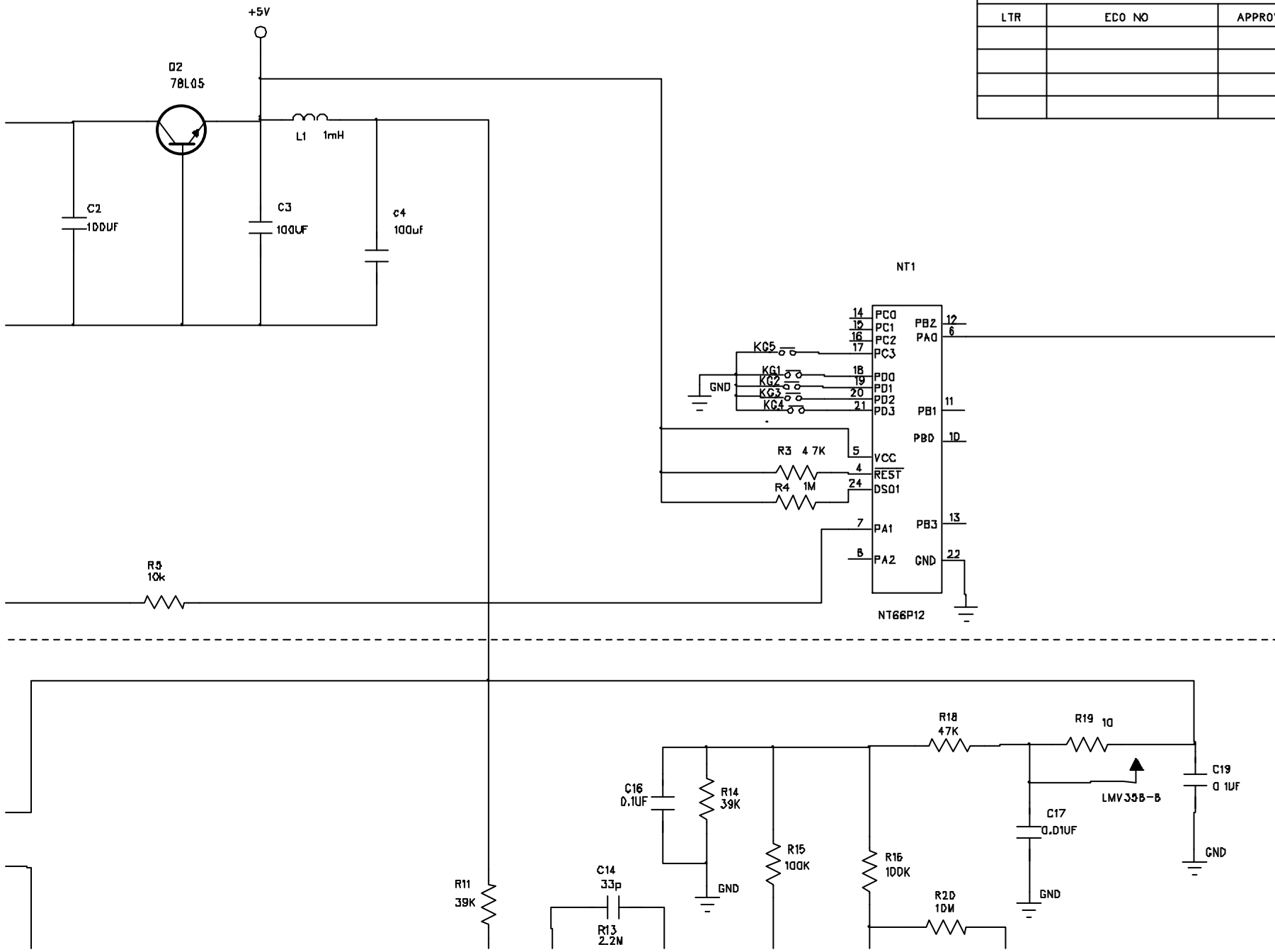


COMPANY					
TITLE: SAA RECEIVER CIRCUIT DIAGRAM					
DRAWN: BILJIC	BA 1ED	1006	SIZE	DRAWING NO:	REV
CHECKED:	BA 1ED				
QUALITY CONTROL:	BA 1ED	SCALE:		SHEET: 1 OF 1	
RELEASED:	BA 1ED				



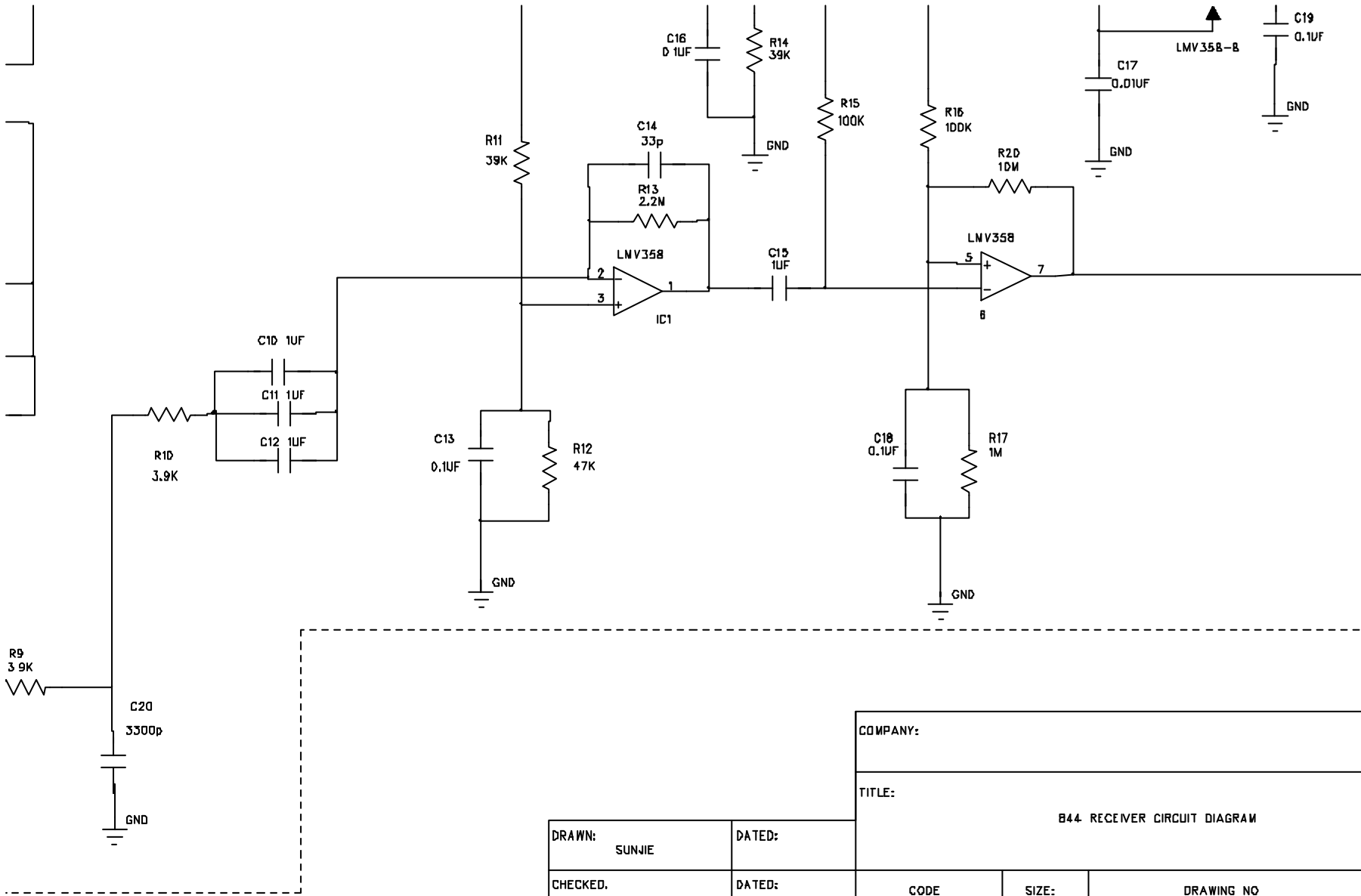
R11 39K

LTR	ECO NO	APPROVED	DATE



D

C



B

A

COMPANY:			
TITLE: B44 RECEIVER CIRCUIT DIAGRAM			
CODE	SIZE:	DRAWING NO	REV:
SCALE			SHEET: 1 OF 1

DRAWN: SUNJIE	DATED:
CHECKED:	DATED:
QUALITY CONTROL:	DATED:
RELEASED:	DATED:

