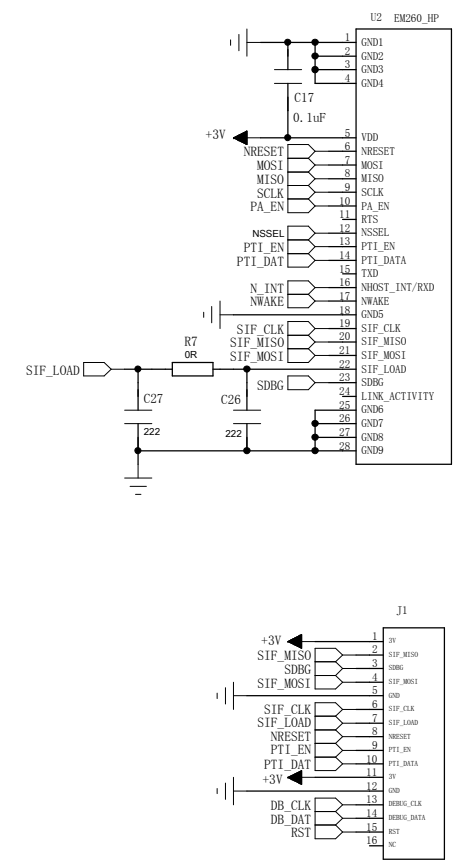
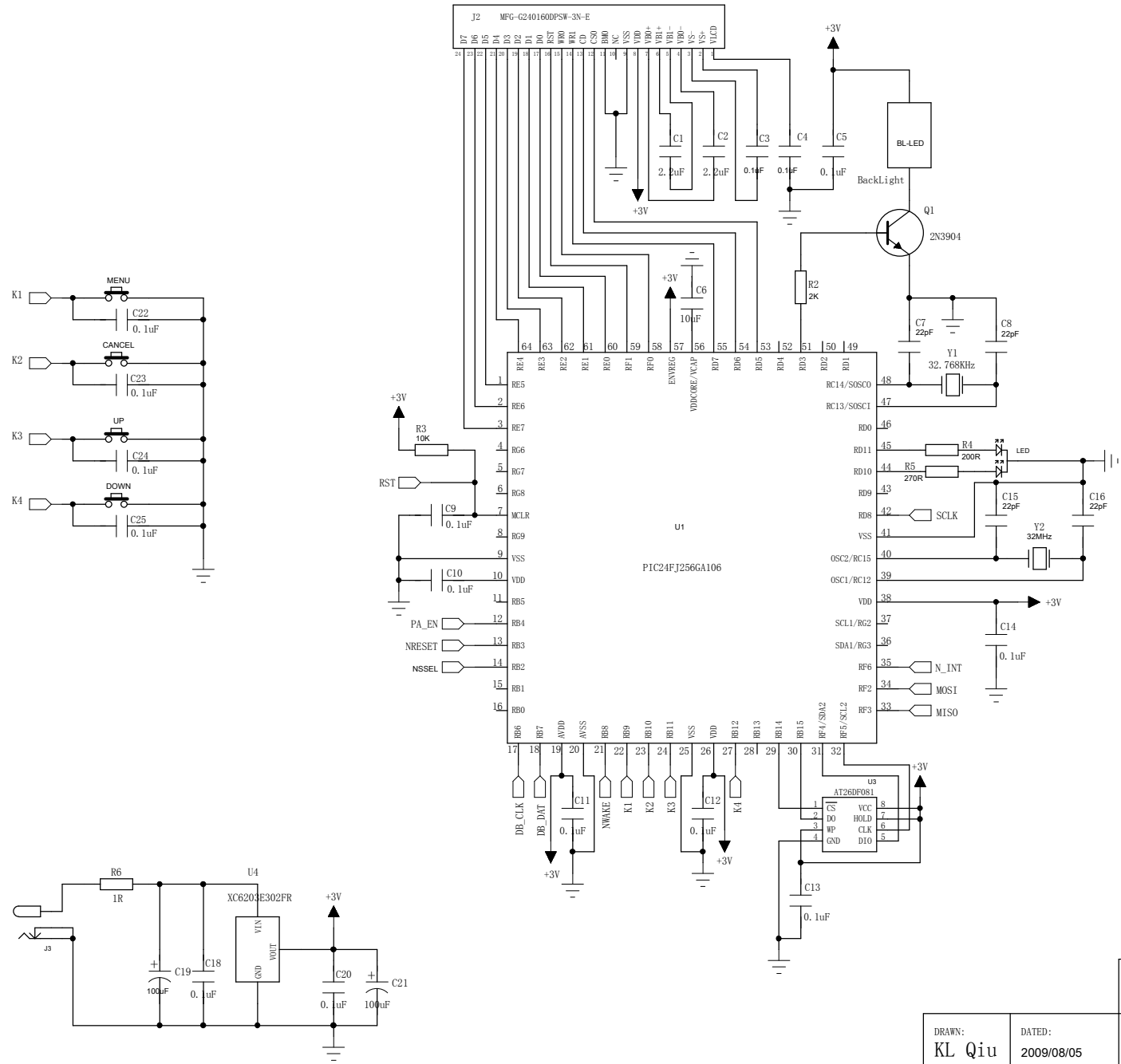


REVISION RECORD			
LTR	ECO NO:	APPROVED:	DATE:
Rev0.0	首次发行		

D  
C  
B  
A

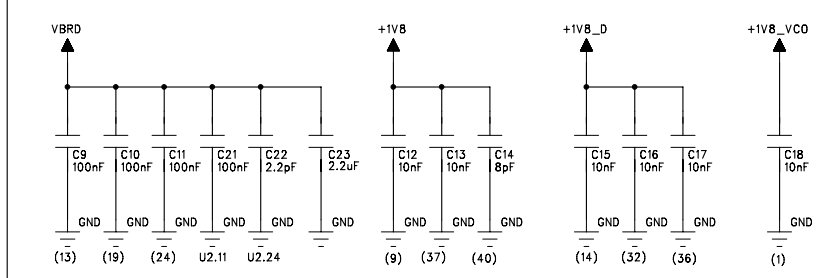
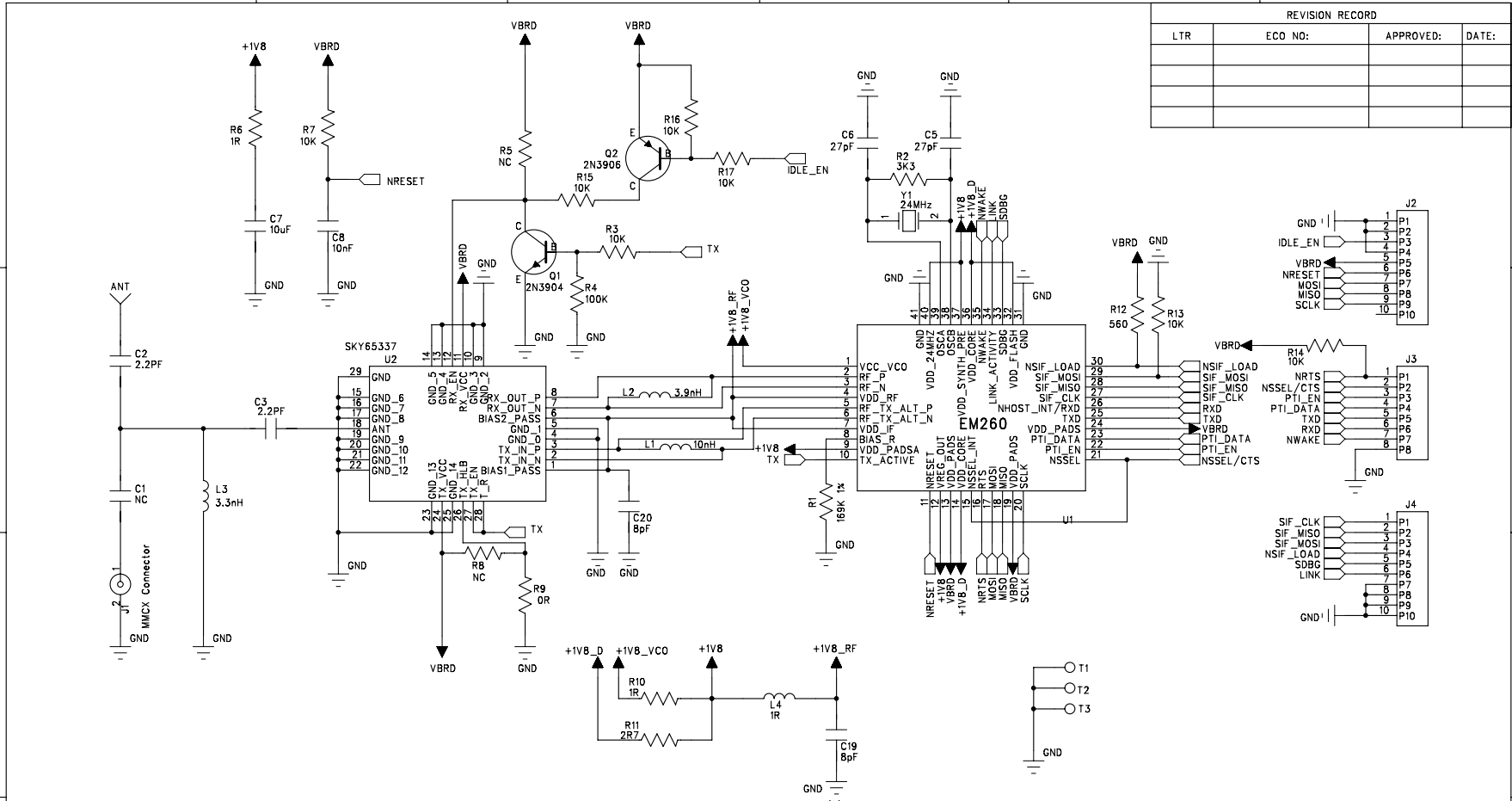


COMPANY: Computime - R&D Center

DRAWN: KL Qiu	DATED: 2009/08/05	TITLE: GES3081 In Home Display	REV: V0.0
APPROVED: Gordon Qian	DATED:	SIZE: A3	File Name: CTL3082
RELEASED:	DATED:	SCALE:	PCB FILE NAME: CTL3082
			SHEET: 1 OF 1

6 | 5 | 4 | 3 | 2 | 1

REVISION RECORD			
LTR	ECO NO:	APPROVED:	DATE:



COMPANY: <b>COMPUTIME</b>			
TITLE: <b>CT-EM2606</b>			
DRAWN: <b>MikeLin</b>	DATED: 2009-3-24	CODE:	REV: 0.1
CHECKED:	DATED:	SIZE: A3	DRAWING NO:
QUALITY CONTROL:	DATED:	SHEET: 1 OF 1	
RELEASED:	DATED:	SCALE: 1:1	

D  
C  
B  
A

D  
C  
B  
A