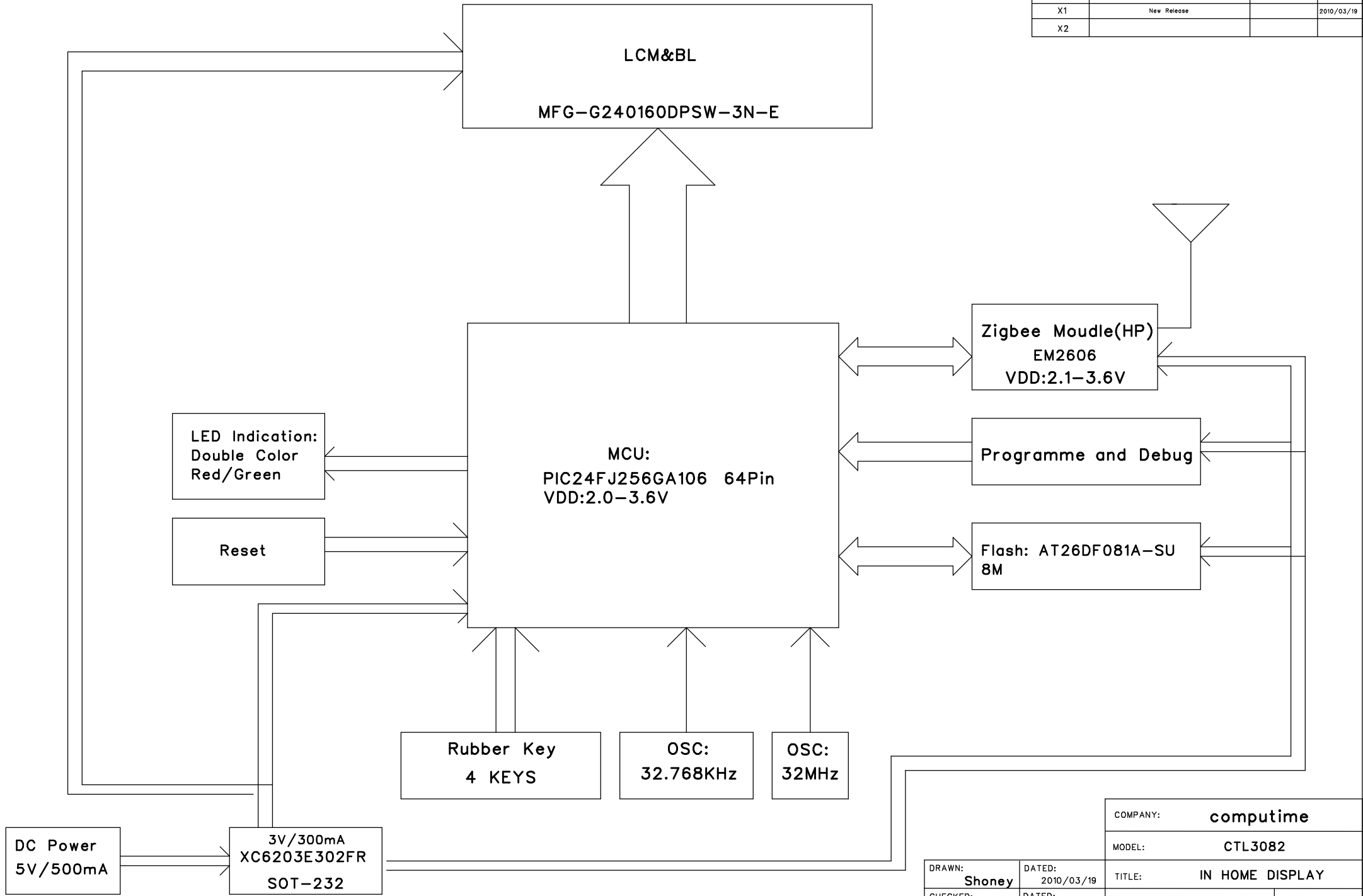
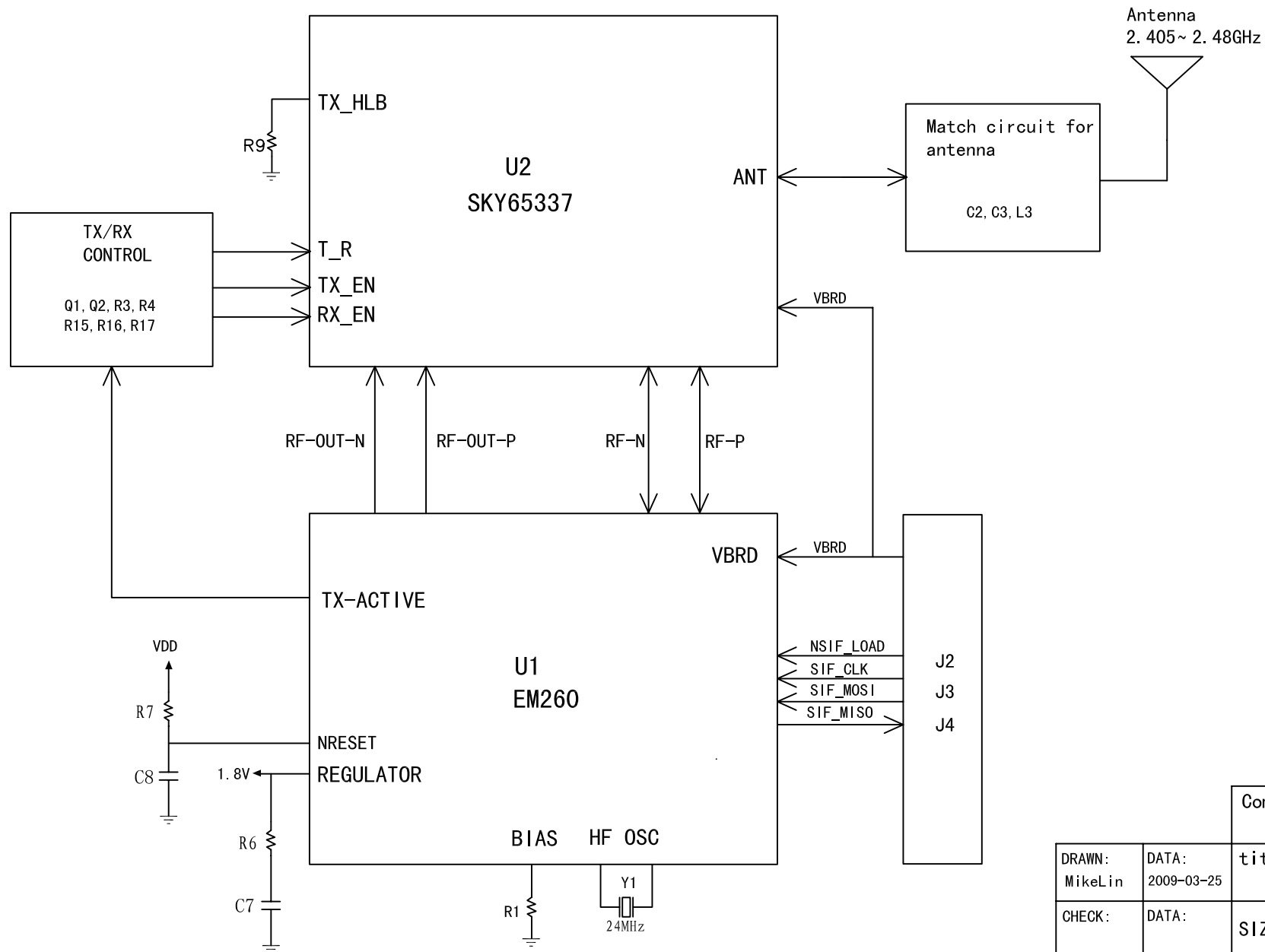


REVISION RECORD			
REV.:	Record	APPROVED:	DATE:
X1	New Release		2010/03/19
X2			



DRAWN: <b>Shoney</b>		DATED: 2010/03/19		COMPANY: <b>computime</b>	
CHECKED: <b>Shoney</b>		DATED: 2010/03/19		MODEL: <b>CTL3082</b>	
RELEASED: <b>Gordon</b>		DATED: 2010/03/19		TITLE: <b>IN HOME DISPLAY</b>	
PCB REV.: 1.0			REV: X1		
SCALE: 1:1			SHEET: 1 OF 1		

# BLOCK DIAGRAM



		Company:			
		Computime			
DRAWN:	DATA:	title:			
MikeLin	2009-03-25	CT-EM2606 BLOCK DIAGRAM			
CHECK:	DATA:	SIZE	A4	VER	1.0
CONTROL:	DATA:	SCALE	1:1	SHEET	1 OF 1

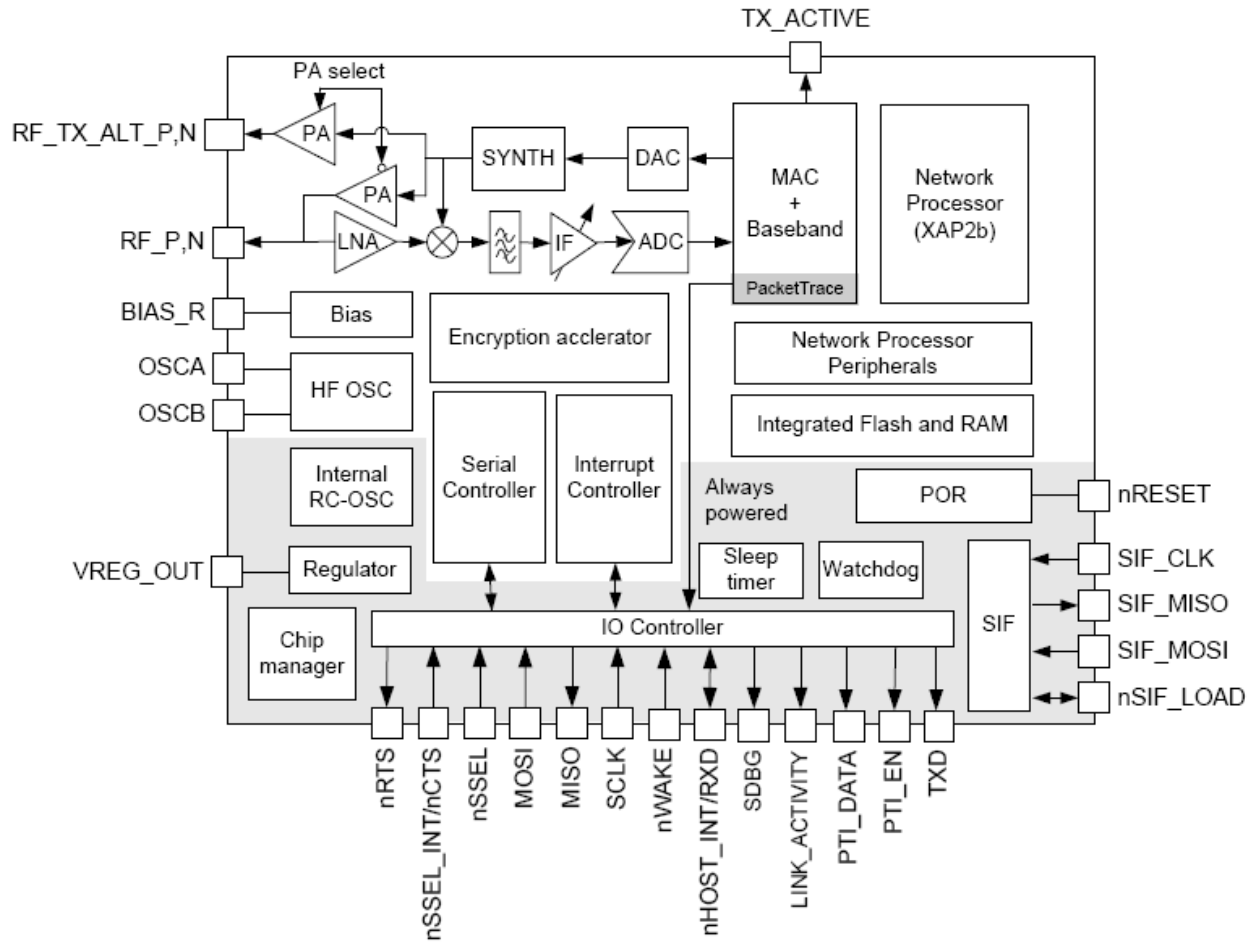


Figure 3. EM260 Block Diagram

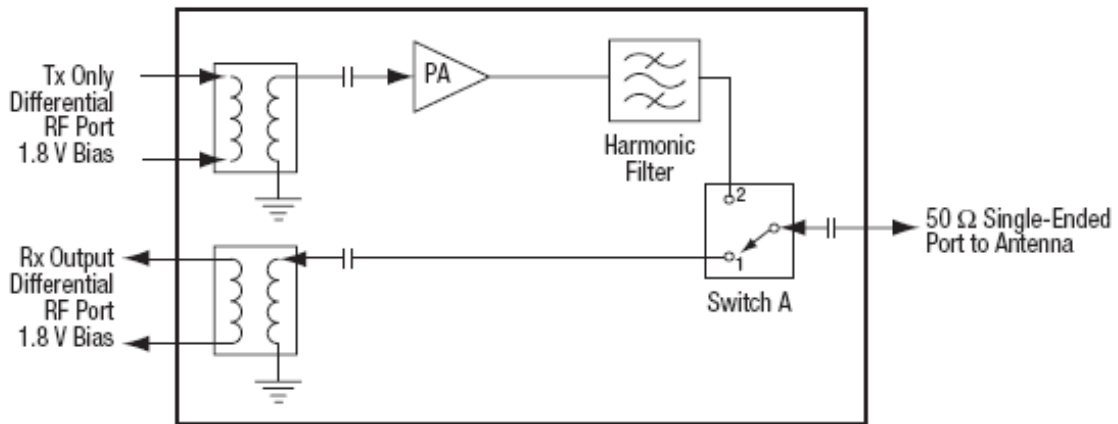


Figure 1. SKY65337-11 Block Diagram