

6

5

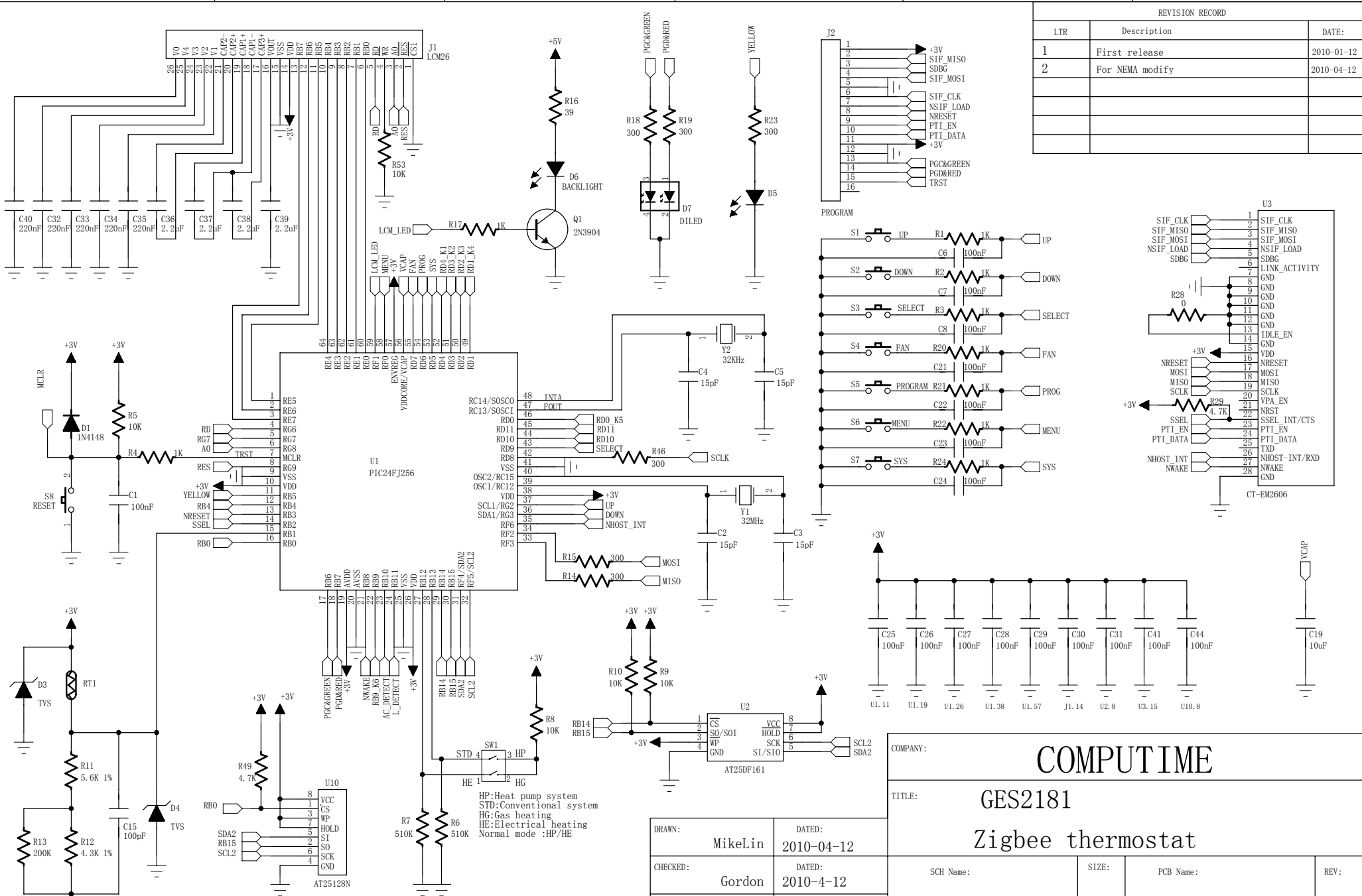
4

3

2

1

REVISION RECORD		
LTR	Description	DATE:
1	First release	2010-01-12
2	For NEMA modify	2010-04-12



DRAWN:	MikeLin	DATED:	2010-04-12
CHECKED:	Gordon	DATED:	2010-4-12
Approval:		DATED:	
Release:		DATED:	

COMPANY: COMPUTIME			
TITLE: GES2181 Zigbee thermostat			
SCH Name:	SIZE:	PCB Name:	REV:
	A3		2.0
SCALE: 1:1			SHEET: 1 OF 4

6

5

4

3

2

1

D

D

C

C

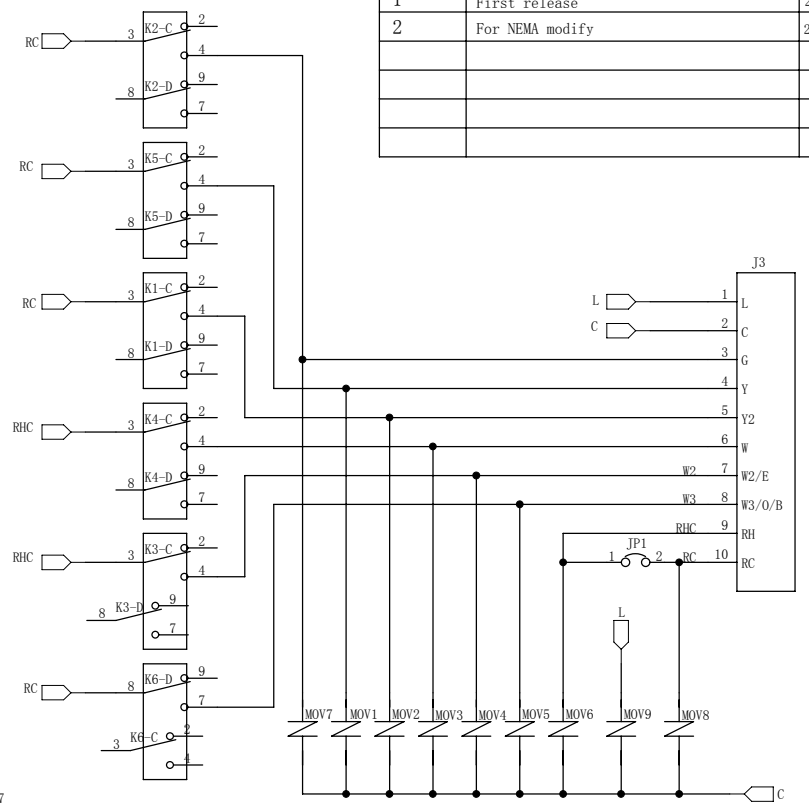
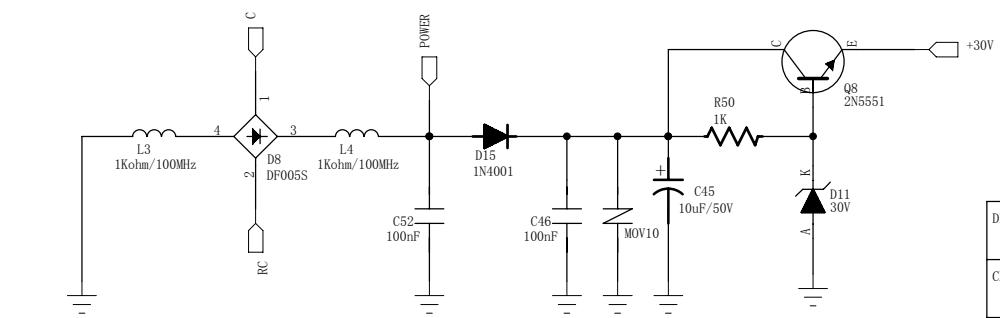
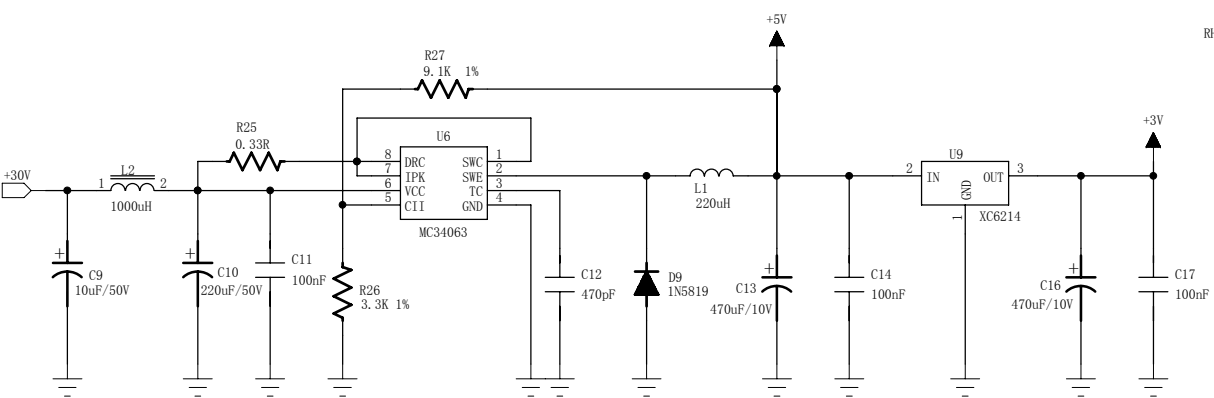
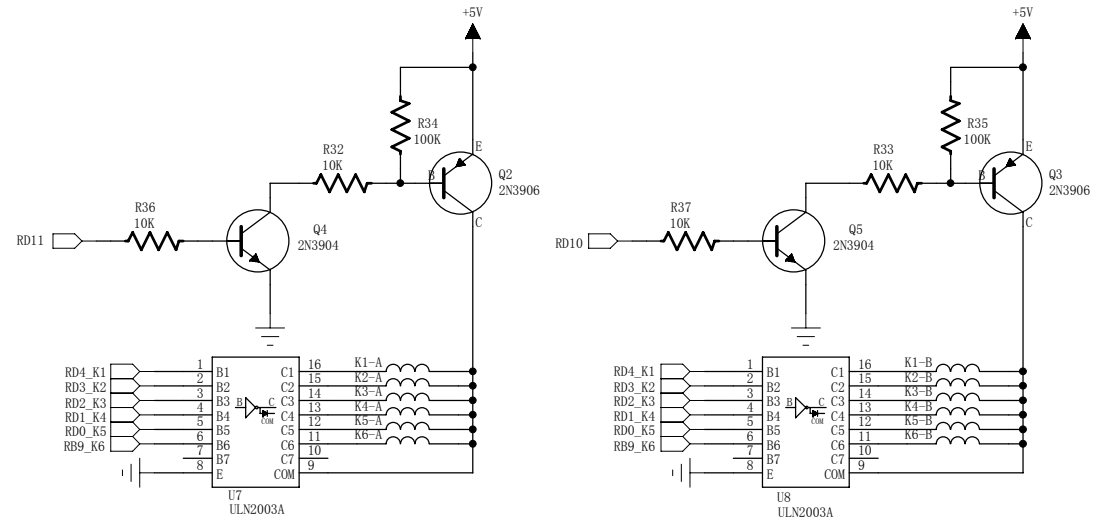
B

B

A

A

REVISION RECORD		
LTR	Description	DATE:
1	First release	2010-01-12
2	For NEMA modify	2010-04-12



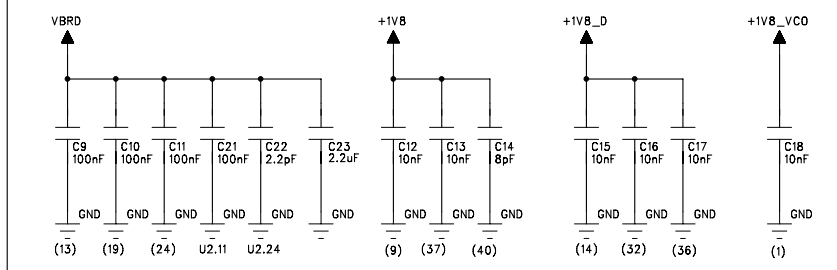
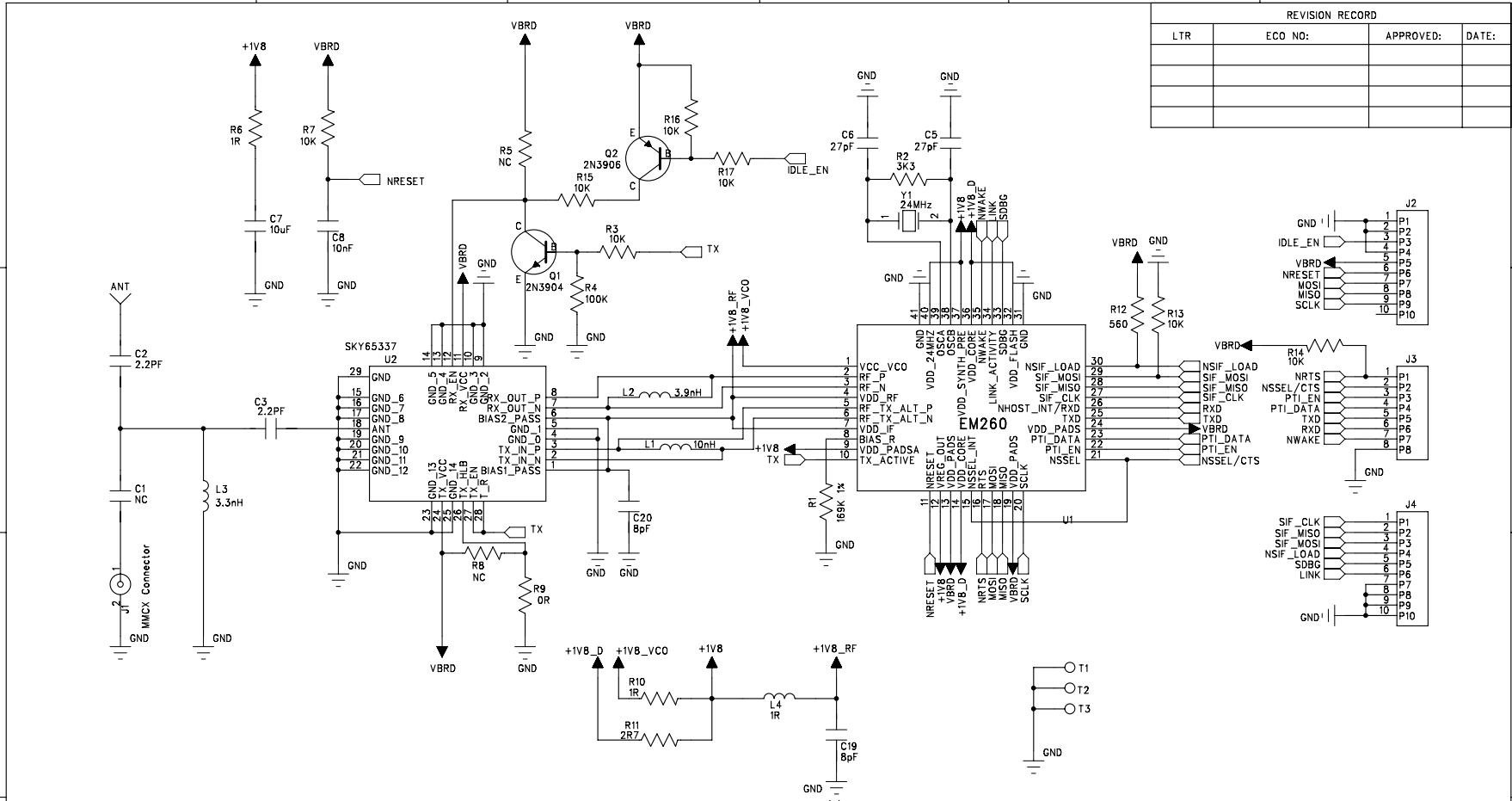
COMPANY: **COMPUTIME**

TITLE: **GES2181 Zigbee thermostat**

DRAWN: MikeLin	DATED: 2010-04-12	SCH Name:	SIZE: A3	PCB Name:	REV: 2.0
CHECKED: Gordon	DATED: 2010-4-12				
Approval:	DATED:	SCALE: 1:1		SHEET: 2 OF 4	
Release:	DATED:				

6 | 5 | 4 | 3 | 2 | 1

REVISION RECORD			
LTR	ECO NO:	APPROVED:	DATE:



DRAWN: MikeLin	DATED: 2009-3-24
CHECKED:	DATED:
QUALITY CONTROL:	DATED:
RELEASED:	DATED:

COMPANY: COMPUTIME			
TITLE: CT-EM2606			
CODE:	SIZE: A3	DRAWING NO:	REV: 0.1
SCALE: 1:1			SHEET: 1 OF 1

D
C
B
A

D
C
B
A