

6

5

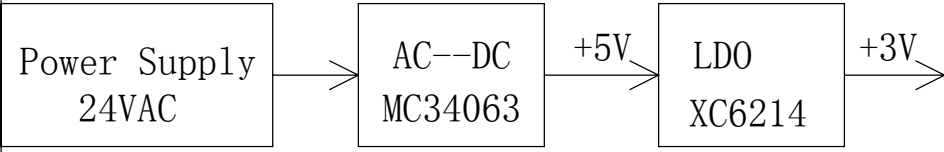
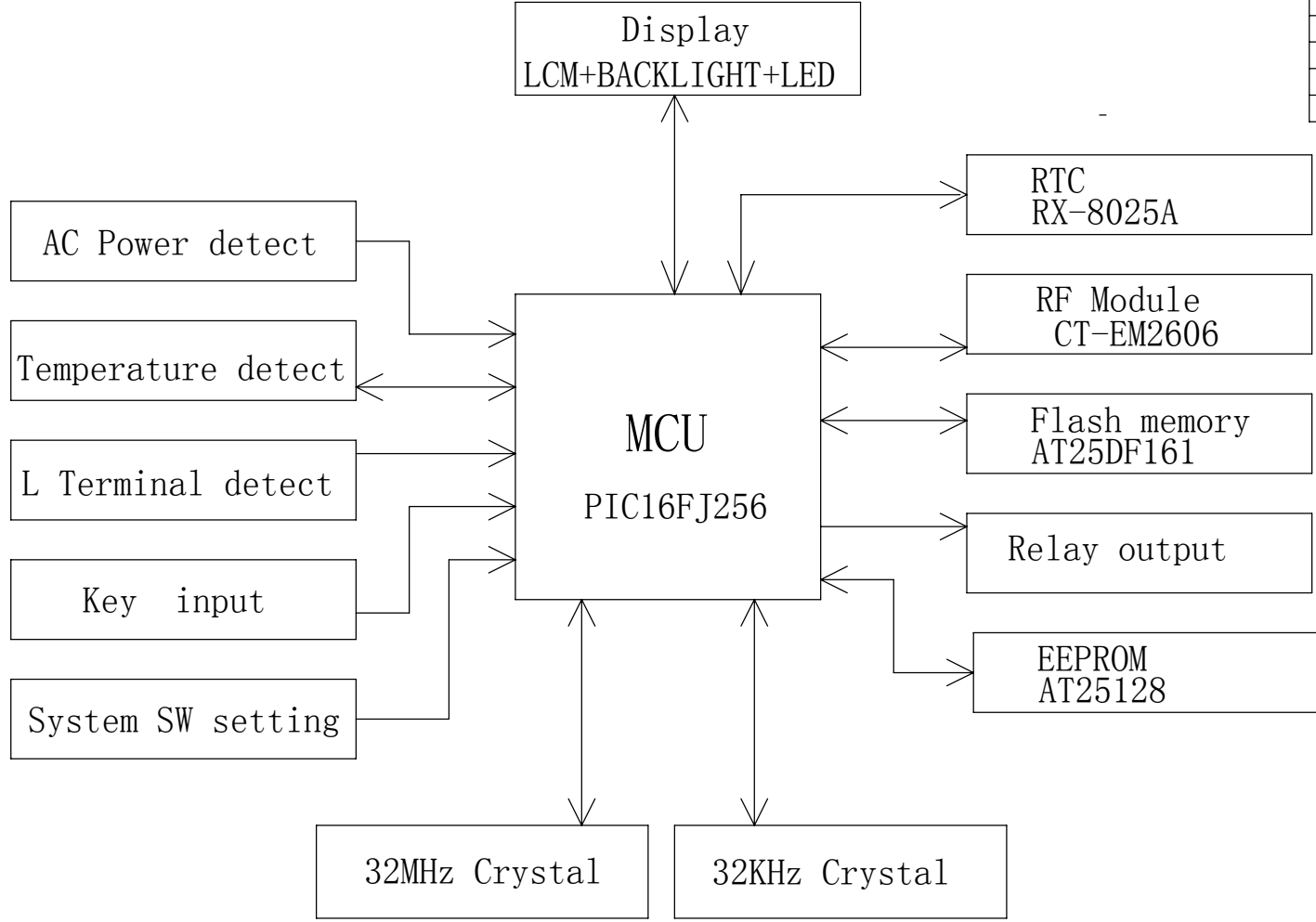
4

3

2

1

REVISION RECORD		
LTR	Description	DATE:
1	First release	2010-01-12
2	For NEMA modify	2010-04-12



COMPANY: **COMPUTIME**

TITLE: **GES2181**
Zigbee thermostat

SCH Name:	SIZE: A3	PCB Name:	REV: 2.0
-----------	-----------------	-----------	-----------------

SCALE: 1:1 SHEET: 4 OF 4

DRAWN:	MikeLin	DATED:	2010-04-12
CHECKED:	Gordon	DATED:	2010-4-12
Approval:		DATED:	
Release:		DATED:	

D

C

B

A

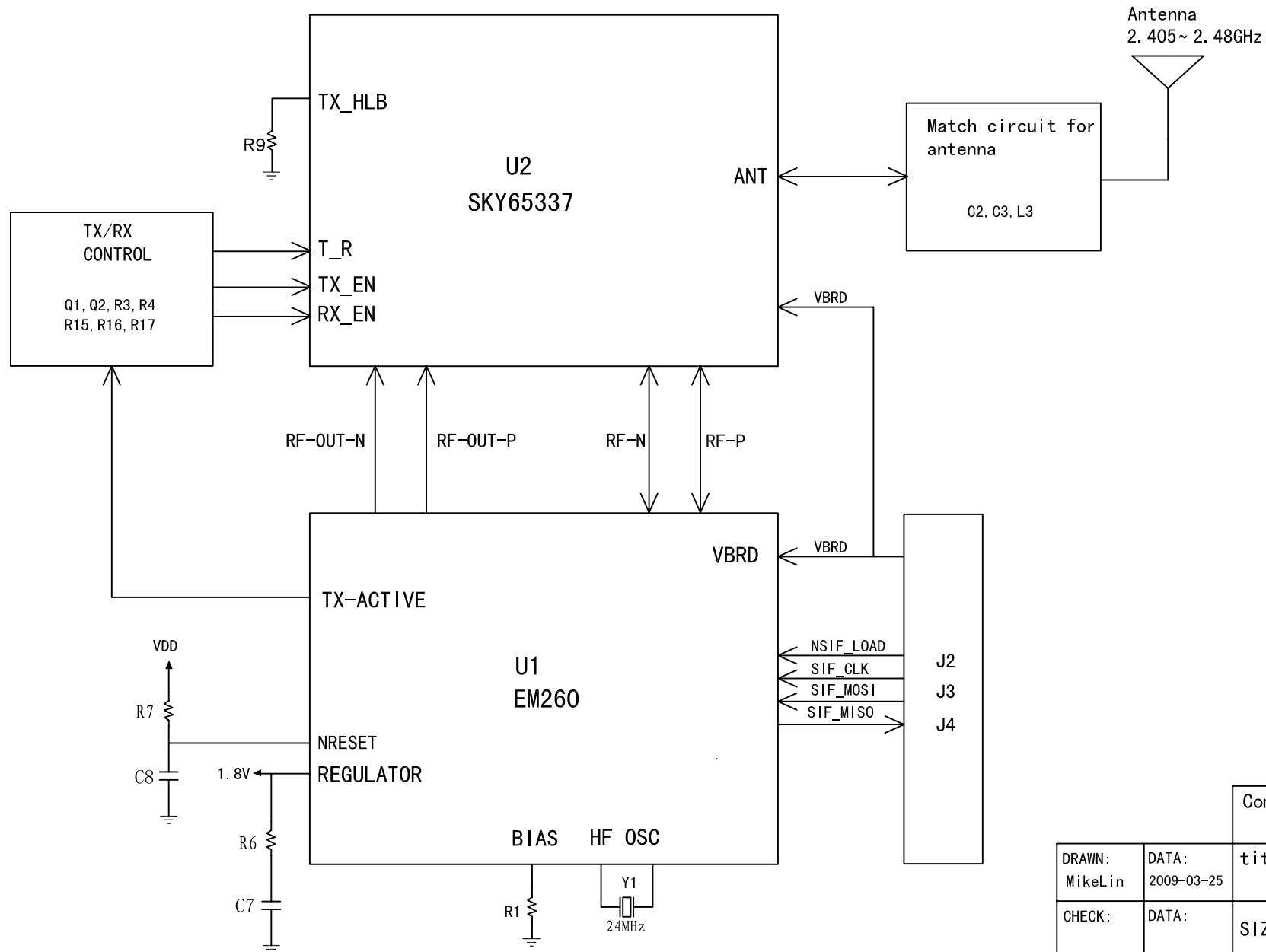
D

C

B

A

BLOCK DIAGRAM



Company:
Computime

DRAWN: MikeLin	DATA: 2009-03-25	title: CT-EM2606 BLOCK DIAGRAM			
CHECK:	DATA:	SIZE	A4	VER	1.0
CONTROL:	DATA:	SCALE	1:1	SHEET	1 OF 1

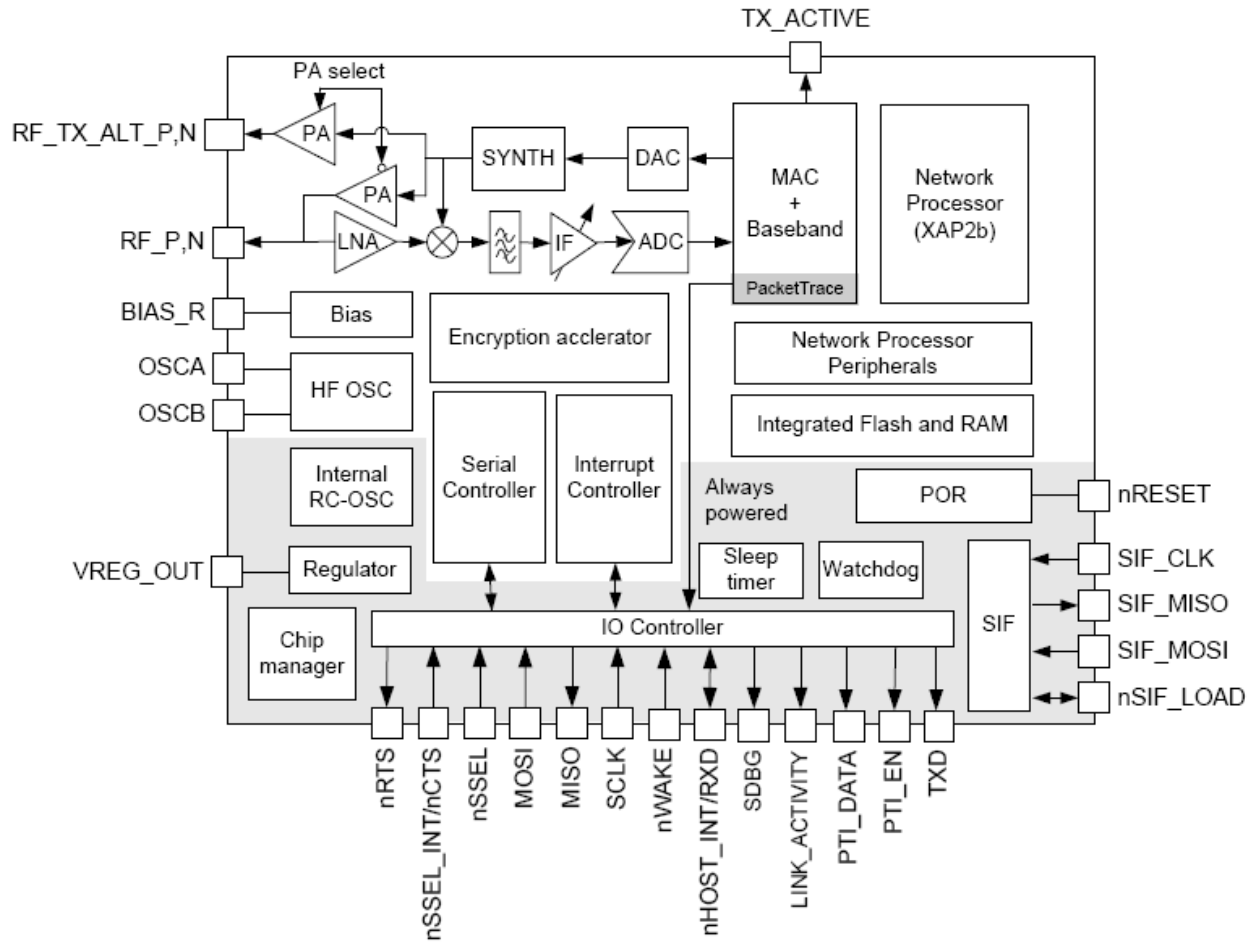


Figure 3. EM260 Block Diagram

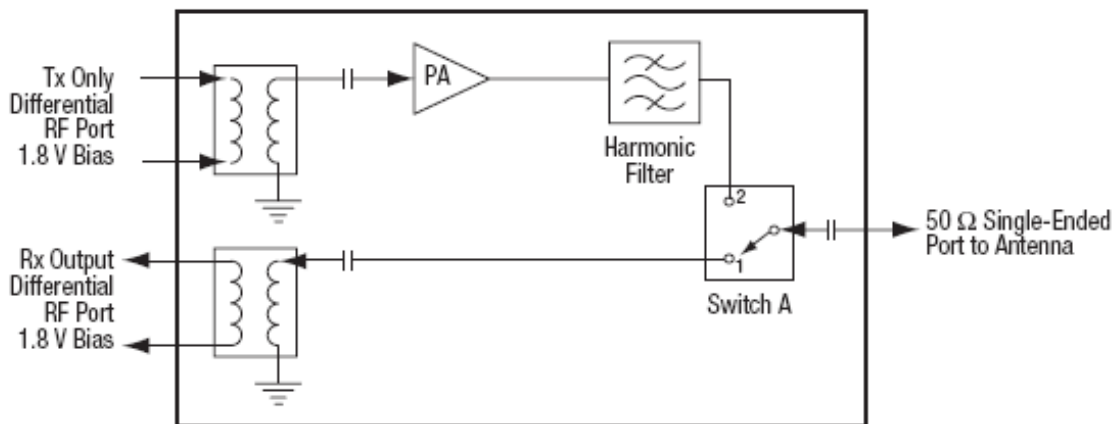


Figure 1. SKY65337-11 Block Diagram