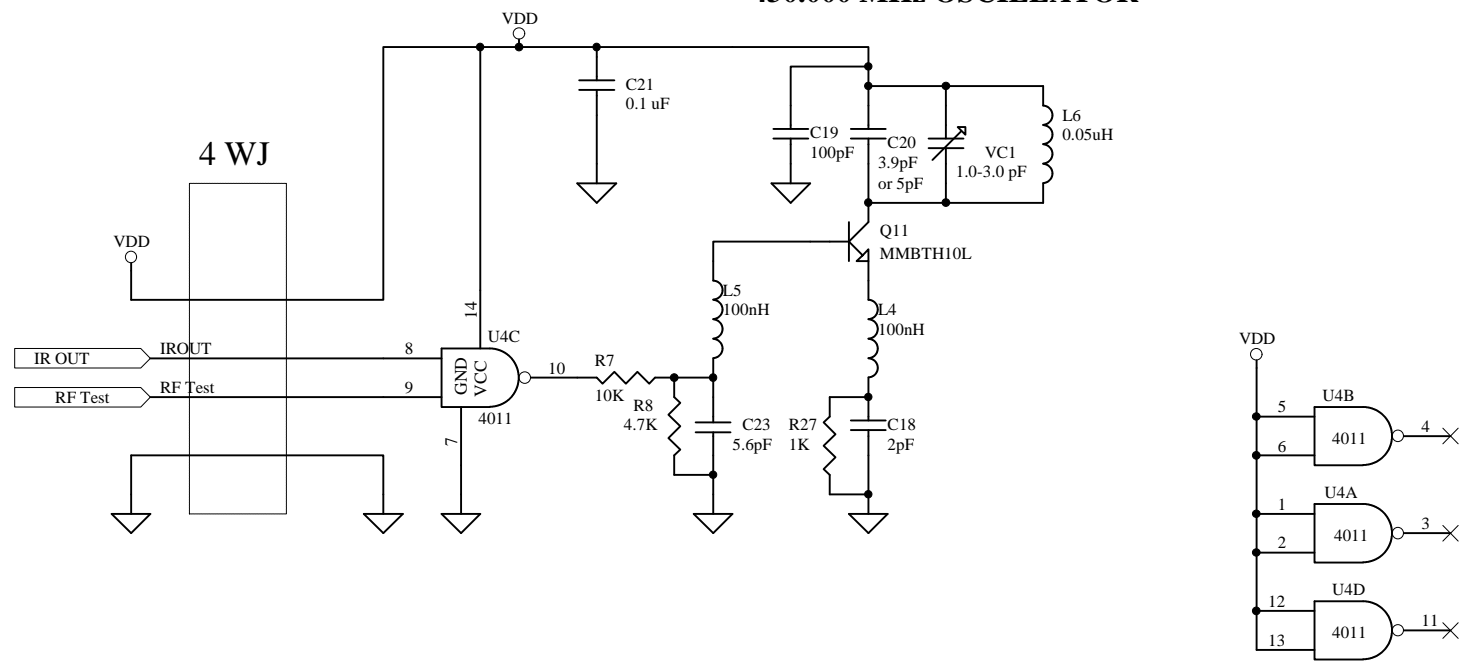



DOCUMENT REVISION STATUS							
ECO#	ZONE	REV.	DESCRIPTION OF CHANGE	Chgd. By	DATE	APPR.	DATE
		1	C21 = 0.1 uF to reduce VDD noise.	H.M.	08/12/02	J.M.	08/16/02

430.000 MHz OSCILLATOR



CONFIDENTIAL: This document contains information which is confidential and proprietary to Universal Electronics Inc.

Universal Electronics Inc.  6101 Gateway Drive Cypress, CA 90630 Phone 714-820-1000 FAX 714-820-1010		Title RF Transmitter Module Size: A Number: UEIS-10265 Design by:		Revision: 1 Drawn By: 08/16/02	
File: H:\DESKTOP\Agile\10265_1.sch			Date: 19-Aug-2002 Time: 11:07:06 Sheet 1 of 1		