

Layout Notes: **
 Place as close to IRI as possible.
 Place DATA OUT (P3.0) trace well away from the RED LED trace and the VBATT trace.

Note: IRI *
 - Learner IR diode.
 - Plastic must have a mark to indicate this is the Learner diode.

CAUTION: This is a preliminary, unnumbered package and may change without notice. The package is to be used for reference only.

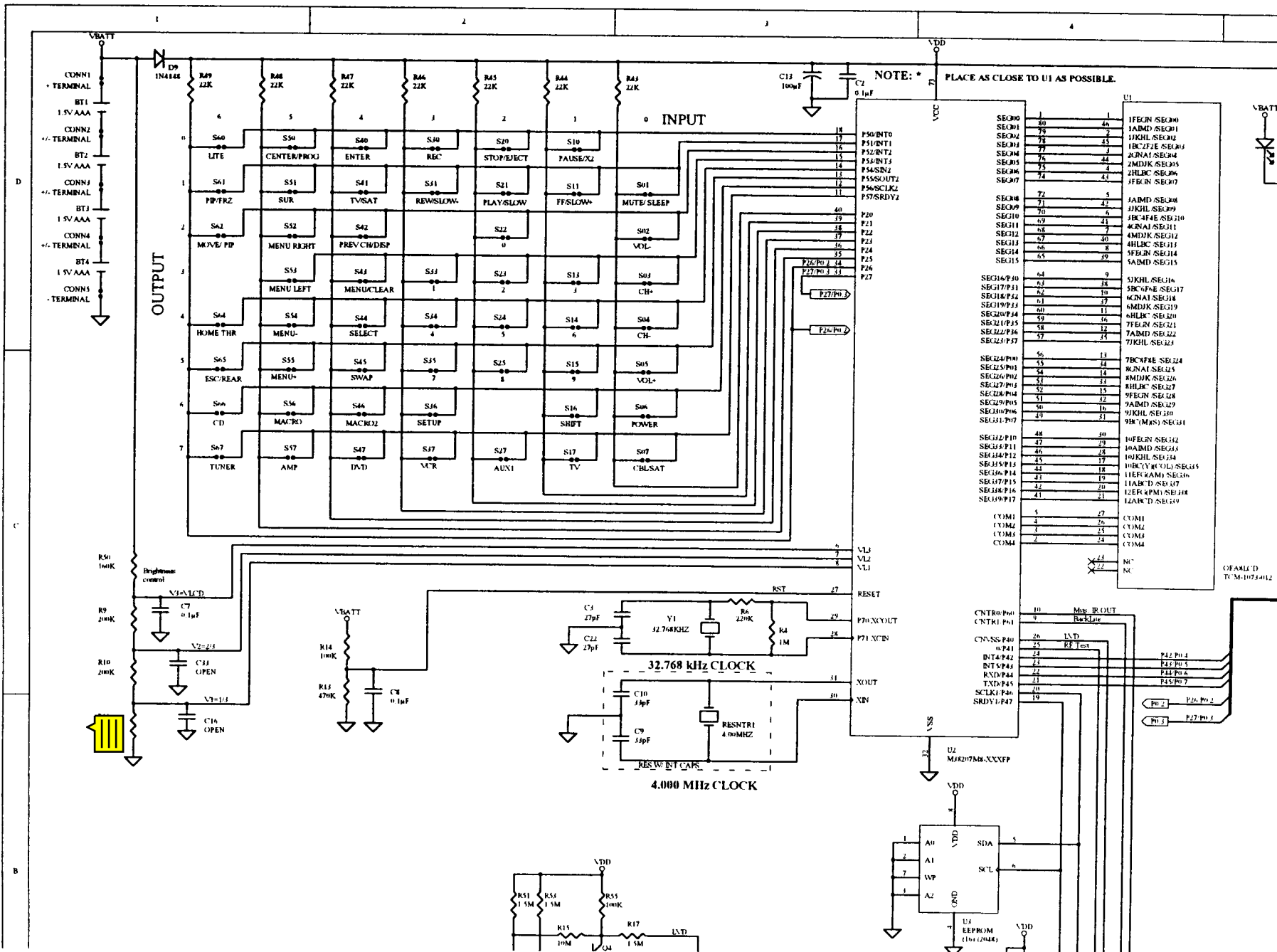
CONFIDENTIAL: This document contains information that is confidential and proprietary to Universal Electronics, Inc.

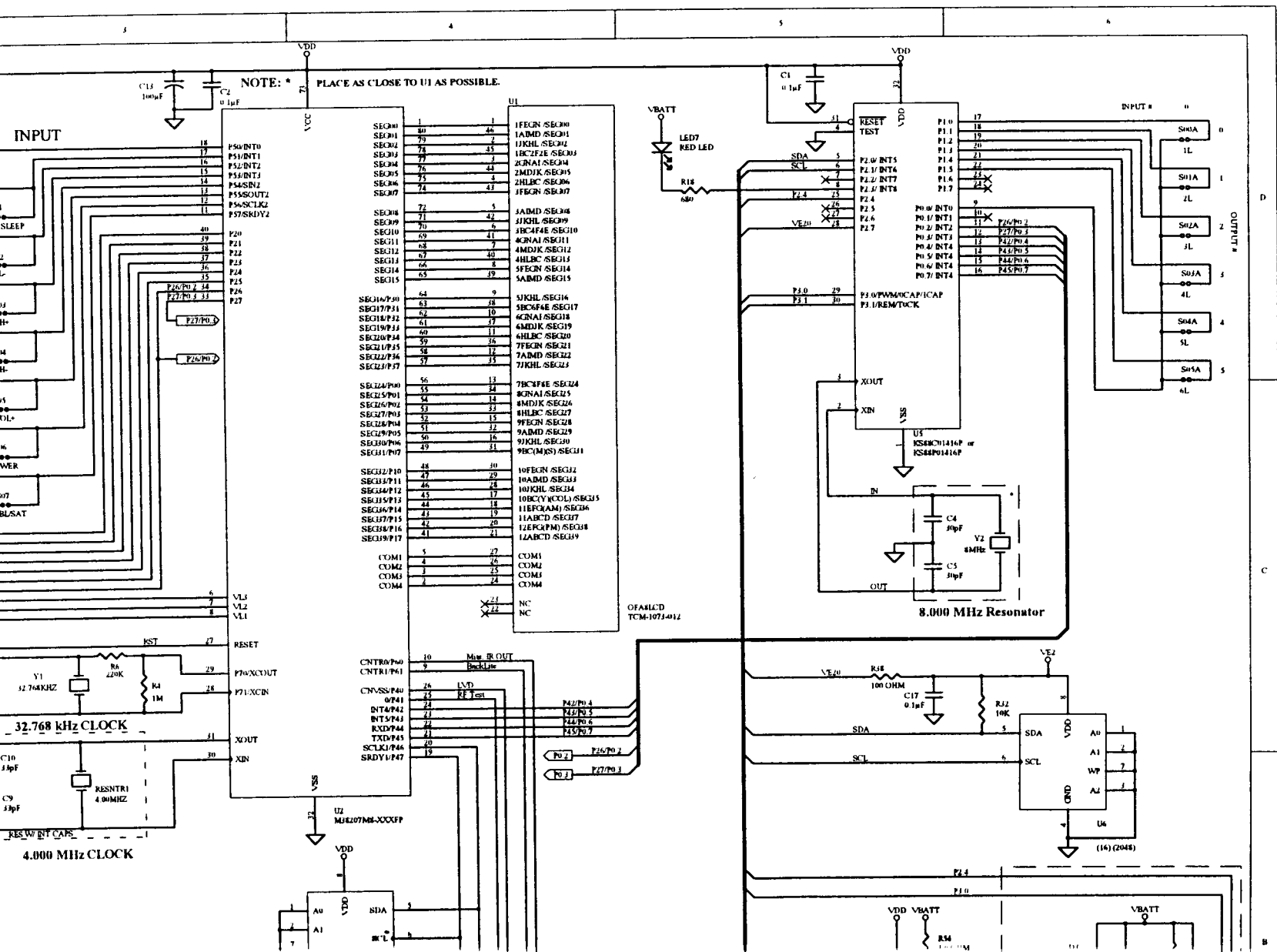
Universal Electronics Inc.
 10000 University Blvd.
 Suite 100
 Irvine, CA 92618
 Phone: 714/261-0000
 Fax: 714/261-0001

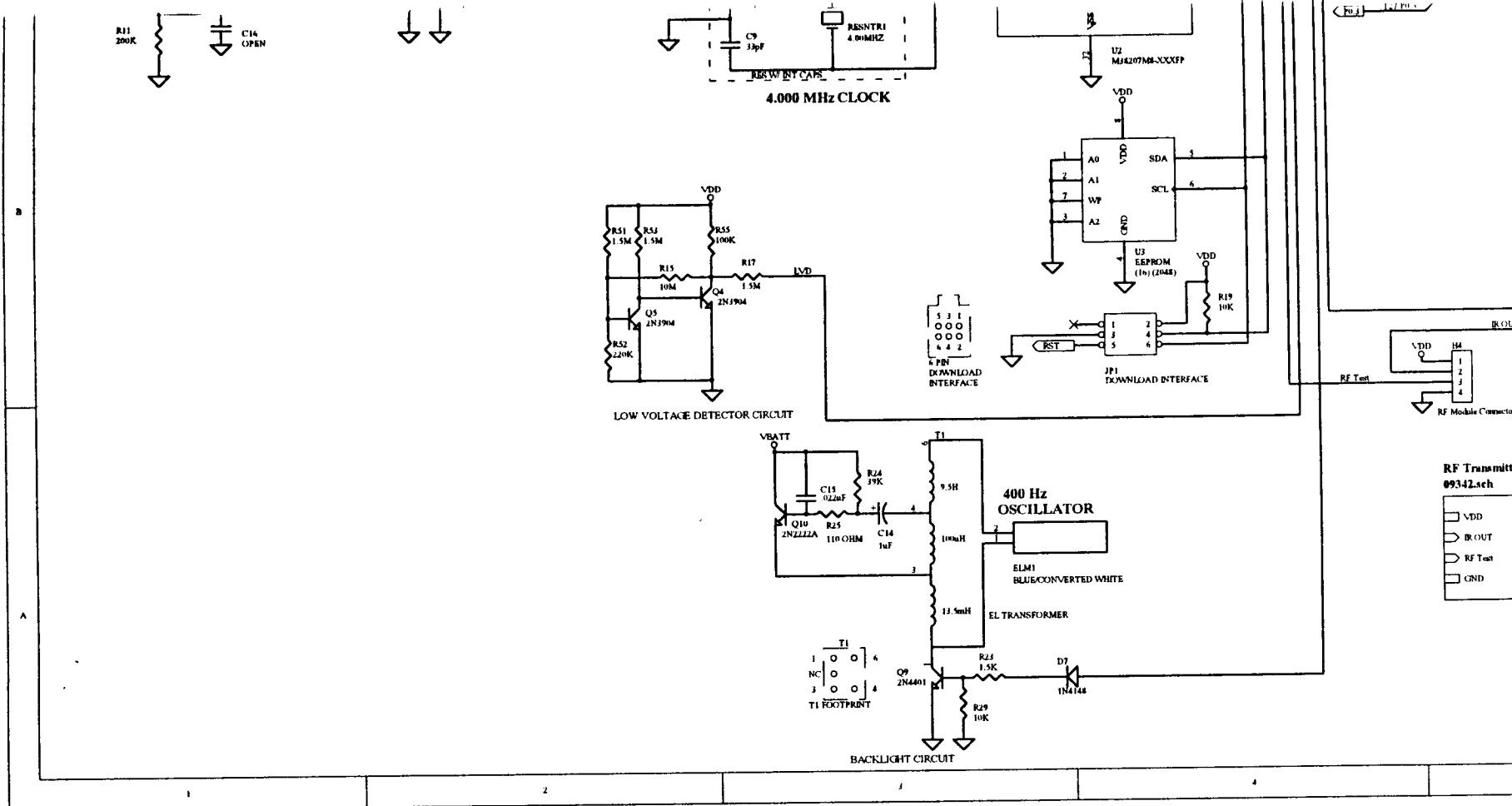
UNIVERSAL ELECTRONICS

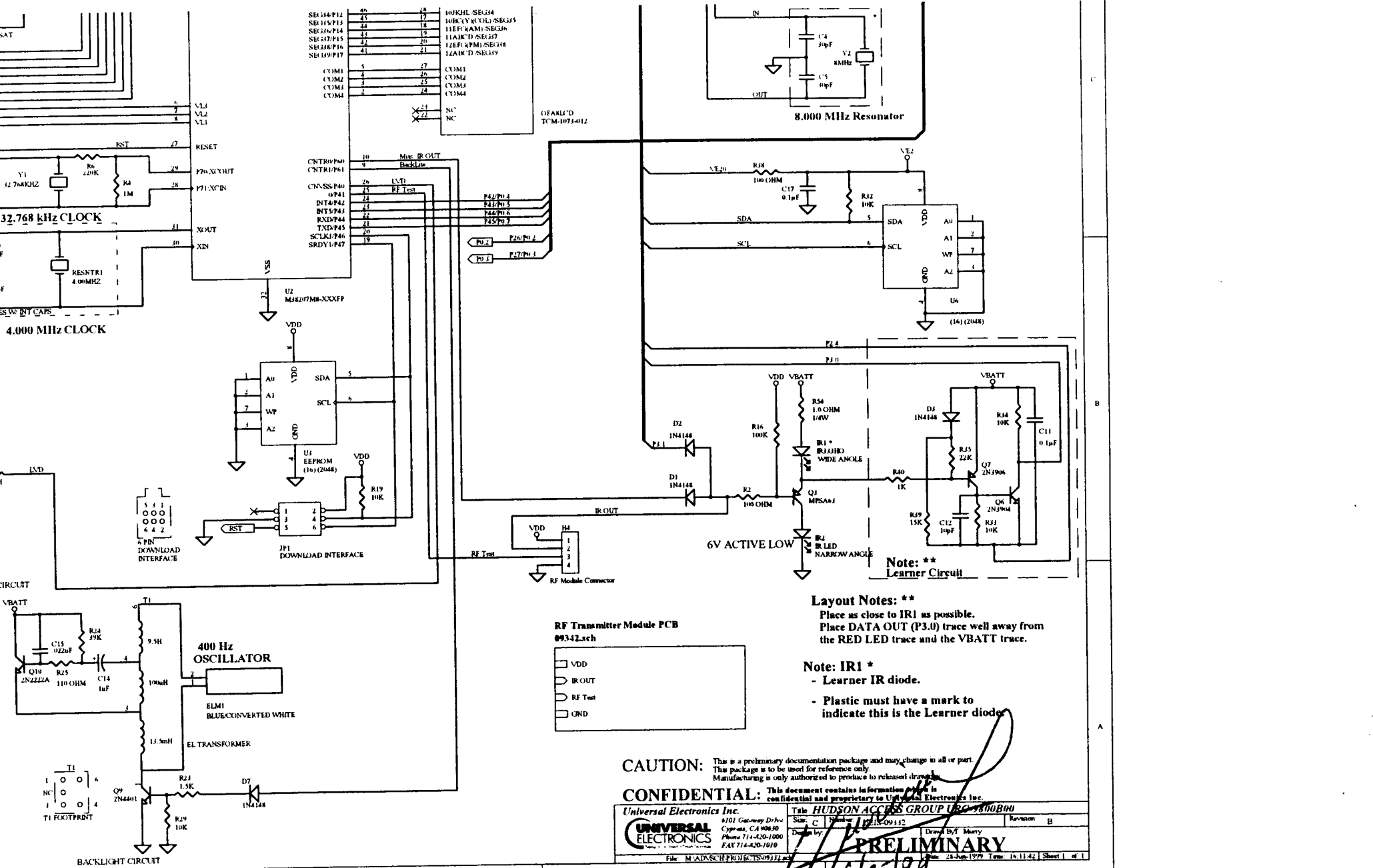
PRELIMINARY

Rev. 10/2000









SEU34/P12	25	17	00RHL SEU34
SEU35/P13	24	18	10R(V)SEU35
SEU36/P14	23	19	11E(R)AM)SEU36
SEU37/P15	22	20	11A(B)D)SEU37
SEU38/P16	21	21	12E(R)PM)SEU38
SEU39/P17	20	22	12A(B)D)SEU39
CU0M1	1	27	CU0M1
CU0M2	2	28	CU0M2
CU0M3	3	29	CU0M3
CU0M4	4	30	CU0M4
NC	24		NC
NC	22		NC

OFANL'D
TCM-1073412

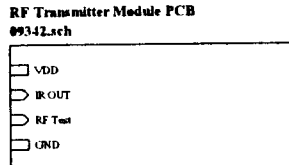
8.000 MHz Resonator

6V ACTIVE LOW

Note: **
Learner Circuit

Layout Notes: **
Place as close to IR1 as possible.
Place DATA OUT (P3.0) trace well away from
the RED LED trace and the VBATT trace.

Note: IR1 *
- Learner IR diode.
- Plastic must have a mark to
indicate this is the Learner diode.



CAUTION: This is a preliminary documentation package and may change in all or part.
This package is to be used for reference only.
Manufacturing is only authorized to produce to released drawings.

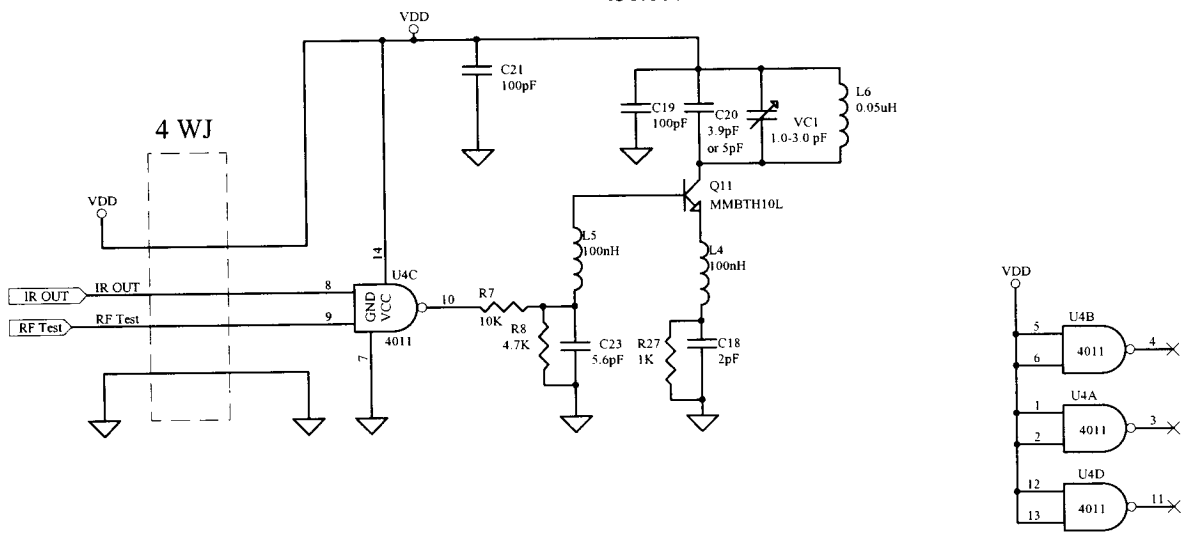
CONFIDENTIAL: This document contains information which is confidential and proprietary to Universal Electronics Inc.

Universal Electronics Inc. #101 Gateway Drive Cypress, CA 90630 Phone 714-420-1000 FAX 714-420-1010	Title HUDSON ACCESS GROUP URG-#808B00 Scale: C Date: 11/09/92 Drawn by: Mury Revision: B
---	--

Handwritten signature and date:
6/25/94



430.000 MHz OSCILLATOR



CONFIDENTIAL: This document contains information which is confidential and proprietary to Universal Electronics Inc.

Universal Electronics Inc.
 6191 Gateway Drive
 Cypress, CA 90630
 Phone 714-820-1000
 FAX 714-820-1010

Title	RF Transmitter Module		Revision	A
Size	A	Number	UEIS-09342	
Design by:	[Signature]		Drawn By:	
File	M:\ADV SCH\PROJECTS\09342.SCH		Date:	28-Jun-1999 Time: 16:10:34 Sheet 1 of 1