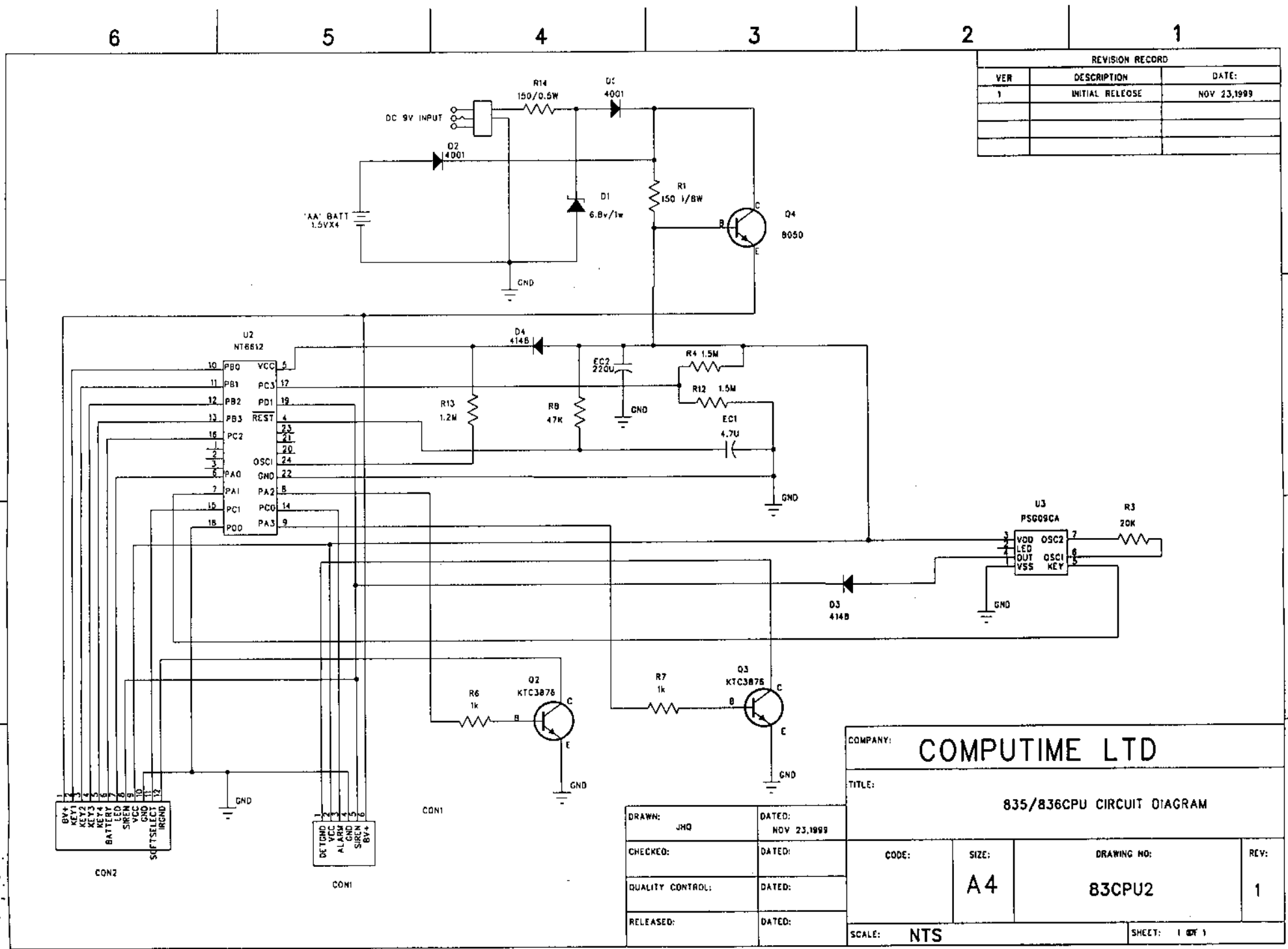


836

REVISION RECORD		
VER	DESCRIPTION	DATE
1	INITIAL RELEASE	NOV 23,1999



COMPANY: COMPUTIME LTD			
TITLE: 835/836CPU CIRCUIT DIAGRAM			
DRAWN: JHQ	DATED: NOV 23,1999	CODE:	SIZE: A4
CHECKED:	DATED:	DRAWING NO: 83CPU2	REV: 1
QUALITY CONTROL:	DATED:	SCALE: NTS	SHEET: 1 OF 1
RELEASED:	DATED:		

D

C

B

A

D

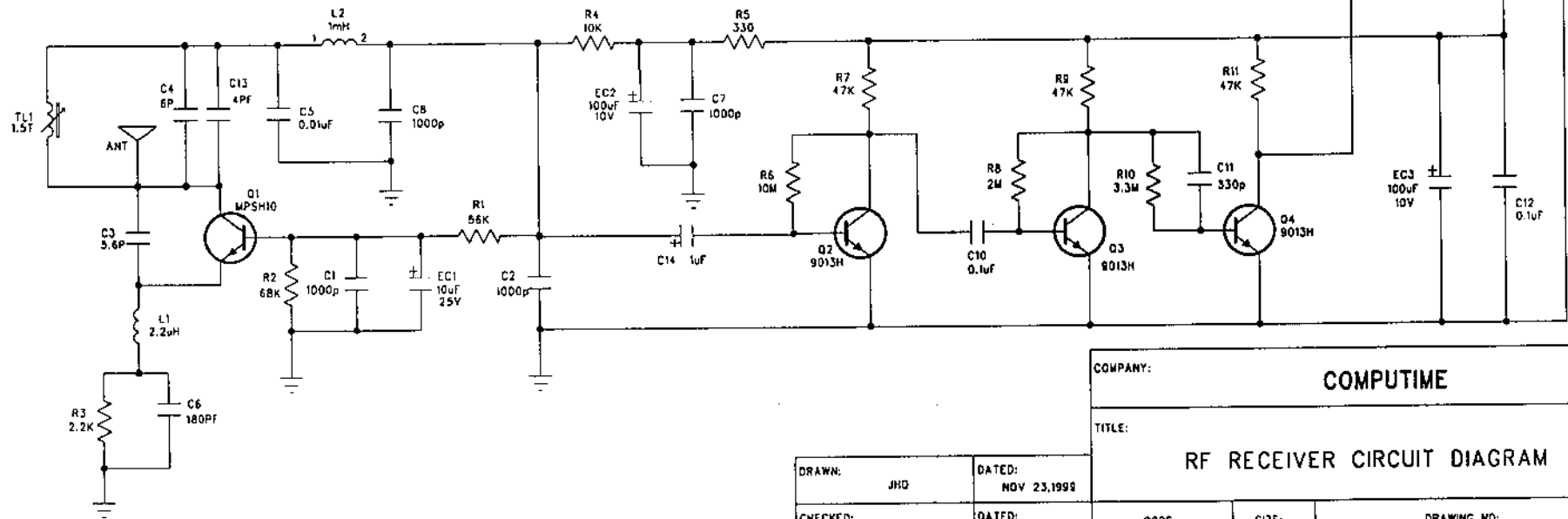
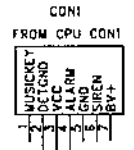
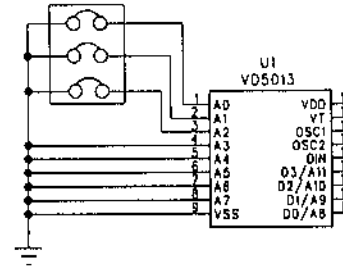
C

B

A

REVISION RECORD		
REV	DESCRIPTION	DATE
1	Initial release	NOV 23, 1999

TO KEY.SW1



315MHz

COMPANY:				COMPUTIME			
TITLE:							
RF RECEIVER CIRCUIT DIAGRAM							
DRAWN: JHD		DATED: NOV 23, 1999		CODE:		SIZE: A4	DRAWING NO: 83RFRX.SCH
CHECKED:		DATED:		REV: 1		SCALE: NTS	SHEET: 1 OF 1
APPROVED:		DATED:					

D

C

B

A

D

C

B

A