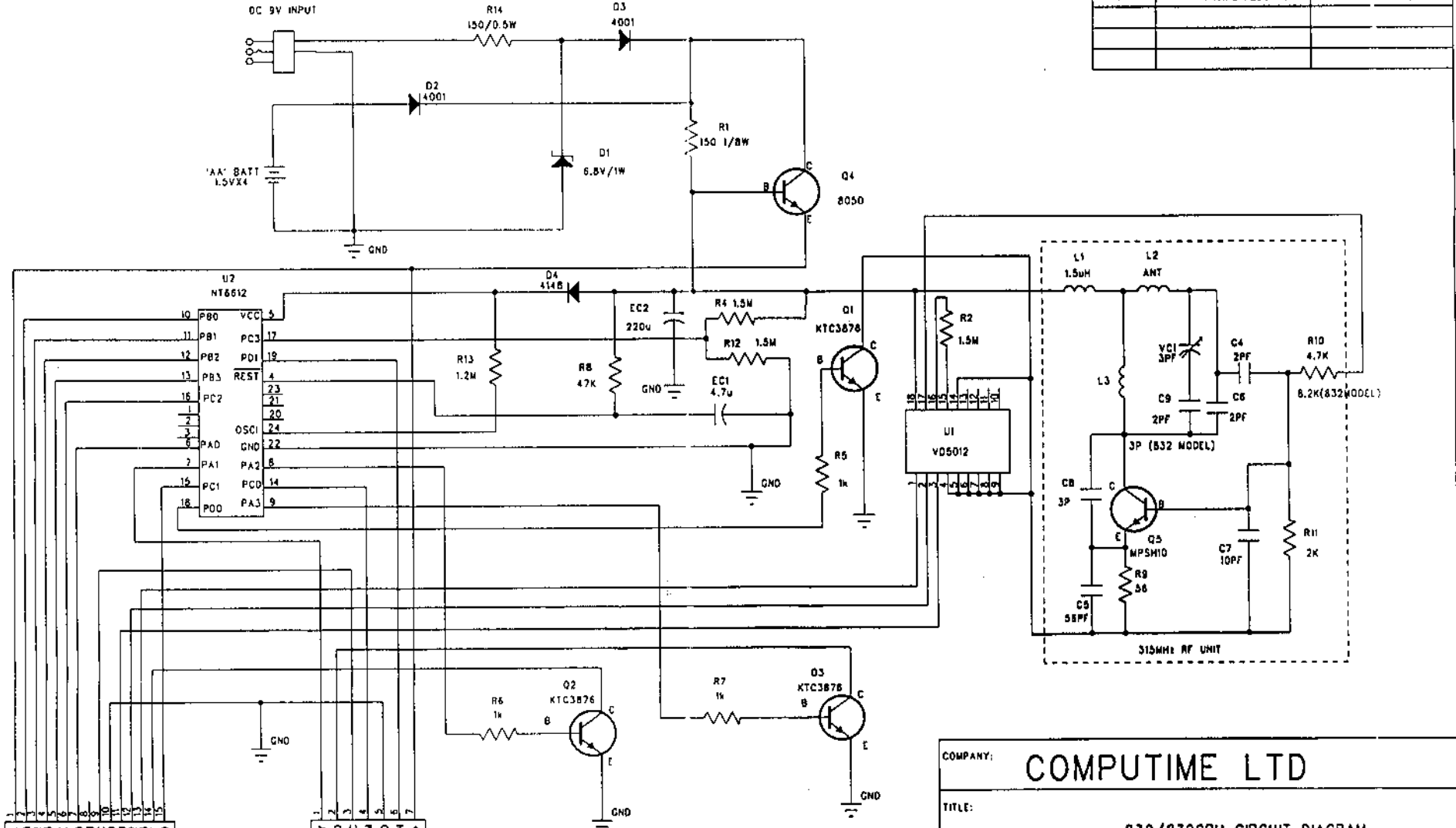


REVISION RECORD		
VER	DESCRIPTION	DATE
1	INITIAL RELEASE	JAN 08,98



COMPANY: COMPUTIME LTD			
TITLE: 830/832CPU CIRCUIT DIAGRAM			
CODE:	SIZE: A4	DRAWING NO: 83CPU1.SCH	REV: 1
SCALE: NTS		SHEET: 1 OF 1	

DRAWN: JHO	DATED: NOV. 03,99
CHECKED:	DATED:
QUALITY CONTROL:	DATED:
RELEASED:	DATED:

830

830

830

830

830

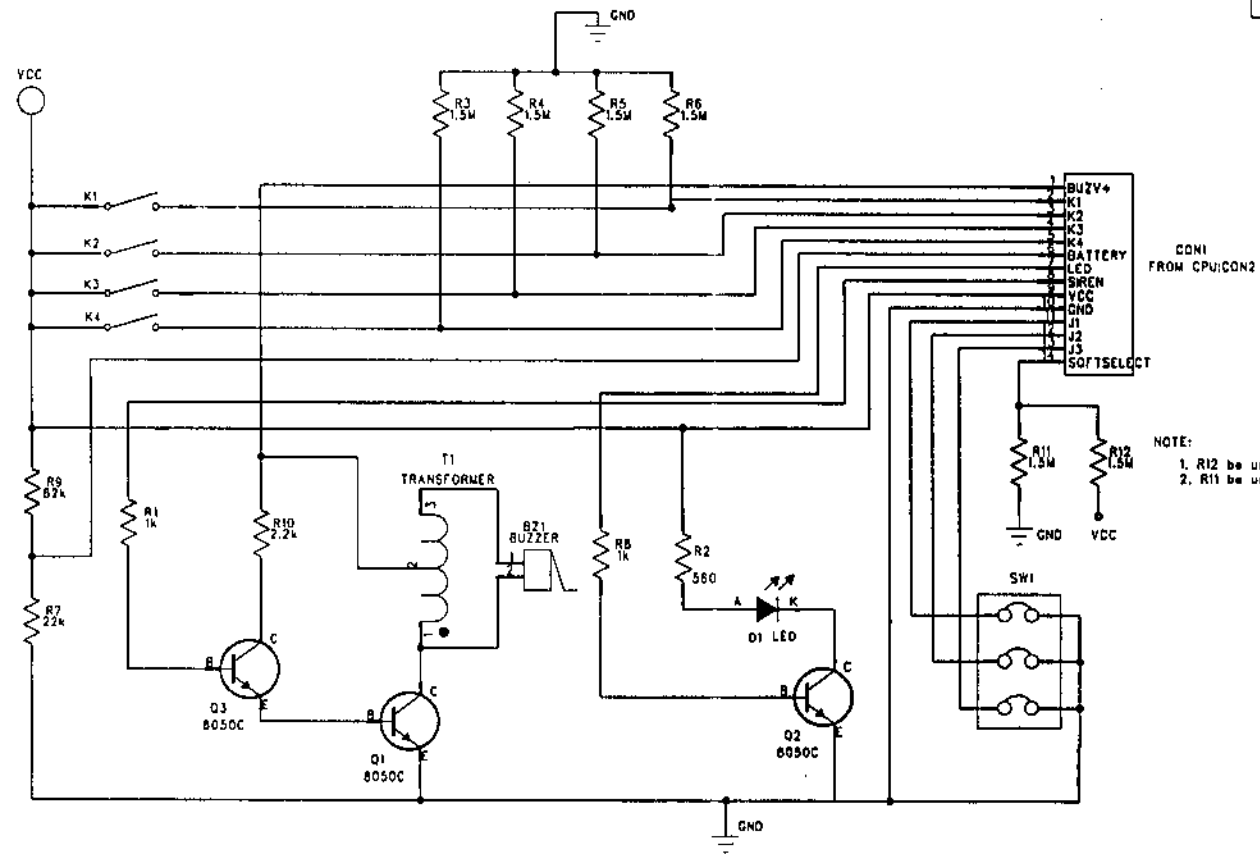
830

830

830

6 5 4 3 2 1

REVISION RECORD		
REV	DESCRIPTION	DATE
1	Initial release	NOV 23,1999



NOTE:
 1. R12 be used and r11 must be opened in model 836.
 2. R11 be used and r12 must be opened in model 830/835.

COMPANY:				COMPUTIME			
TITLE:							
KEYPAD CIRCUIT DIAGRAM							
DRAWN:		DATED:		CODE:		DRAWING NO:	
JHQ		NOV 23,1999		A3		KEYPAD-EQ01.SCH	
CHECKED:		DATED:		REV:		1	
QUALITY CONTROL:		DATED:		SCALE: NTS			
				SHEET: 1 OF 1			
RELEASED:		DATED:					

D

C

B

A

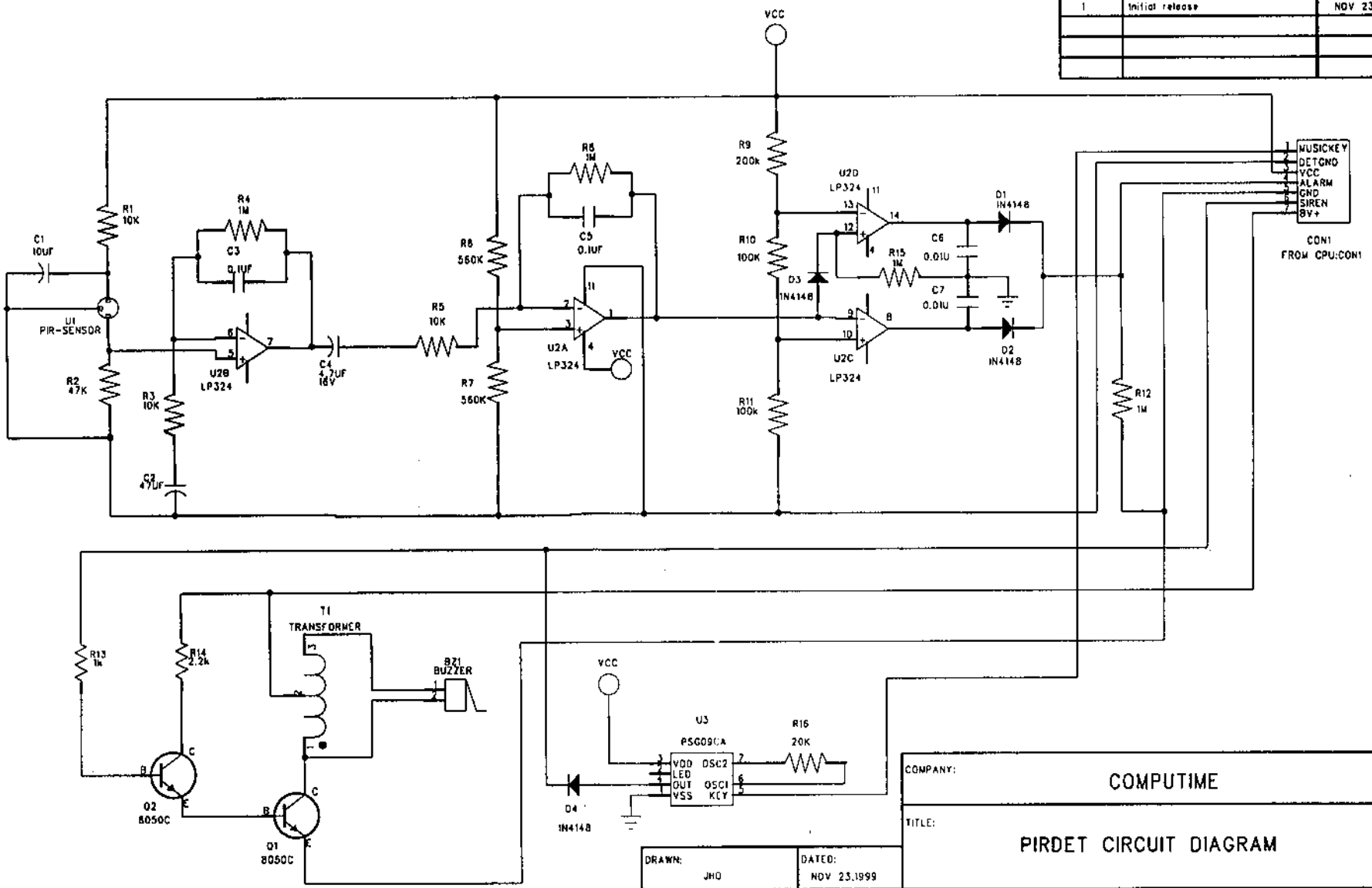
D

C

B

A

REVISION RECORD		
REV	DESCRIPTION	DATE
1	Initial release	NOV 23, 1999



COMPANY: COMPUTIME

TITLE: PIRDET CIRCUIT DIAGRAM

DRAWN:	JHO	DATED:	NOV 23, 1999
CHECKED:		DATED:	
APPROVED:		DATED:	

CODE:	SIZE:	DRAWING NO:	REV:
	A4	83PIRDET.SCH	1
SCALE: NTS			SHEET: 1 OF 1