

6

5

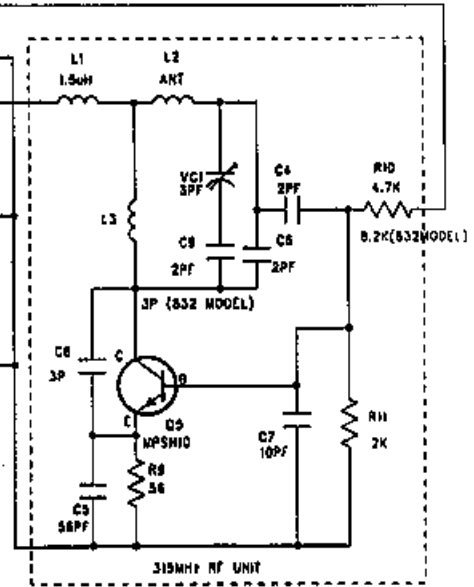
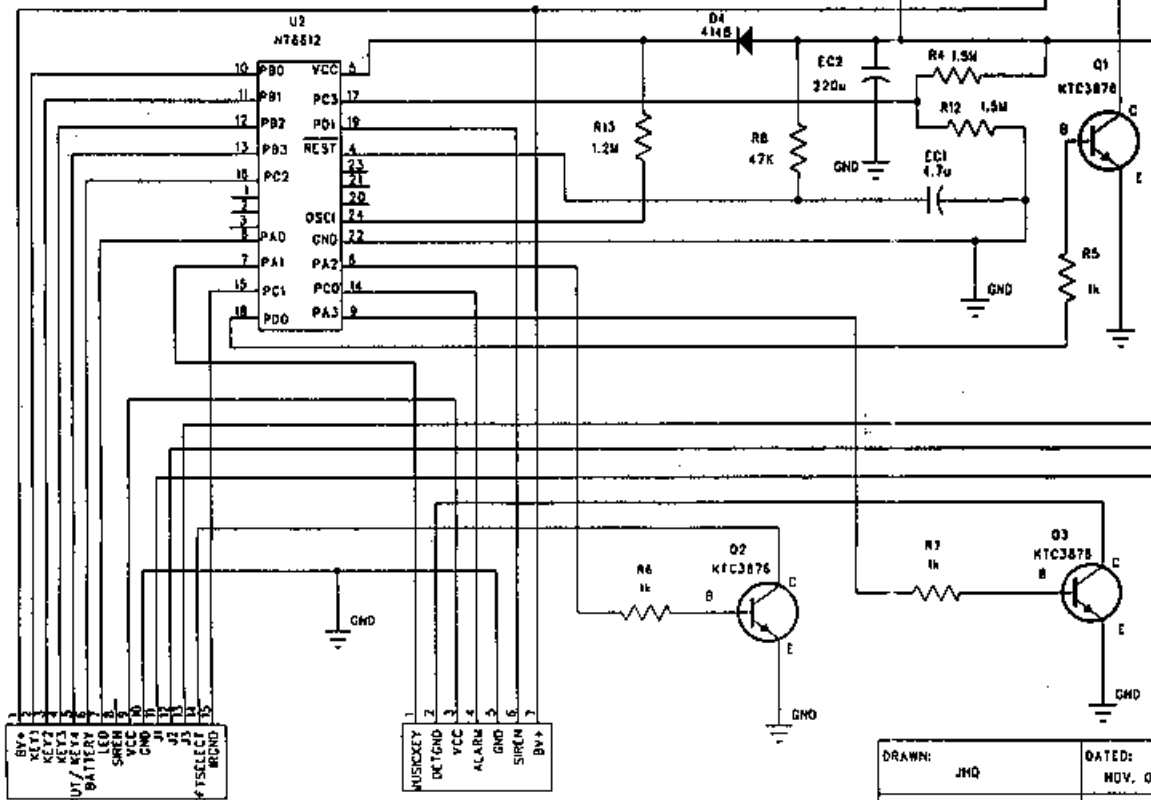
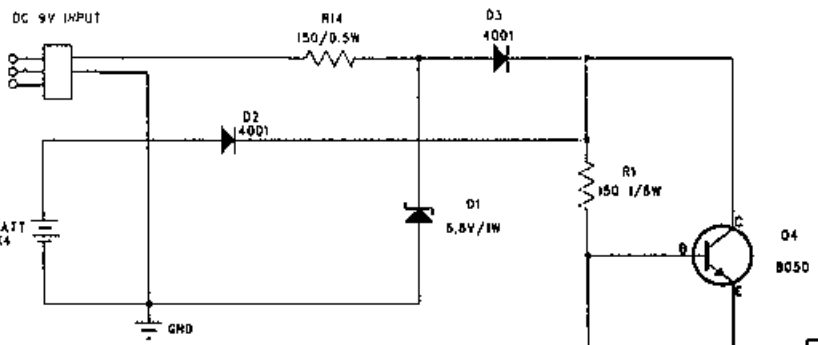
4

3

2

1

REVISION RECORD		
VER	DESCRIPTION	DATE
1	INITIAL RELEASE	JAN 08,98



COMPANY: **COMPUTIME LTD**

TITLE: **830/832CPU CIRCUIT DIAGRAM**

CODE:	SIZE: A4	DRAWING NO: 83CPU1.SCH	REV: 1
-------	-----------------	-------------------------------	---------------

SCALE: **NTS** SHEET: **1 OF 1**

DRAWN: JHQ	DATED: NOV. 03,99
CHECKED:	DATED:
QUALITY CONTROL:	DATED:
RELEASED:	DATED:

032

A

D

C

B

D

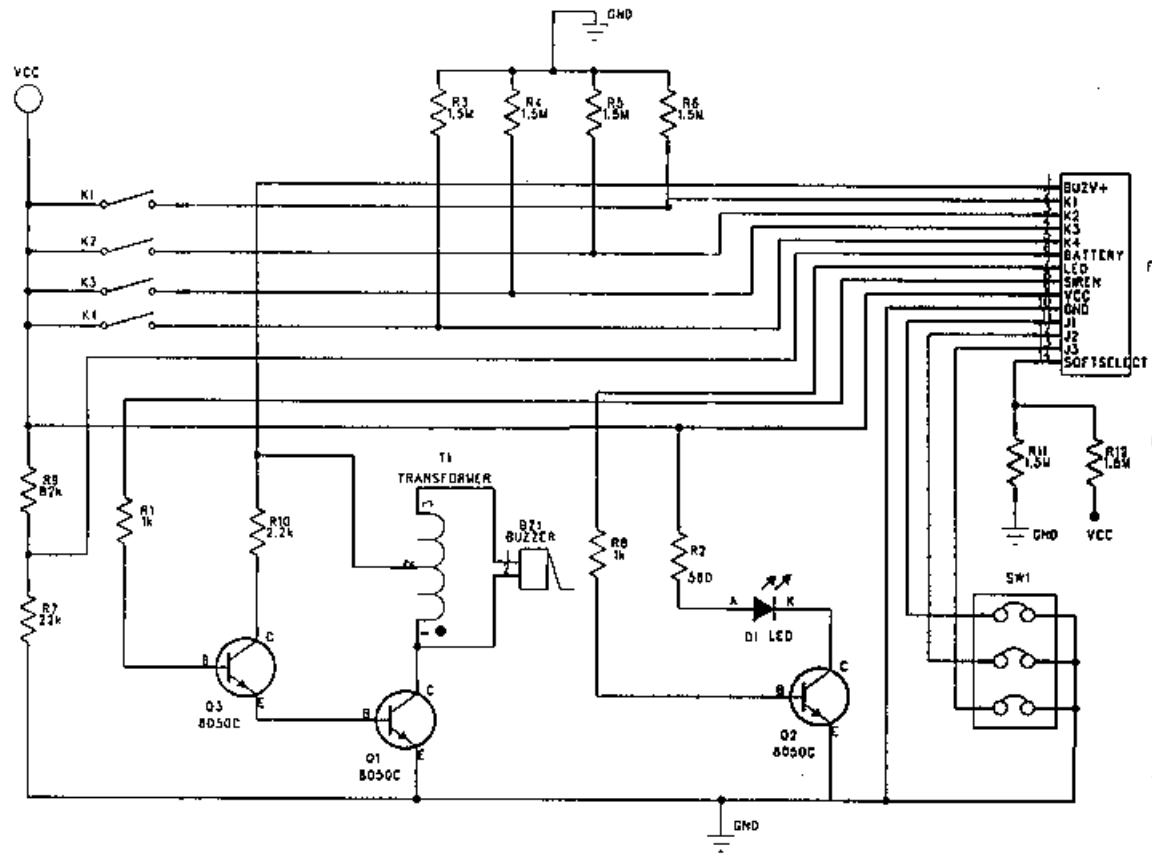
C

B

A

6 5 4 3 2 1

REVISION RECORD		
REV	DESCRIPTION	DATE
1	Initial release	NOV 23, 1999



CON1 FROM CPU:CON2

NOTE:
 1. R12 be used and r11 must be opened in model 836.
 2. R11 be used and r12 must be opened in model 830/835.

COMPANY:				COMPUTIME			
TITLE:							
KEYPAD CIRCUIT DIAGRAM							
DRAWN:		DATED:		CODE:		SIZE:	DRAWING NO:
JHO		NOV 23, 1999				A3	KEYPAD-E01.SCH
CHECKED:		DATED:					REV:
							1
QUALITY CONTROL:		DATED:					
RELEASED:		DATED:					
SCALE: NTS				SHEET: 1 OF 1			

D

C

B

A

D

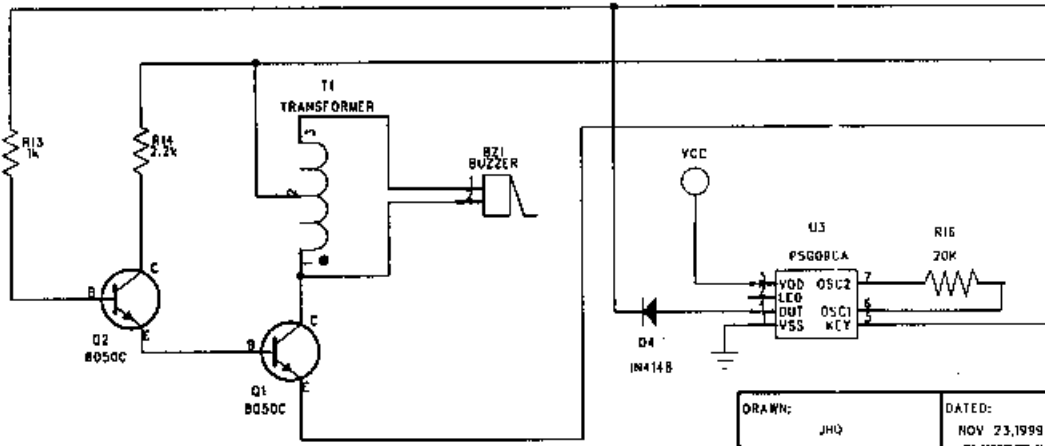
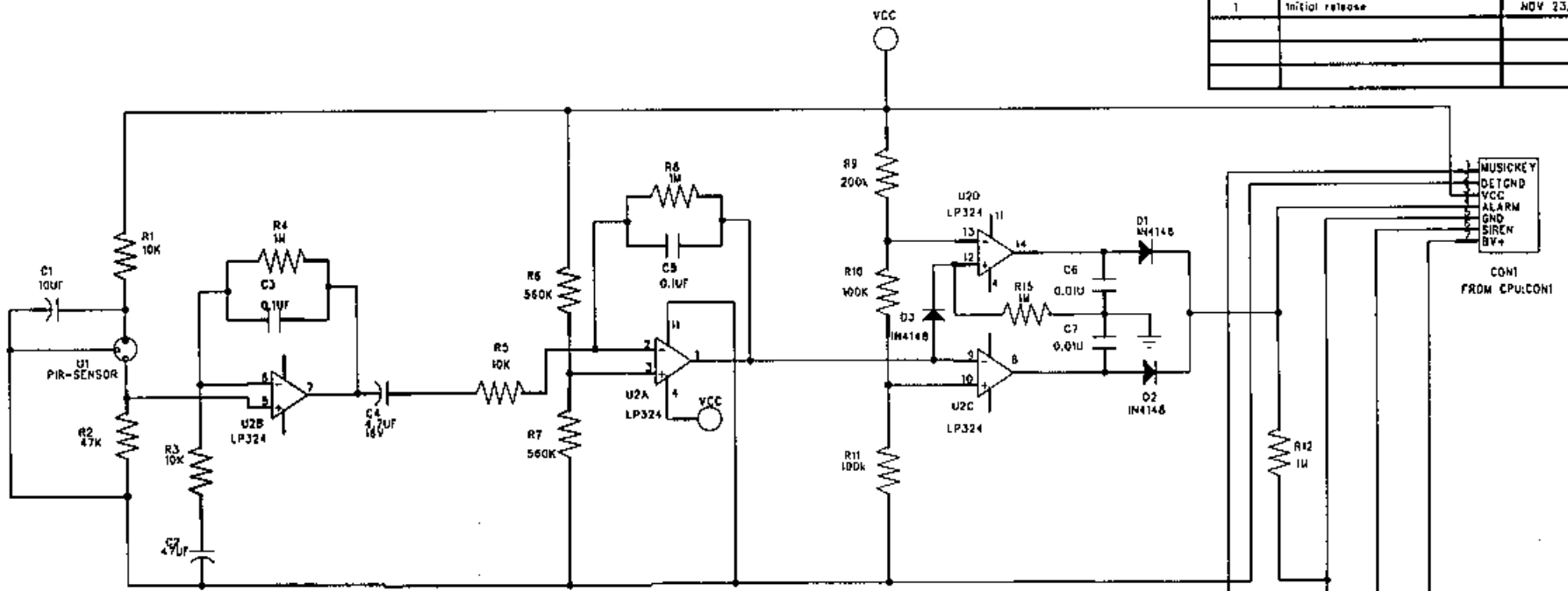
C

B

A

6 5 4 3 2 1

REVISION RECORD		
REV	DESCRIPTION	DATE
1	Initial release	NOV 23, 1999



COMPANY: COMPUTIME			
TITLE: PIRDET CIRCUIT DIAGRAM			
CODE:	SIZE: A4	DRAWING NO: 83PIRDET.SCH	REV: 1
SCALE: NTS			SHEET: 1 OF 1

DRAWN: JHQ	DATED: NOV 23, 1999
CHECKED:	DATE:
APPROVED:	DATE:

D
C
B
A

D
C
B
A