

DETAIL REFERENCES		
ITEM LTR	ITEM	REF NUMBER
A	UNIT LABEL	*154HA23824

NOTE: "*" INDICATES NUMBER ORIGINALLY RELEASED AS ART ONLY NOT IN BPCS. IF ART FILE NOT FOUND IN XXX JPEG FOLDER SEE BPCS DESCRIPTION FOR FILE LOCATION.

PACKAGING SPECIFICATIONS	
COMPLETE UNIT ONLY FOR BULK PACKAGING	BULK PACK PER THIS DRAWING. UNITS ARE TO BE FULLY ASSEMBLED, BAGGED AS A SINGLE PRODUCT AND PACKAGED SUFFICIENTLY TO PREVENT DAMAGE DURING SHIPPING

APPLICATION AGENCY SPECIFICATIONS		
AGENCY	SPEC NO.	CATAGORY NAME
FCC	CODE OF FEDERAL REGULATIONS, TITLE 47, PART 15, SUBPART C	INTENTIONAL RADIATORS
IC	RSS210	ELECTROMAGNETIC COMPATIBILITY

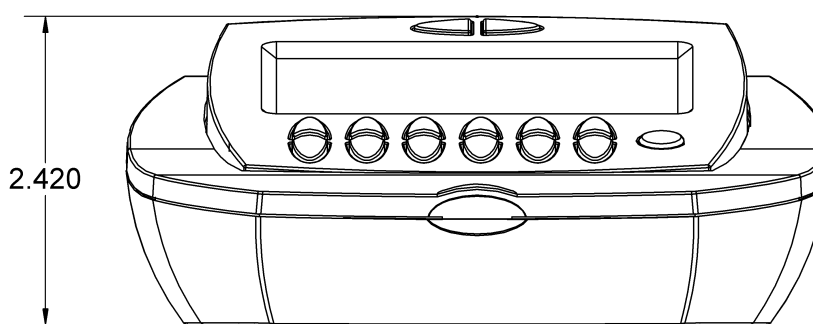
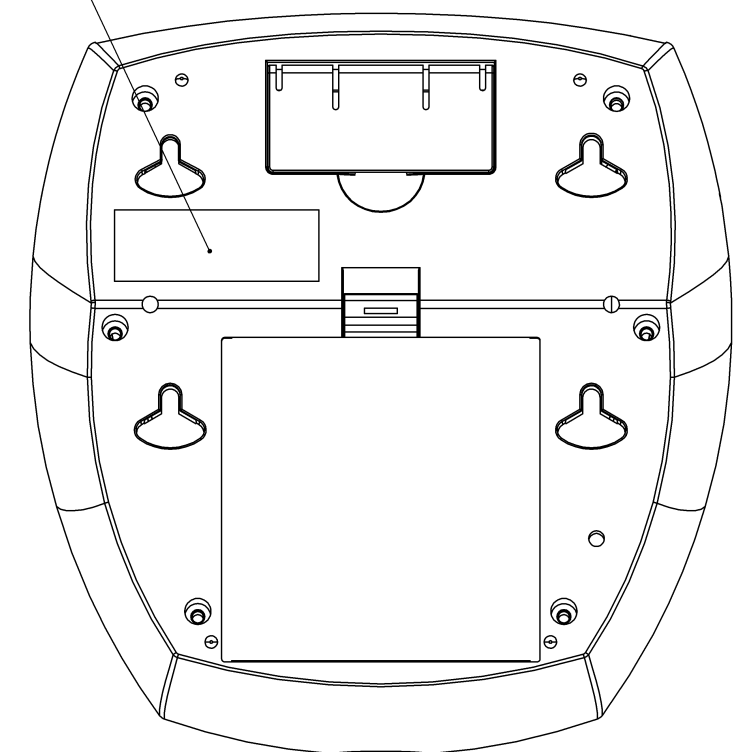
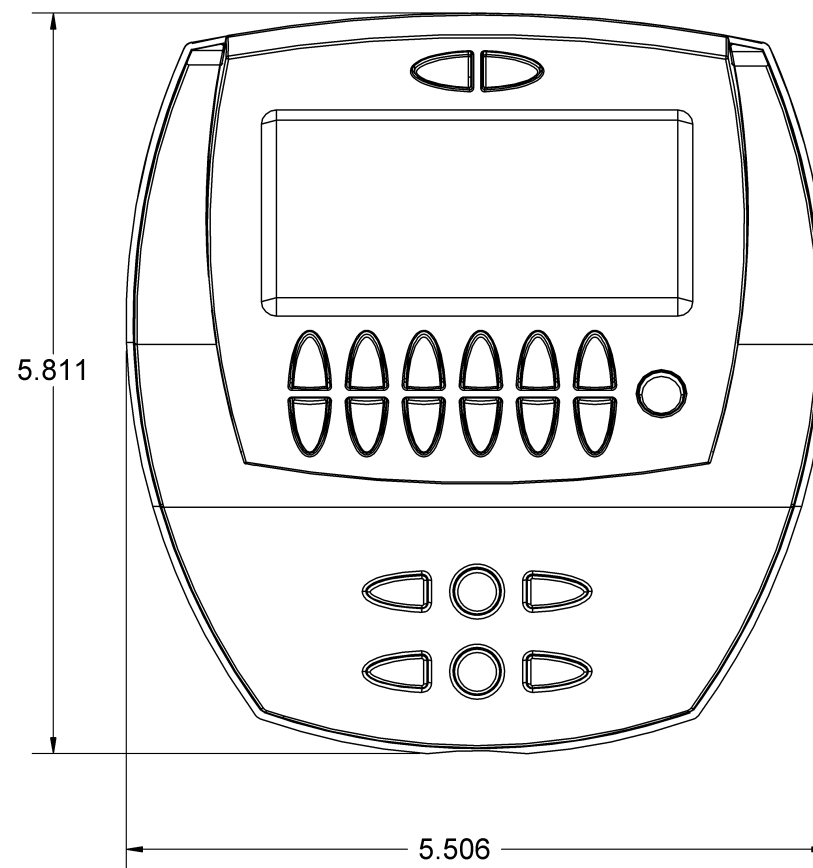
NOTES: (UNLESS OTHERWISE SPECIFIED)

1. ALL COMPONENTS AND FASTENERS MUST MEET ALL UL AND CSA STANDARD SPECIFICATIONS.
2. ALL DIMENSIONS ARE IN INCHES, FOR REFERENCE ONLY.
3. REFER TO 157HA2700REF AND 157HA2786REF FOR ALL REQUIREMENTS.
4. MOLDED PLASTIC PARTS ARE TO BE SP2126 WHITE. RUBBER INTERFACE BUTTONS ARE TO SPXXXX BLACK.
5. BATTERIES NOT INCLUDED.

*PRELIMINARY--
NOT FOR PRODUCTION!!*

UNIT LABEL
APPROX. LOCATION.

133HA1525REF



1		REL TO ELECT DATA	MODEL	APPROVED	INTERMATIC INCORPORATED
REV	REVISION DESCRIPTION	REVISED	DAE DATE	SUPERSEDES	NAME SWITCH-MASTER CONTROLLER, HA07
TOOL TOL: BOXED TOLERANCES ARE FOR LIFE-OF-TOOL DEVIATION ONLY DO NOT USE FOR RE-TOOLING		TOLERANCES:		DECIMALS (UNLESS OTHERWISE SPECIFIED) - TWO PLACE (.00) +/- .015 - THREE (.000) +/- .005 ANGLES +/- 30 MINUTES - ALL DIMENSIONS MUST BE MET BEFORE PLATING	

DRAWN	DEW	12/15/03
SCALE:	NONE	
MODEL	APPROVED	
DAE DATE	SUPERSEDES	

MATL	SEE B/M
FINISH	NONE
HEAT TREAT	NONE