

DETAIL REFERENCES		
ITEM LTR	ITEM	REF NUMBER
	Solid-State Lamp Controls	*154HA23823

NOTE: \* INDICATES NUMBER ORIGINALLY RELEASED AS ART ONLY NOT IN BPCS. IF ART FILE NOT FOUND IN XXX.JPG FOLDER SEE BPCS DESCRIPTION FOR FILE LOCATION.

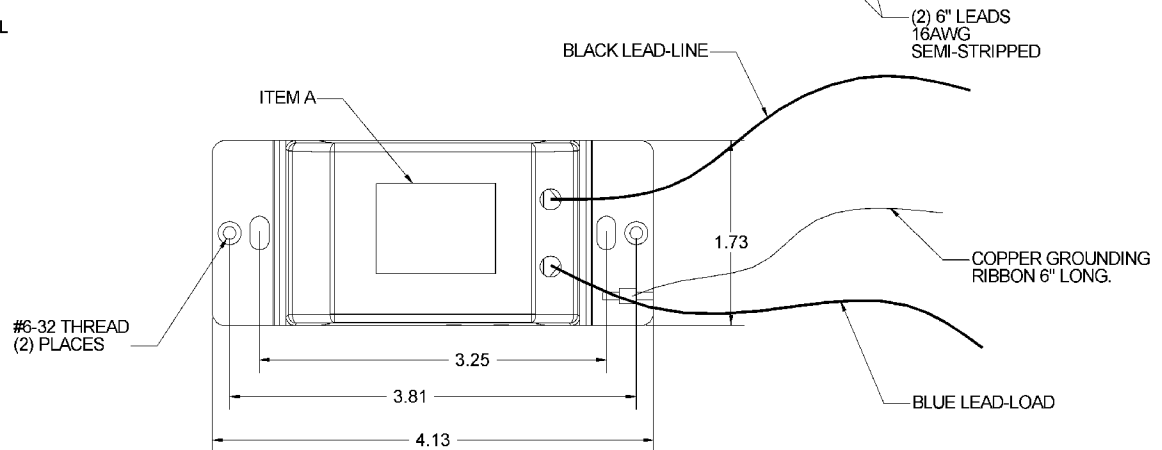
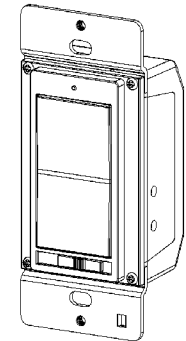
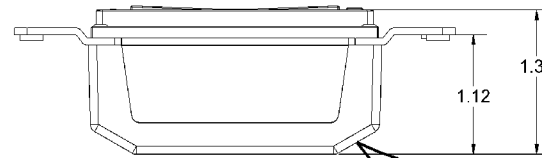
APPLICATION AGENCY SPECIFICATIONS		
AGENCY	SPEC NO.	CATAGORY NAME
FCC	CODE OF FEDERAL REGULATIONS, TITLE 47, PART 15, SUBPART C	INTENTIONAL RADIATORS
IC	RSS210	LOW POWER DEVICES
CSA	C22.2 No.205	SIGNAL EQUIPMENT
	No. 184.1	SOLID STATE DIMMING CONTROLS
UL	UL916	ENERGY MANAGEMENT EQUIPMENT
	UL1472	SOLID STATE DIMMING CONTROLS
NEMA	WD6	WIRING DEVICES DIMENSIONAL SPECIFICATIONS

NOTES: (UNLESS OTHERWISE SPECIFIED)

- ALL COMPONENTS AND FASTENERS MUST MEET ALL UL AND CSA STANDARD SPECIFICATIONS.
- ALL DIMENSIONS ARE IN INCHES, FOR REFERENCE ONLY.
- REFER TO 157HA2700REF AND 157HA2785REF FOR ALL REQUIREMENTS.
- MOLDED PLASTIC PARTS ARE TO BE SP2231 WHITE.
- PARTS TO COMPLETE INSTALLATION(WIRE NUTS, INSTALLATION SCREWS), SEALED IN A SEPARATE BAG, MUST BE INCLUDED WITH PRODUCT.

**PRELIMINARY--  
NOT FOR PRODUCTION!!**

**133HA1524REF**



		DRAWN DEW 12/15/03	<b>INTERMATIC INCORPORATED</b>	
		SCALE: NONE	NAME: SWITCH-WALL DIMMER, HA06	
		MODEL	MATERIAL: SEE B/M	
		DAE DATE	FINISH: NONE	
		SUPERSEDES	HEAT TREAT: NONE	
1	REL TO ELECT DATA	DEW DATE		
REV	REVISION DESCRIPTION	REVISED		
TOOL TOL: BOXED TOLERANCES ARE FOR LIFE-OF-TOOL DEVIATION ONLY DO NOT USE FOR RE-TOOLING		TOLERANCES: DECIMALS (UNLESS OTHERWISE SPECIFIED) - TWO PLACE (.00) +/- .015 - THREE (.000) +/- .005 ANGLES +/- 30 MINUTES - ALL DIMENSIONS MUST BE MET BEFORE PLATING		