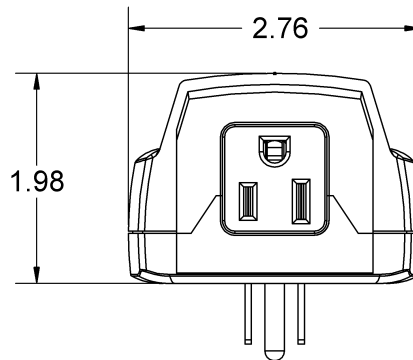
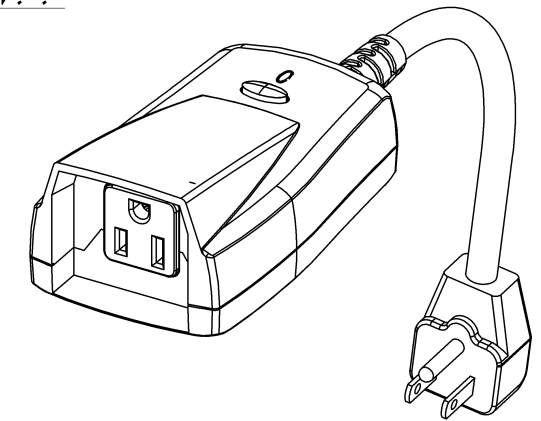


133HA1522REF

*PRELIMINARY--
NOT FOR PRODUCTION!!*



DETAIL REFERENCES		
ITEM LTR	ITEM	REF NUMBER
A	UNIT LABEL	*154HA23821

NOTE: "*" INDICATES NUMBER ORIGINALLY RELEASED AS ART ONLY NOT IN BPCS. IF ART FILE NOT FOUND IN XXX JPEG FOLDER SEE BPCS DESCRIPTION FOR FILE LOCATION.

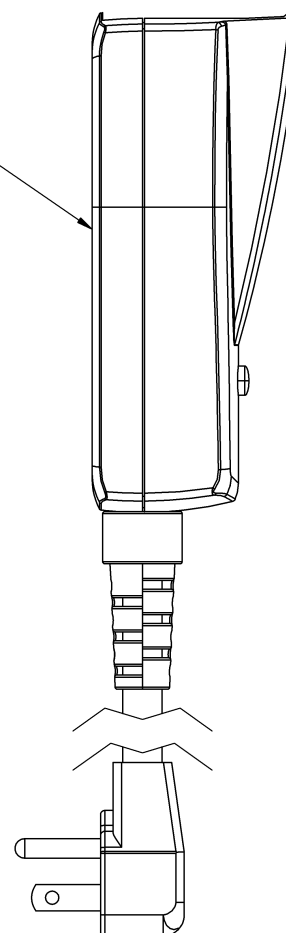
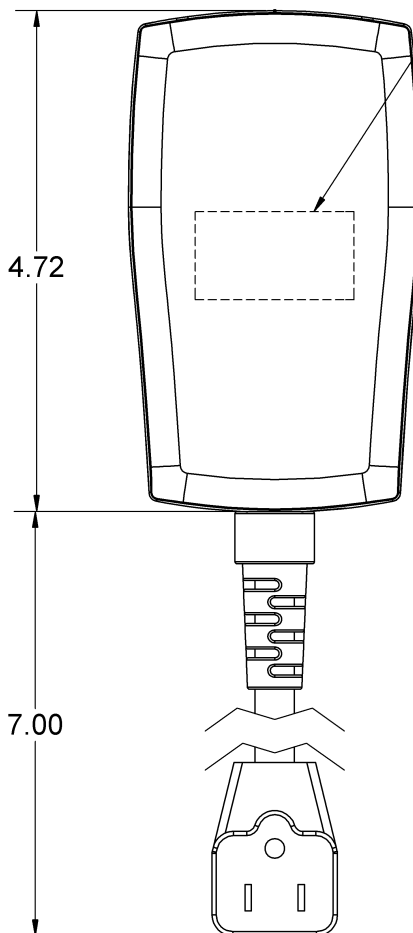
PACKAGING SPECIFICATIONS	
COMPLETE UNIT ONLY FOR BULK PACKAGING	BULK PACK PER THIS DRAWING. UNITS ARE TO BE FULLY ASSEMBLED, BAGGED AS A SINGLE PRODUCT AND PACKAGED SUFFICIENTLY TO PREVENT DAMAGE DURING SHIPPING

APPLICATION AGENCY SPECIFICATIONS		
AGENCY	SPEC NO.	CATAGORY NAME
FCC	CODE OF FEDERAL REGULATIONS, TITLE 47, PART 15, SUBPART C	INTENTIONAL RADIATORS
IC	RSS210	ELECTROMAGNETIC COMPATIBILITY
CSA	111 C22.2 No. 0.17-92 C22.2 No.42-99	CEC PART 2 - GENERAL REQUIREMENTS: WIRING PRODUCTS
UL	UL498	ATTACHMENT PLUGS AND RECEPTACLES
	UL746C	POLYMERIC MATERIALS ELECTRICAL EQUIPMENT EVALUATION
NEMA	WD6	WIRING DEVICES DIMENSIONAL SPECIFICATIONS

NOTES: (UNLESS OTHERWISE SPECIFIED)

1. ALL COMPONENTS AND FASTENERS MUST MEET ALL UL AND CSA STANDARD SPECIFICATIONS.
2. ALL DIMENSIONS ARE IN INCHES, FOR REFERENCE ONLY.
3. REFER TO 157HA2700REF AND 157HA2783REF FOR ALL REQUIREMENTS.
4. MOLDED PLASTIC PARTS ARE TO BE SP

ITEM A CENTERED ON BOTTOM SURFACE.



1		REL TO ELECT DATA	DEW DATE	DAE DATE	INTERMATIC INCORPORATED
REV	REVISION DESCRIPTION	REVISED	MODEL	APPROVED	NAME SWITCH-OUTDOOR, HA04
TOOL TOL: BOXED TOLERANCES ARE FOR LIFE-OF-TOOL DEVIATION ONLY DO NOT USE FOR RE-TOOLING		TOLERANCES: DECIMALS (UNLESS OTHERWISE SPECIFIED) - TWO PLACE (.00) +/- .015 - THREE (.000) +/- .005 ANGLES +/- 30 MINUTES - ALL DIMENSIONS MUST BE MET BEFORE PLATING		MATERIAL SEE B/M	
				FINISH NONE	
				HEAT TREAT NONE	