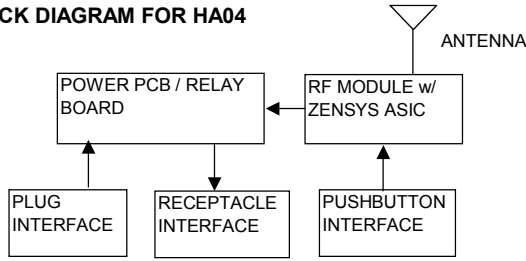
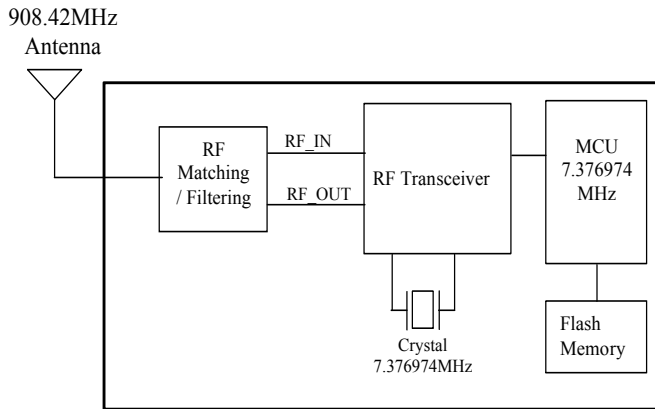


# BLOCK DIAGRAMS FOR HA04

## BLOCK DIAGRAM FOR HA04



## RF Module Block Diagram



## RF Transceiver Block Diagram

