

DETAIL REFERENCES

ITEM LTR	ITEM	REF NUMBER
A	UNIT LABEL	*154HA23820

NOTE: "*" INDICATES NUMBER ORIGINALLY RELEASED AS ART ONLY NOT IN BPCS. IF ART FILE NOT FOUND IN XXX JPEG FOLDER SEE BPCS DESCRIPTION FOR FILE LOCATION.

PACKAGING SPECIFICATIONS

COMPLETE UNIT ONLY FOR BULK PACKAGING	BULK PACK PER THIS DRAWING. UNITS ARE TO BE FULLY ASSEMBLED, BAGGED AS A SINGLE PRODUCT AND PACKAGED SUFFICIENTLY TO PREVENT DAMAGE DURING SHIPPING
---------------------------------------	---

APPLICATION AGENCY SPECIFICATIONS

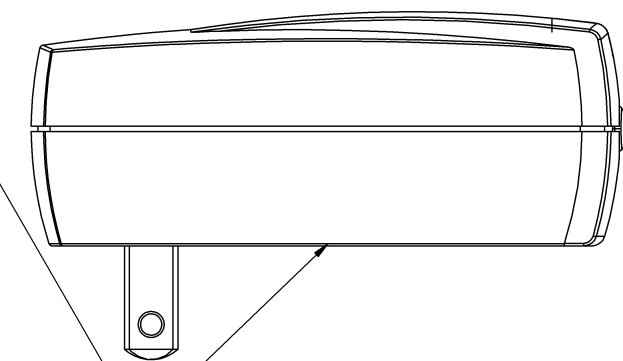
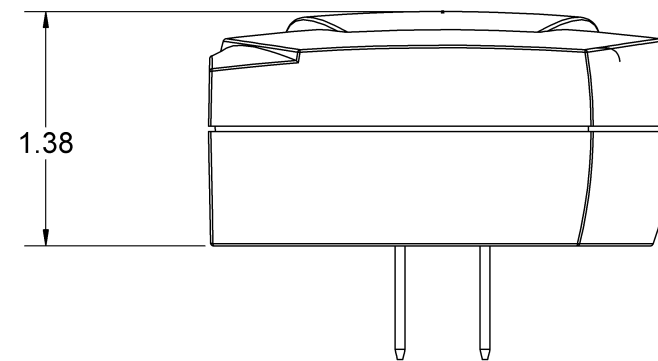
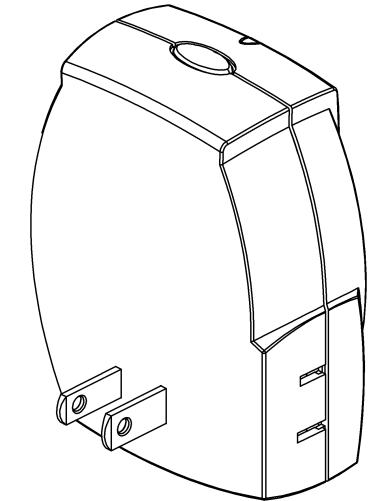
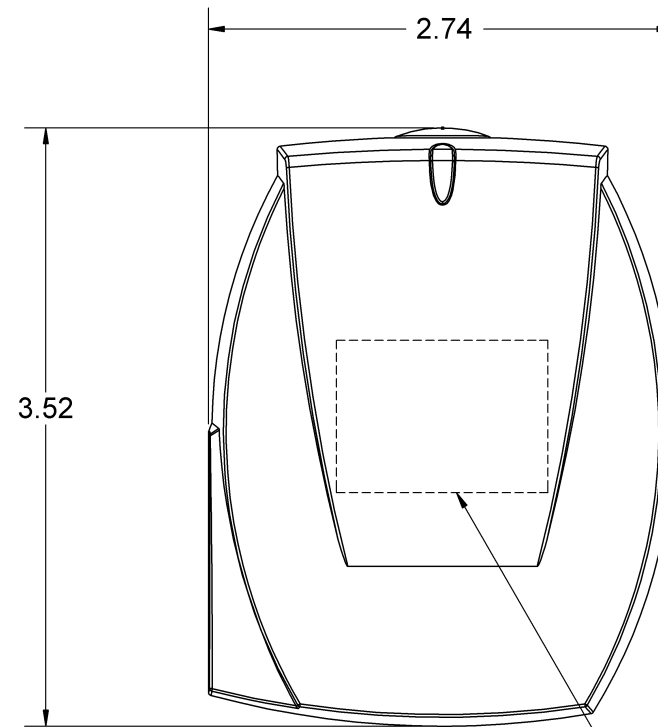
AGENCY	SPEC NO.	CATAGORY NAME
FCC	CODE OF FEDERAL REGULATIONS, TITLE 47, PART 15, SUBPART C	INTENTIONAL RADIATORS
IC	RSS210	ELECTROMAGNETIC COMPATIBILITY
CSA	111 C22.2 No. 0.17-92 C22.2 No.42-99	CEC PART 2 - GENERAL REQUIREMENTS: WIRING PRODUCTS
UL	UL498	ATTACHMENT PLUGS AND RECEPTACLES
	UL746C	POLYMERIC MATERIALS ELECTRICAL EQUIPMENT EVALUATION
NEMA	WD6	WIRING DEVICES DIMENSIONAL SPECIFICATIONS

NOTES: (UNLESS OTHERWISE SPECIFIED)

1. ALL COMPONENTS AND FASTENERS MUST MEET ALL UL AND CSA STANDARD SPECIFICATIONS.
2. ALL DIMENSIONS ARE IN INCHES, FOR REFERENCE ONLY.
3. REFER TO 157HA2700REF AND 157HA2782REF FOR ALL REQUIREMENTS.
4. MOLDED PLASTIC PARTS ARE TO BE SP

133HA1521REF

*PRELIMINARY --
NOT FOR PRODUCTION!!*



ITEM A CENTERED ON BOTTOM SURFACE.

1	REL TO ELECT DATA
REV	REVISION DESCRIPTION
	REVISED

DRAWN	DEW	DAE
12/15/03	DATE	DATE
SCALE: NONE	APPROVED	SUPERSEDES
MODEL		

INTERMATIC INCORPORATED	
NAME	SWITCH-DIMMER, HA03
MATL	SEE B/M
FINISH	NONE
HEAT TREAT	NONE

TOOL TOL: BOXED TOLERANCES ARE FOR LIFE-OF-TOOL DEVIATION ONLY DO NOT USE FOR RE-TOOLING **TOLERANCES:** DECIMALS (UNLESS OTHERWISE SPECIFIED) - TWO PLACE (.00) +/- .015 - THREE (.000) +/- .005 ANGLES +/- 30 MINUTES - ALL DIMENSIONS MUST BE MET BEFORE PLATING