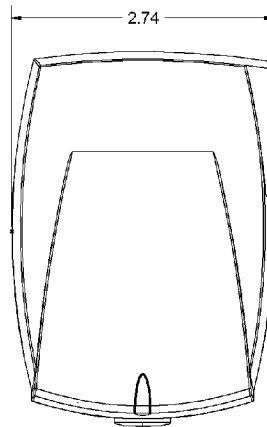


DETAIL REFERENCES		
ITEM LTR	ITEM	REF NUMBER
A	UNIT LABEL	*154HA23819

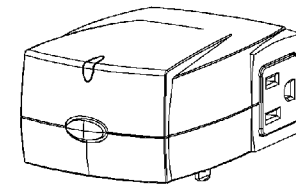
NOTE: *INDICATES NUMBER ORIGINALLY RELEASED AS PART ONLY NOT IN BPCS. IF APT FILE NOT FOUND IN XXX\FREG FOLDER USE EPCS DESCRIPTION FOR FILE LOCATION.

APPLICATION AGENCY SPECIFICATIONS		
AGENCY	SPEC NO.	CATAGORY NAME
FCC	CODE OF FEDERAL REGULATIONS, TITLE 47, PART 15, SUBPART C	INTENTIONAL RADIATORS
IC	RSS210	LOW POWER DEVICES
CSA	No. 205	SIGNAL EQUIPMENT
	No. 42-99	GENERAL USE RECEPTACLES, ETC.
UL	UL498A	CURRENT TAP AND ADAPTERS
	UL916	ENERGY MANAGEMENT EQUIPMENT



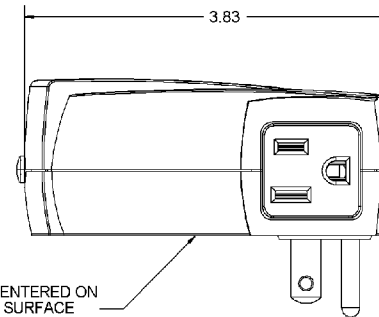
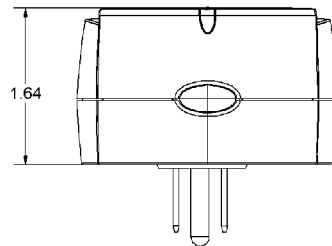
133HA1520REF

DO NOT REVISE RASTER FILE
REVISE SOLID MODEL



NOTES: (UNLESS OTHERWISE SPECIFIED)

1. ALL COMPONENTS AND FASTENERS MUST MEET ALL UL AND CSA STANDARD SPECIFICATIONS.
2. ALL DIMENSIONS ARE IN INCHES, FOR REFERENCE ONLY.
3. REFER TO 157HA2700REF AND 157HA2781REF FOR ALL REQUIREMENTS.
4. MOLDED PLASTIC PARTS ARE TO BE SP2230 WHITE.



ITEM A CENTERED ON
BOTTOM SURFACE

		DRWN: DEW 12/28/03	INTERMATIC INCORPORATED	
		SCALE: NONE	DATE: APPROVED	DATE: SWITCH-APPLIANCE MODULE, HA02
		REVISED	DATE: NONE	DATE: SEE B/M
1	REL TO ELECT DATA	DEW DATE	DATE: NONE	DATE: NONE
REV	REVISION DESCRIPTION	REVISED	SUPERSEDES	#PART #PART
TOOL TOL: BOXED TOLERANCES ARE FOR LIFE-OF-TOOL DEVIATION ONLY DO NOT USE FOR RE-TOOLING		TOLERANCES: DIMS (UNLESS OTHERWISE SPECIFIED) TWO PLACES (1.00" ± .010) THREE (1.000) ± .005 ANGLES (UNLESS OTHERWISE SPECIFIED) ALL DIMENSIONS MUST BE MET BEFORE PLATING		