

Label locations

One of these labels

| | |
|--|--|
| <p>7499B Interconnect Box 78-8129-2953-3 (200mW)</p> <p>100 - 240V~ 50/60 Hz 1 A</p> <p>FCC ID: DGFTTS810 IC: 458A-TTS810</p> <p>3M Library Systems St. Paul, Minnesota 55144 Made in USA 3M</p> | <p>7499B Interconnect Box 78-8129-2954-1 (400mW)</p> <p>100 - 240V~ 1 A 50/60 Hz</p> <p>FCC ID: DGFTTS810 IC: 458A-TTS810</p> <p>3M Library Systems St. Paul, Minnesota 55144 Made in USA 3M</p> |
| <p>7499B Interconnect Box 78-8129-2955-8 (1W)</p> <p>100 - 240V~ 50/60 Hz 1 A</p> <p>FCC ID: DGFTTS810 IC: 458A-TTS810</p> <p>3M Library Systems St. Paul, Minnesota 55144 Made in USA 3M</p> | <p>7499F Interconnect Box 78-8129-2956-6 (1W)</p> <p>100 - 240V~ 1 A 50/60 Hz</p> <p>FCC ID: DGFTTS810 IC: 458A-TTS810</p> <p>3M Library Systems St. Paul, Minnesota 55144 Made in USA 3M</p> |

This device complies with part 15 of the FCC Rules. Operation is subject to the following two conditions:
(1) This device may not cause harmful interference, and
(2) This device must accept any interference received, including interference that may cause undesired operation.

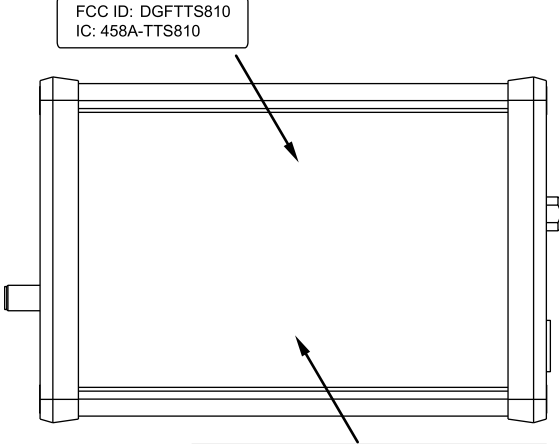
This Class A digital apparatus complies with Canadian ICES-003.
Cet appareil numérique de la classe A est conforme à la norme NMB-003 du Canada.

Model 810
12V --- 300mA

S/N: 810XXXXX

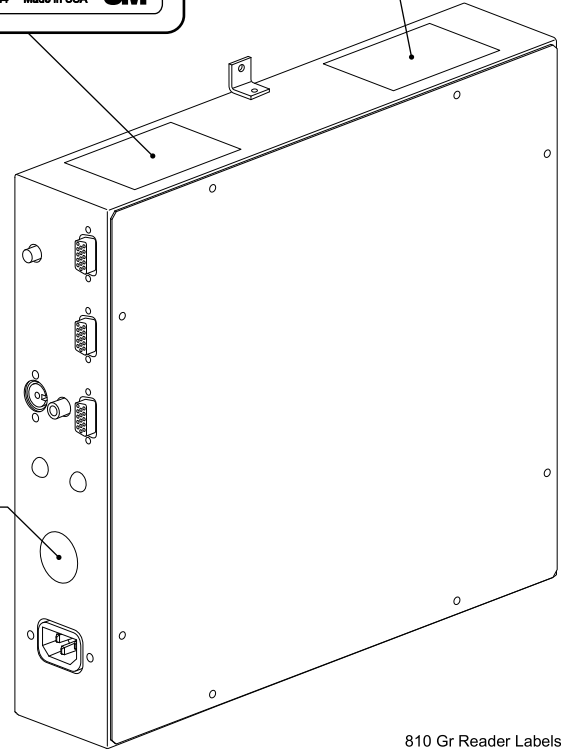
3M Track and Trace Solutions
St. Paul, Minnesota 55144

FCC ID: DGFTTS810
IC: 458A-TTS810



This device complies with part 15 of the FCC Rules. Operation is subject to the following two conditions:
(1) This device may not cause harmful interference, and
(2) This device must accept any interference received, including interference that may cause undesired operation.

This Class A digital apparatus complies with Canadian ICES-003.
Cet appareil numérique de la classe A est conforme à la norme NMB-003 du Canada.



810 Gr Reader Labels