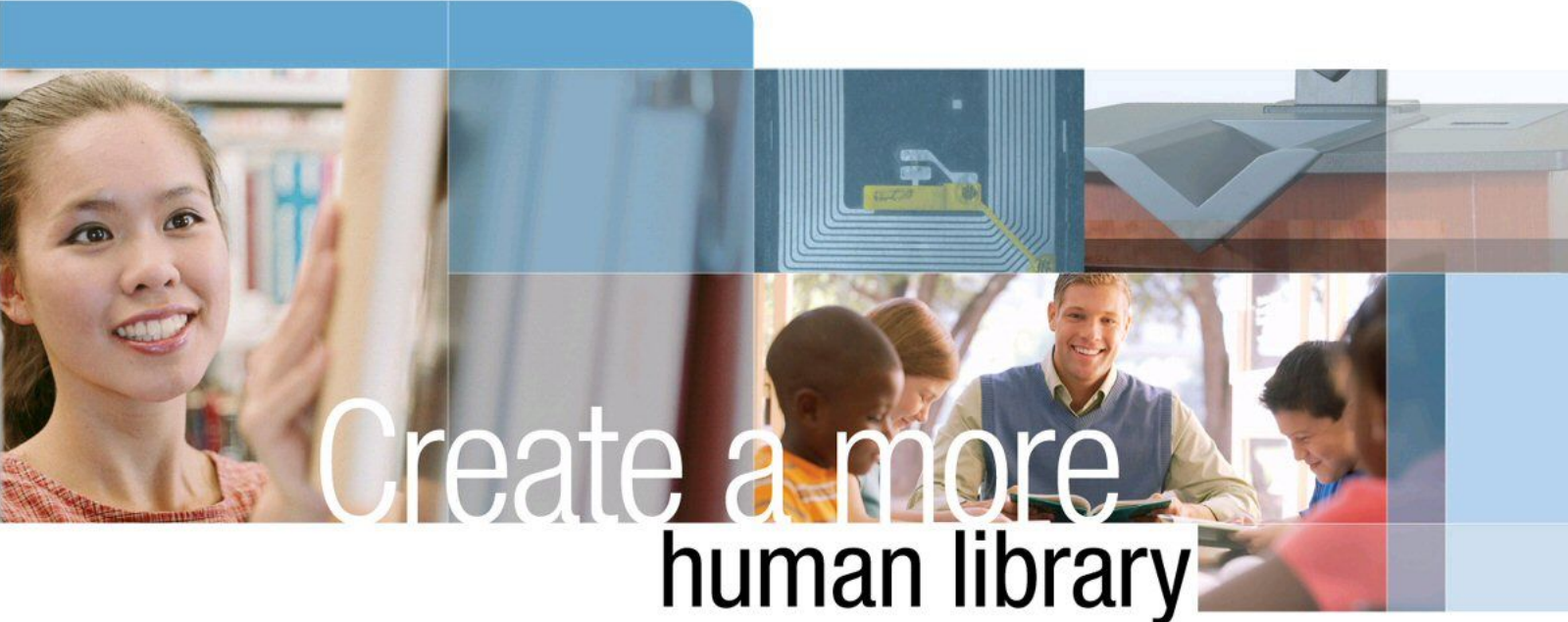


Digital Media Detagger Model 1200

Owner's Manual



Copyright © 2008, 3M. All rights reserved.

Digital Media Detagger Model 1200 Owner's Manual, 78-812x-xxxx-xA

3M is a trademark of 3M.

Contents

- Safety 1**
 - Intended use 1
 - Explanation of signal word consequences 1
 - Explanation of product safety label symbols 1
 - Safety messages contained in this manual 2
 - Label locations 3

- Regulatory information 5**
 - FCC intentional radiator certification 5
 - Industry Canada radio frequency rules and regulations 5
 - EMC compliance Europe 5

- Site planning 7**
 - Environmental specifications 7
 - Electrical specifications 7
 - Dimensions and weight 7
 - Mounting options 8
 - Work flow 8

- Operation 9**
 - Model 1200 orientation 9
 - Setup 9
 - The status light 10
 - Processing items 11

- Cleaning 13**

- Troubleshooting 15**

- Warranty 17**

- 3M Service 19**
 - 3M Service phone numbers 19
 - Returning a unit for repair 19

Contents

Safety



Keep this manual for future reference!

Read, understand, and follow all safety information contained in these instructions prior to installation and use of the 3M™ Digital Media Detagger Model 1200. Retain these instructions for future reference.



Intended use

The 3M™ Digital Media Detagger Model 1200 is designed and tested for use in processing library materials with RFID tags. It was designed for use in an indoor library environment and has not been tested for other uses or environments.

Explanation of signal word consequences

 WARNING	Indicates a potentially hazardous situation, which, if not avoided, could result in death or serious injury and/or property damage.
 CAUTION	Indicates a potentially hazardous situation, which, if not avoided, may result in minor or moderate injury and/or property damage.
CAUTION	Indicates a potentially hazardous situation, which, if not avoided, may result in property damage.

Explanation of product safety label symbols

	Attention: Read accompanying documentation
	Risk of electric shock

Safety messages contained in this manual

WARNING

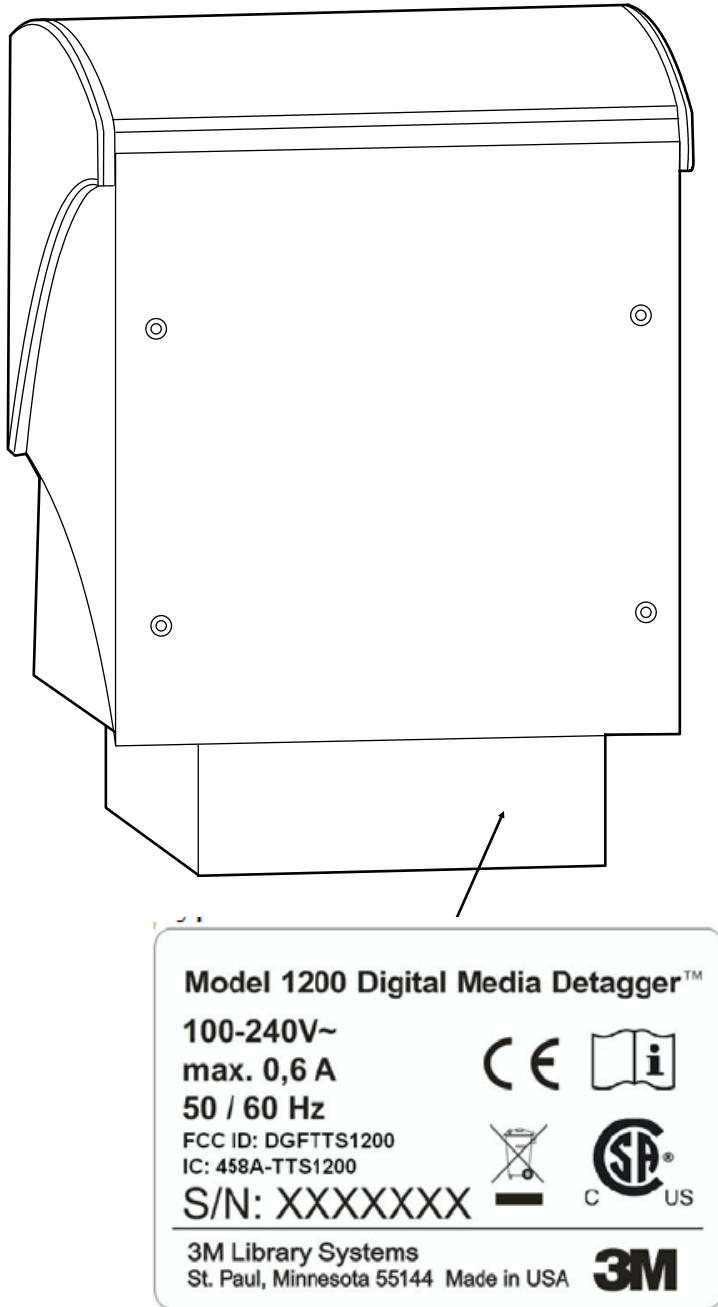
To reduce the risk of exposure to hazardous voltage and/or fire while operating the device, observe the following rules:

- Because this unit contains high voltage and the risk of electrical shock, do not remove electrical panels. This unit has no user serviceable parts. It is serviceable by certified 3M technicians only.
- Ensure access to the power cord. The unit has no on/off switch.
- If the device is dropped, unplug it and do not use it. Call for service.
- With in-counter installations, do not use mounting material to stick the device to the desk.
- Do not use the device outdoors or in a wet environment.

CAUTION

- To reduce the risk associated with improper waste removal that could contaminate the environment, at the end of service life dispose of the unit in accordance with local environmental regulations.
- Keep all liquids away from the unit.

Label locations



1200 Label Placement

Figure 1 Label location

Regulatory information

FCC intentional radiator certification

FCC ID: **DGFTTS1200**

This equipment contains an intentional radiator approved by the FCC under the FCC ID number shown above. This device complies with Part 15 of the FCC Rules. Operation is subject to the following two conditions: (1) this device may not cause harmful interference, and (2) this device must accept any interference received, including interference that may cause undesired operation.

NO MODIFICATIONS. Modifications to this device shall not be made without the written consent of the 3M Company. Unauthorized modification may void the authority granted under Federal Communications Commission Rules permitting the operation of this device.

Industry Canada radio frequency rules and regulations

This Class A digital apparatus meets all requirements of the Canadian Interference-Causing Equipment Regulations.

Cet appareil numérique de la classe A respecte toutes les exigences du Règlement sur le matériel brouilleur du Canada.

CANADA : **IC: 458A-TTS1200**

Operation is subject to the following two conditions: (1) this device may not cause interference, and (2) this device must accept any interference received, including interference that may cause undesired operation of the device.

EMC compliance Europe

This equipment complies with the requirements of the RTTE and EMC directives.

Regulatory information

Site planning

Environmental specifications

Temperature (operating)	32°F to 104°F (0°C to 40°C)
Temperature (storage)	-40°F to 131°F (-40°C to 55°C)
Relative humidity (operation)	5% to 95% RH, non-condensing
Relative humidity (storage)	5% to 99% RH, non-condensing

Electrical specifications

100 – 240 VAC, 0.6 A max, 50/60 Hz

Dimensions and weight

Depth	13.4 in. (34 cm)
Height	12.2 in. (31 cm)
Width	9 in. (23 cm)
Weight	15 lbs. (7 kg)

Mounting options

The Detagger Model 1200 can be imbedded in a counter or mounted on a table top.


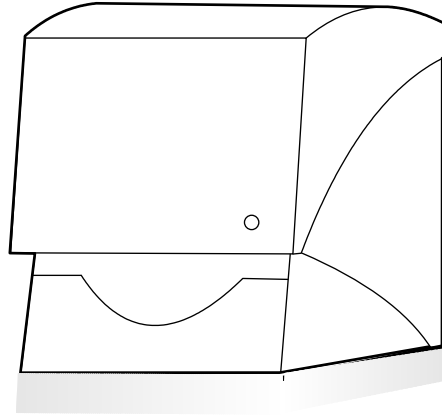
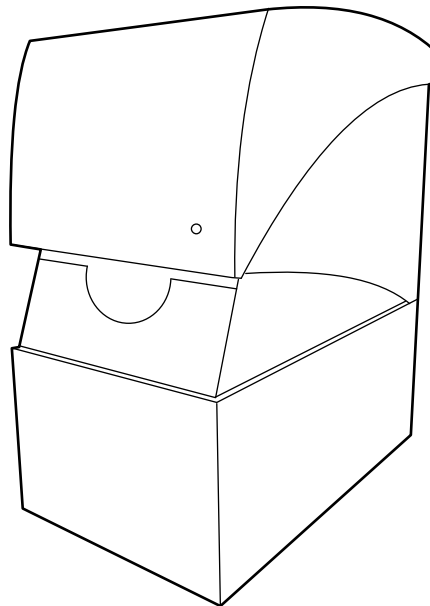
 **WARNING** Do NOT use mounting material with in-counter installations.

Figure 2 In-counter installation



1200 Gr In-counter

Figure 3 Table top installation using optional base frame



1200 Gr Table Top

Work flow

Each library site has unique workflow and space requirements that you should consider when selecting a location for the Digital Media Detagger:

- Is there enough space to process items?
- Is there enough room so that other library equipment will not interfere with the operation of the Digital Media Detagger?

Operation

Model 1200 orientation

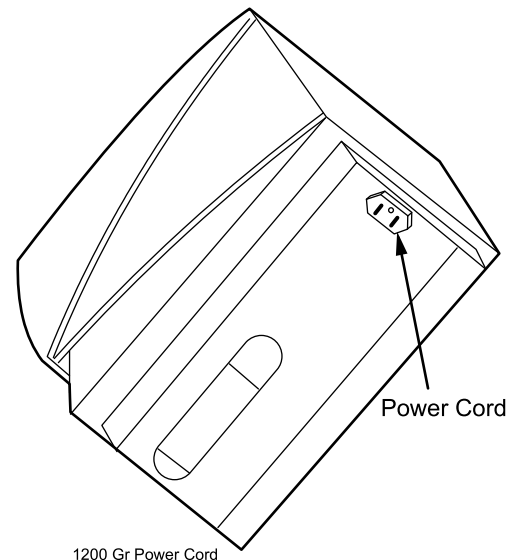
The Digital Media Detagger allows patrons to quickly and efficiently process CD/DVD cases secured with the Red Tag system.

Setup

The Digital Media Detagger does not have a power cord. To turn it on, simply apply power.

⚠ DANGER This equipment contains high voltage. Risk of electric shock. Do not remove protective panels. Serviceable only by certified 3M technicians. No user-serviceable parts.

1. Connect the power cord to the power receptacle at the rear of the unit.

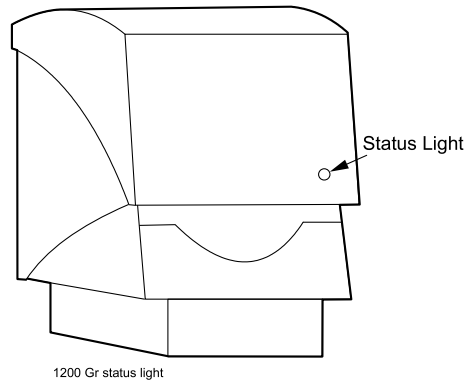


2. Plug the other end of the power cord into a power outlet.

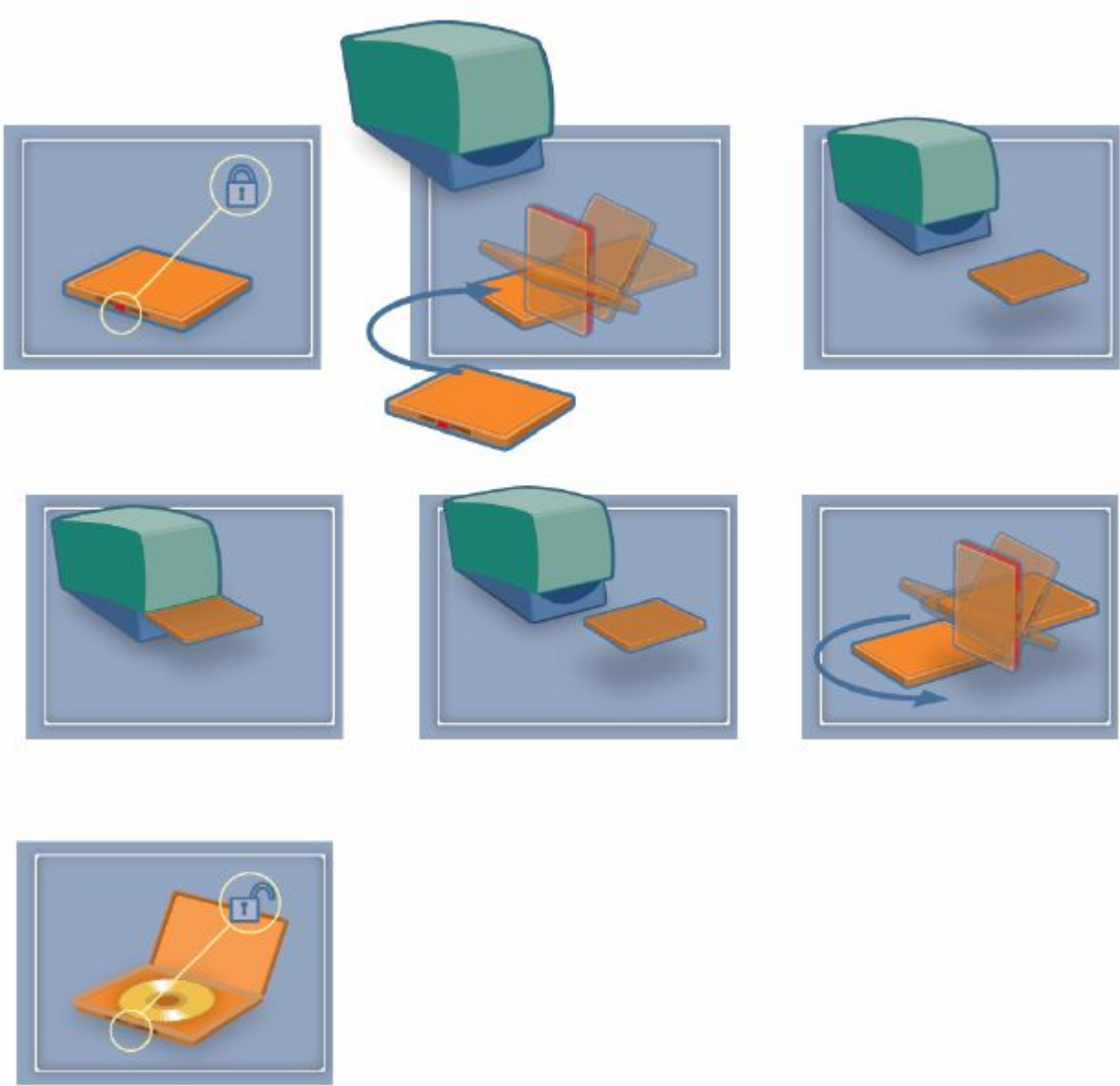
⚠ WARNING Because the unit does not have an on/off switch, ensure that access to the power cord is always available.

The status light

- The status light turns green when a case is processed correctly.
- The status light flashes red until a processed item is removed from the unit.
- The status light turns red and the Red Tag is not removed when the unit detects a case that was not processed correctly on the Self Check system.



Processing items



Cleaning

To clean the unit, do the following:

1. Remove power from the Digital Media Detagger by unplugging the unit.
2. Using a damp cloth (with or without mild detergent), wash all outside surfaces.

Troubleshooting

Here are some things to try if you have trouble with the unit.

Condition: no status light or status light always red

- Check the power cord.
- Unplug the unit, wait 10 seconds, and then supply power again.
- Call 3M Service. See *3M Service phone numbers on page 19*.

Condition: cannot process the case; Red Tag cannot be removed

- Check to see if a Red Tag strip was left in the unit after the last processing.
- Unplug the unit, wait 60 seconds, and then supply power again.
- Call 3M Service. See *3M Service phone numbers on page 19*.

Warranty

Effective 12-12-05

One Year Library Systems Product Performance Guarantee: Subject to the Limitation of Liability below, 3M guarantees your satisfaction with the performance of any 3M Library System Product for 12 months from the date of installation provided that a) you are the original purchaser; b) you have executed a one (1) year 3M Service Agreement for maintenance of the Library System product; and c) the product has not been subjected to abuse, misuse, accident or neglect. Performance means the product meets 3M published product specifications. If you are not completely satisfied with the performance of your Library System Product, you may return the Library System product for a prompt refund. 3M will pay all reasonable de-installation and shipping charges to return the product to 3M. Note that all claims under this guarantee must be submitted to 3M within 12 months from the date of installation of the 3M Library Systems Product. Failure to submit a claim within this time frame will invalidate this guarantee. IMPORTANT: Consumables and non-3M branded products are excluded from this Guarantee.

Warranty and Limited Remedy for Non-Software Library Systems Products Not Covered by Performance Guarantee: Unless stated otherwise in 3M product literature or packaging, 3M warrants that each 3M Library Systems Product meets the applicable specifications for a period of ninety (90) days from the date of shipment (or, in the case of hardware installed by 3M, from the date of installation). Any warranties related to 3M software are contained in separate 3M software licenses. Consumables and non-3M branded products are excluded from this Warranty and Limited Remedy.

3M MAKES NO OTHER GUARANTEES, WARRANTIES OR CONDITIONS, EXPRESS OR IMPLIED, INCLUDING, BUT NOT LIMITED TO, ANY IMPLIED WARRANTY OR CONDITION OF MERCHANTABILITY OR FITNESS FOR A PARTICULAR PURPOSE OR ANY IMPLIED WARRANTY OR CONDITION ARISING OUT OF A COURSE OF DEALING, CUSTOM OR USAGE OF TRADE. You are responsible for determining whether the 3M product is fit for a particular purpose and suitable for your application. If the 3M product is defective within the warranty period and provided that a) the product has not been subjected to abuse, misuse, accident or neglect and b) you have notified 3M within thirty (30) days after the defect was discovered, your exclusive remedy and 3M's and seller's sole obligation will be, at 3M's option, to replace or repair the defective 3M product.

Limitation of Liability: EXCEPT WHERE PROHIBITED BY LAW, 3M AND SELLER WILL NOT BE LIABLE FOR ANY LOSS OR DAMAGE ARISING FROM 3M LIBRARY SYSTEMS, WHETHER DIRECT, INDIRECT, SPECIAL, INCIDENTAL OR CONSEQUENTIAL, REGARDLESS OF THE LEGAL THEORY ASSERTED, INCLUDING WARRANTY, CONTRACT, NEGLIGENCE OR STRICT LIABILITY.

Guarantee and Warranty Claims: For guarantee and warranty claims, and for service, contact our service representatives at 1-800-328-0067

**3M Security Systems Division
3M Center Building 255-4N-14
St. Paul, MN 55144-1000**

Ver121205

Warranty

3M Service

Once the facility is ready for installation, call 3M Service to arrange for installation and setup.

3M Service phone numbers

For questions regarding your system, call one of the following numbers.

In the United States

1-800-328-0067

In Canada

English 1-800-268-6235
Français 1-800-567-3193

In other countries

Call your local 3M office.

Returning a unit for repair

Need information on where to return the unit and any other requirements. Unit should be returned from field technician to either New Ulm or for Europe to company LPR which is already offering that service ??????????????