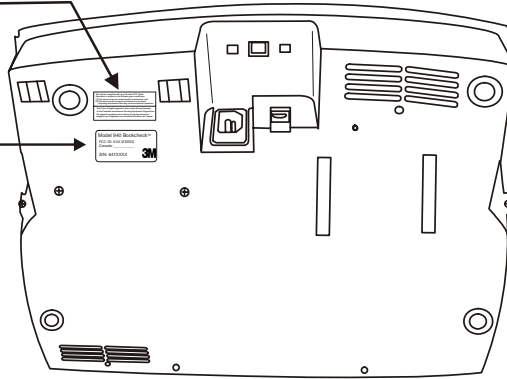


# Label locations (Model 946)

This device complies with part 15 of the FCC Rules. Operation is subject to the following two conditions:  
 (1) This device may not cause harmful interference, and  
 (2) This device must accept any interference received, including interference that may cause undesired operation.

This Class A digital apparatus also meets all requirements of the Canadian Interference-Causing Equipment Regulations.  
 Cet appareil numérique de la classe A respecte toutes les exigences du Règlement sur le matériel brouilleur du Canada.

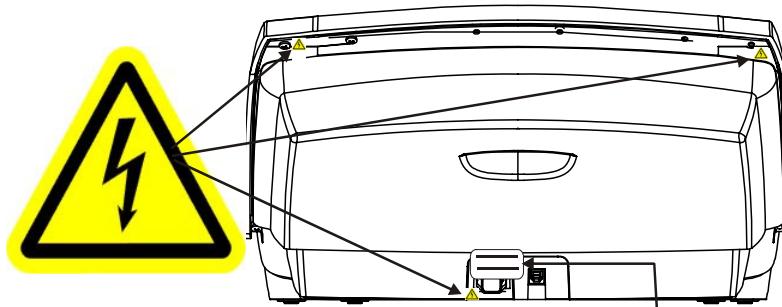


**Model 946 Bookcheck**  
 100-120V~ / 200-240V~  
 2 / 1 A  
 60 / 50 Hz

S/N: 946XXXX

3M Library Systems  
 St. Paul, Minnesota 55144

UL US  
 IEC  
 N1108  
 3M



This device complies with part 15 of the FCC Rules. Operation is subject to the following two conditions:  
 (1) This device may not cause harmful interference, and  
 (2) This device must accept any interference received, including interference that may cause undesired operation.

This Class A digital apparatus also meets all requirements of the Canadian Interference-Causing Equipment Regulations.  
 Cet appareil numérique de la classe A respecte toutes les exigences du Règlement sur le matériel brouilleur du Canada.

**Read Installation Instructions in manual before connecting power cord.**

**STOP**

**Note: US and Canada use 115V**

Voltage Selection Switch label, which the customer will remove at installation

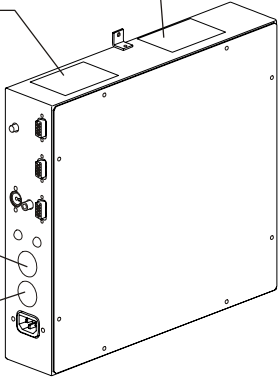
78-8129-2641-4

100 - 240V-  
 50/60 Hz  
 1 A

FCC ID: DGF88046  
 Canada: ...

3M Library Systems  
 St. Paul, Minnesota 55144

UL US  
 IEC LIBRARY ACCESSORY  
 N1108  
 3M



**CAUTION**  
 LASER LIGHT  
 DO NOT STARE INTO BEAM  
 CLASS 2 LASER PRODUCT

This product complies with 21 CFR Subchapter J, IEC 60825-1:1997 and EN 60825-1:1996

