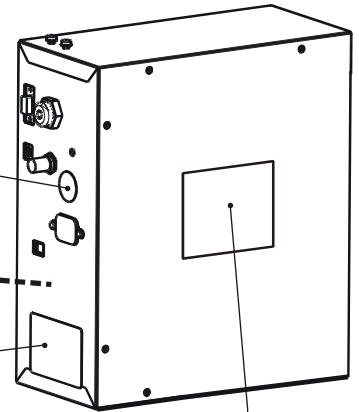
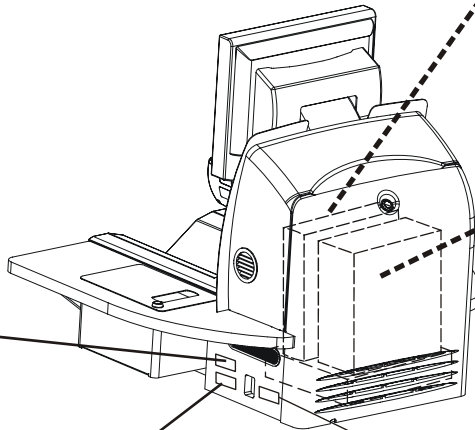
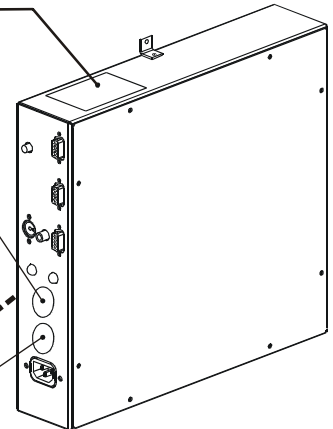
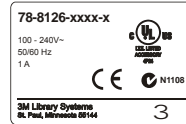
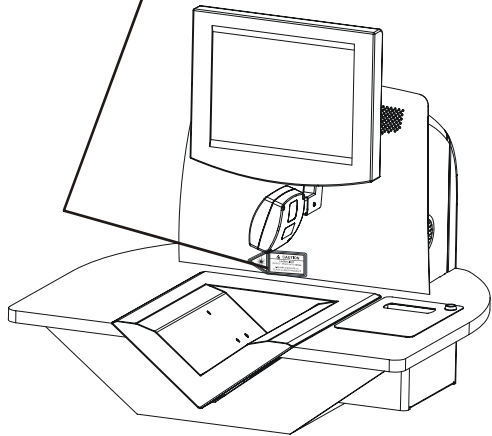
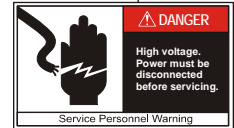
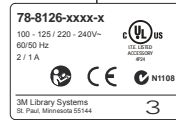


# V-Series Tabletop Unit label locations



This product complies with 21 CFR Subchapter J, IEC 60825-1:1997 and EN 60825-1:1996

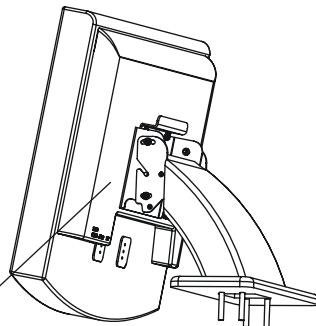
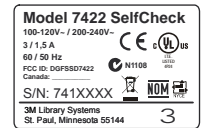
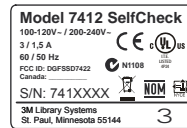
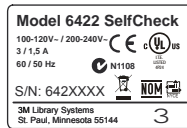
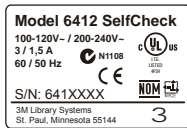
This device complies with part 15 of the FCC Rules. Operation is subject to the following two conditions:  
 (1) This device may not cause harmful interference, and  
 (2) This device must accept any interference received, including interference that may cause undesired operation.  
 This Class A digital apparatus also meets all requirements of the Canadian Interference-Causing Equipment Regulations.  
 Cet appareil numérique de la classe A respecte toutes les exigences du Règlement sur le matériel brouilleur du Canada.



Disconnect power before servicing. Unit contains high voltage electrical circuits that must be discharged and checked for voltage prior to servicing. Service should be performed only by 3M factory trained service personnel.

V-Series\_OM\_001

## One of these labels



BACKLIGHT CONTAINS MERCURY, DISPOSE ACCORDING TO LOCAL, STATE, AND FEDERAL LAWS