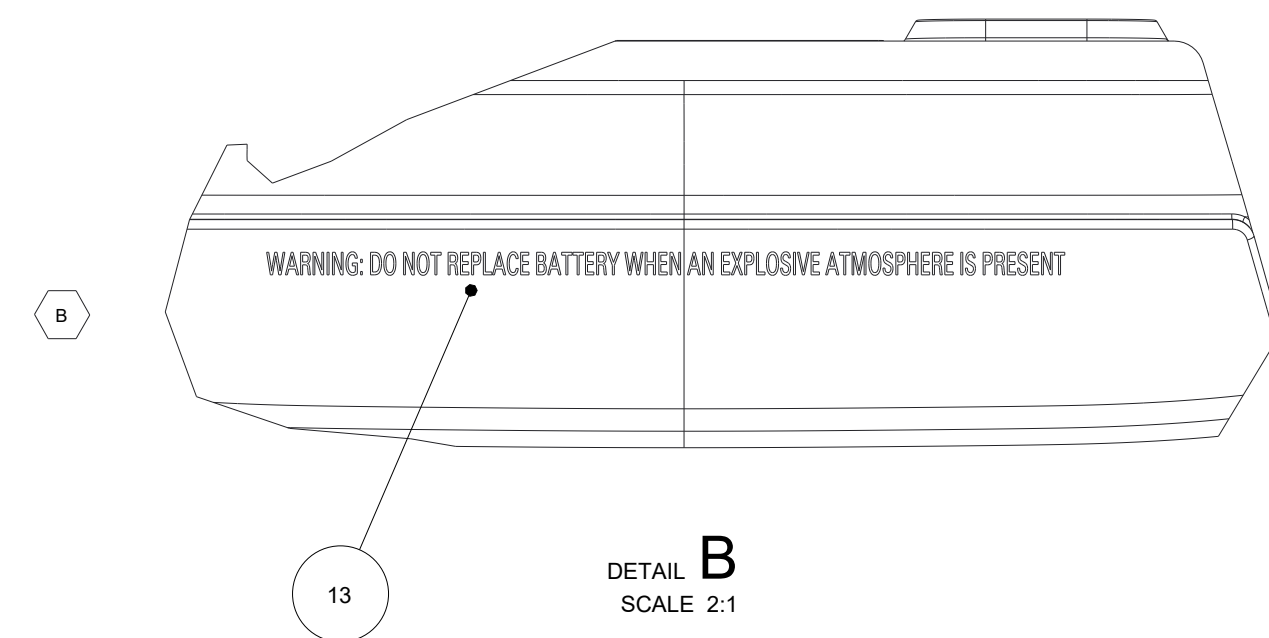
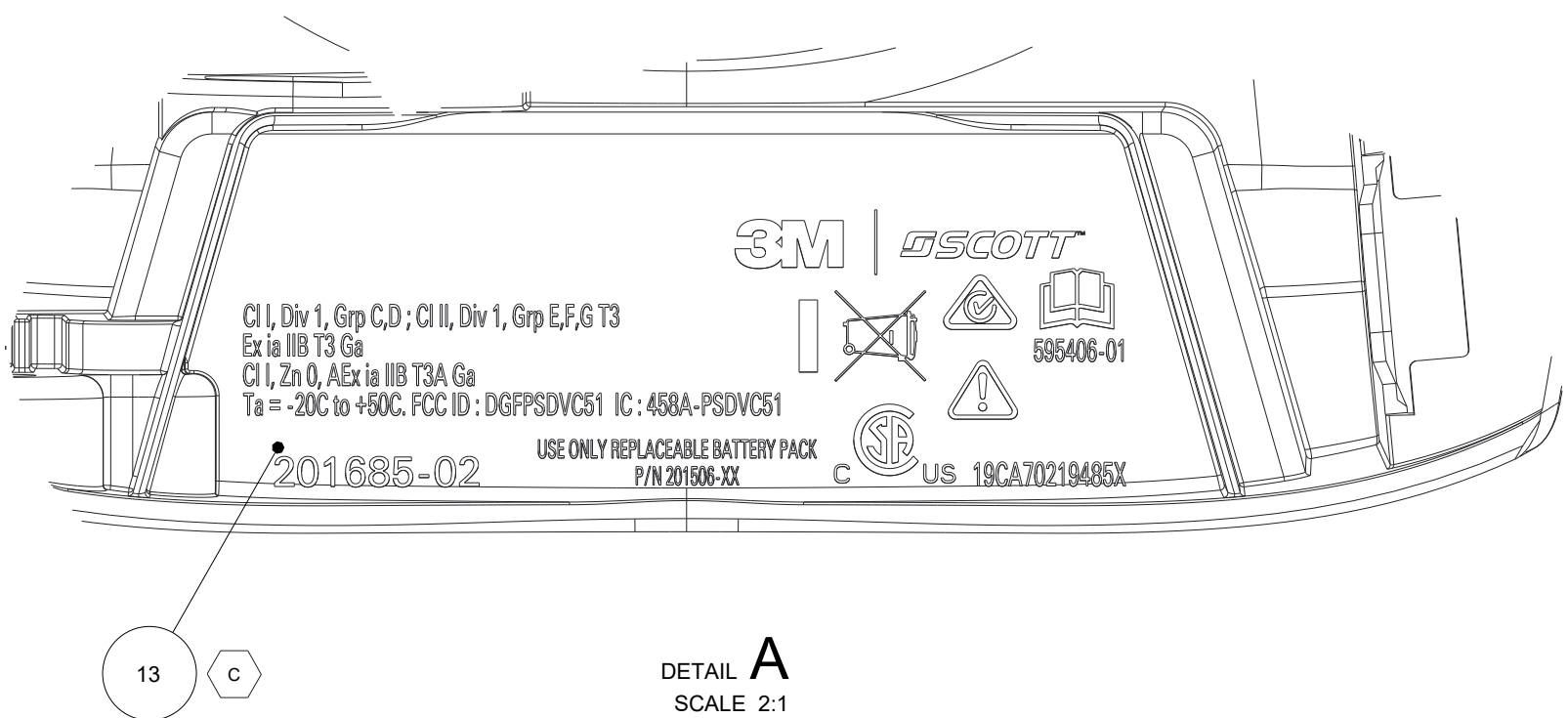
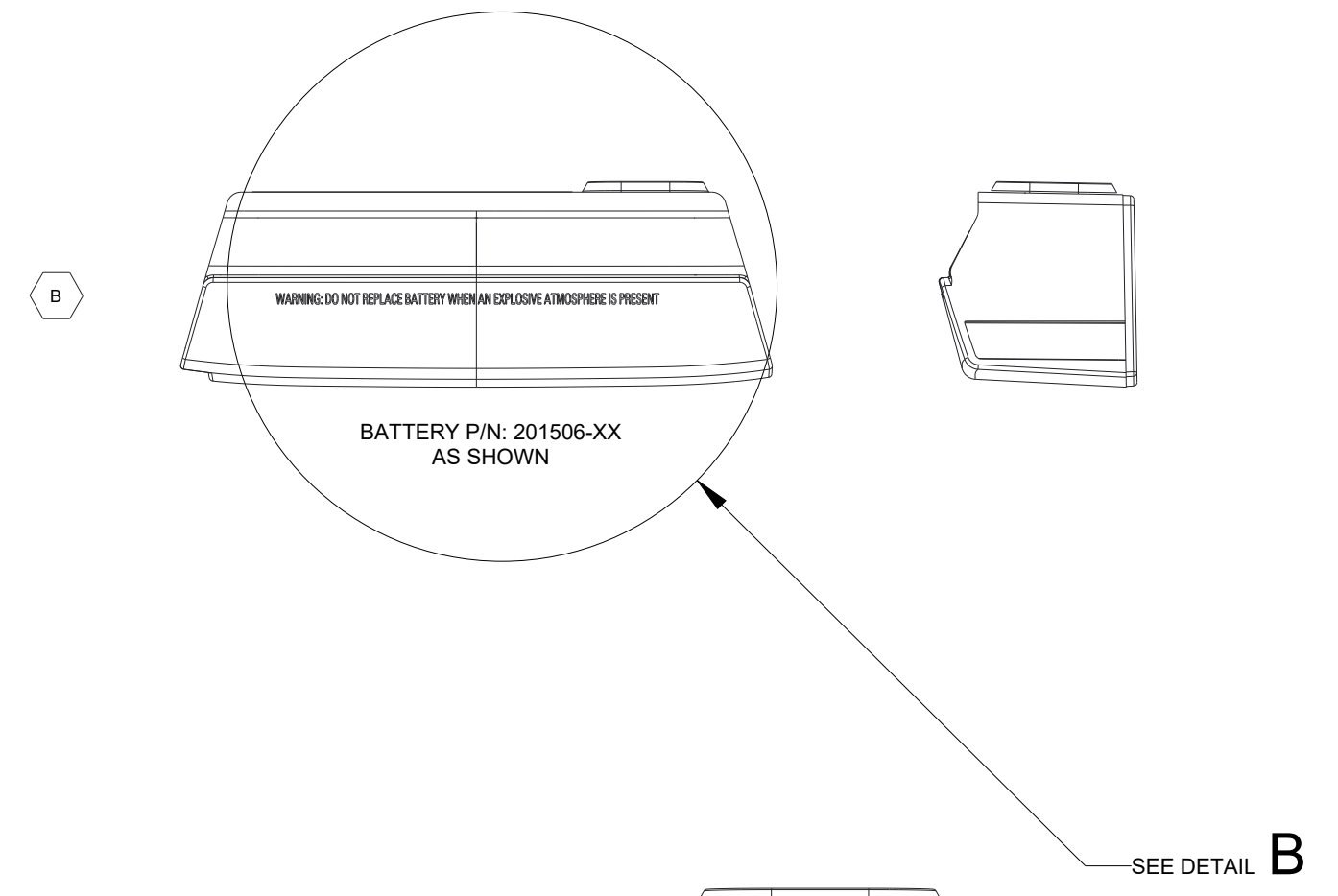
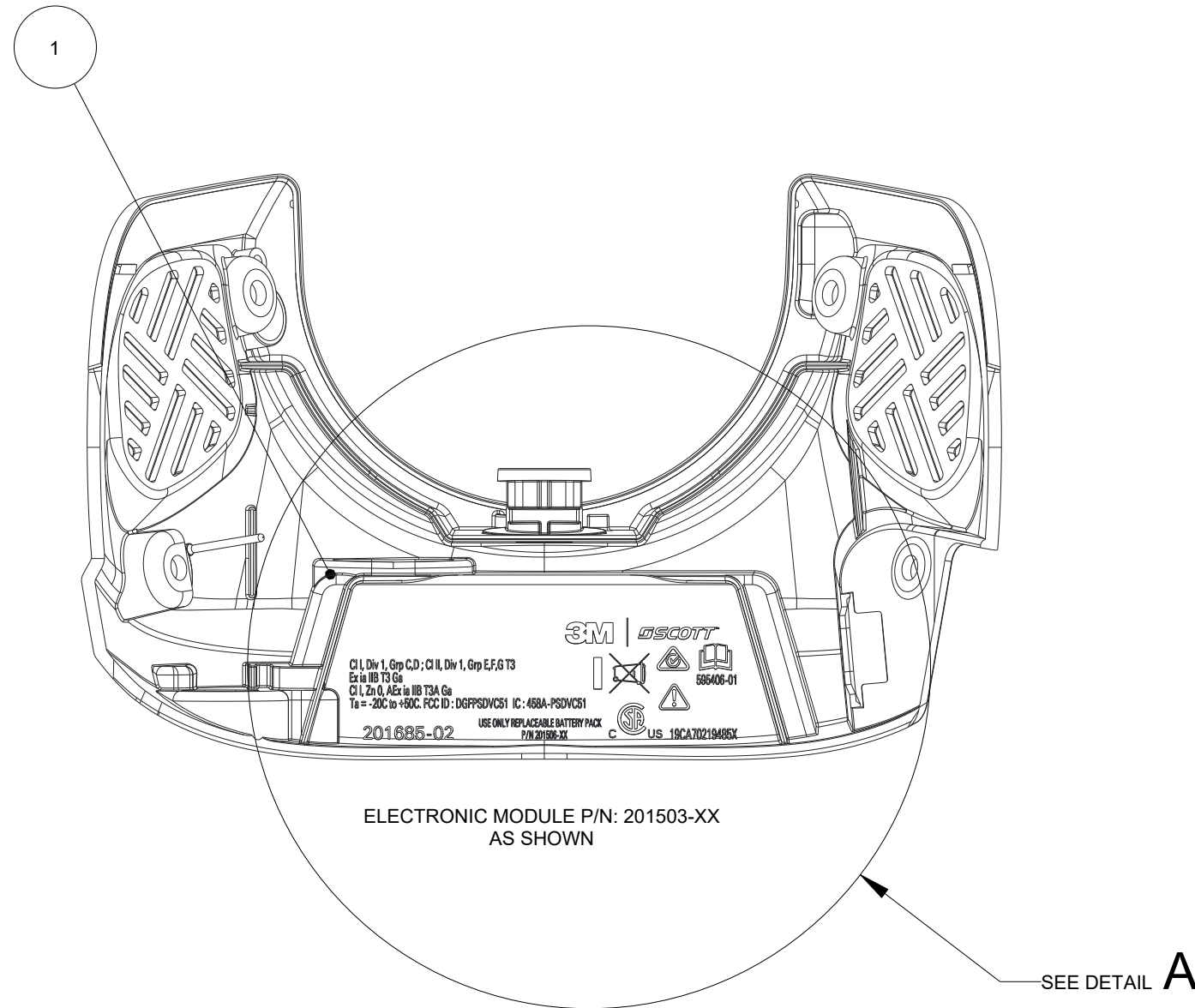


APPROVAL MARKINGS
SEE SHEET 4 FOR BILL OF MATERIALS

REVISION			DATE	ENGINEER	CHECKED
REV	ECN Nr.	DESCRIPTION			
		SEE SHEET 1			



DETAIL A
SCALE 2:1

DETAIL B
SCALE 2:1

**EXPLOSIVE ATMOSPHERES NOTICE
SCHEDULED DOCUMENT**

THIS DOCUMENT CONTROLLED BY POTENTIALLY EXPLOSIVE ATMOSPHERES APPROVAL(S) AND MAY NOT BE CHANGED IN ANY WAY WITHOUT PRIOR WRITTEN CONSENT OF ALL CERTIFYING BODY(S) OR AGENCY(S). CONTACT SCOTT'S CERTIFICATION GROUP BEFORE REVISING THIS DOCUMENT OR ANY INFORMATION SPECIFIED HEREIN.

<small>COMMERCIAL RESTRICTIVE LEGEND - ALL ITEMS, ASSEMBLIES, SPECIFICATIONS AND DIMENSIONS INCLUDED ON THIS DRAWING ARE PROPRIETARY TO AND THE PROPERTY OF SCOTT TECHNOLOGIES, INC. AND MAY NOT BE USED TO MANUFACTURE OR DUPLICATE THE ITEMS SHOWN HEREON. THE CONTENTS OF THIS DRAWING IN WHOLE, OR IN PART, ARE NOT TO BE USED, REPRODUCED, OR DISCLOSED TO ANY THIRD PARTY WITHOUT OBTAINING THE EXPRESS WRITTEN AUTHORIZATION OF SCOTT TECHNOLOGIES, INC.</small>					
DRAWN BY: E.BASSANI	DATE: 08/23/2019			Scott Safety Monroe Corporate Center 4320 Goldmine Road Monroe, NC 28110	
DESIGNED BY: E.BASSANI	DATE: 08/23/2019			VISION C5, COMMUNICATION MODULES, SCHEDULE DRAWING	
APPROVED BY: D.GROSSE	DATE: 08/23/2019	DECIMAL .XX, .XXX +/-0.01, +/-0.005	ANGLE +/-0.5°	SIZE C	CAGE CODE 15927
UNLESS OTHERWISE SPECIFIED: DIMENSIONS ARE IN INCHES.		 PROJECTION		DRAWING NUMBER 201722-EX	REV C
ALL DIMENSIONS AFTER PLATING.		1:1	SHEET	11/12	

REVISION					
REV	ECN-ECO #	DESCRIPTION	DATE	ENGINEER	CHECKED
1	N/A	INITIAL CREATION	04/23/2020	E.BASSANI	A.KRAUSE





FCC CONTENT LABEL



GENERAL POSITION DETAIL
INSTALLED IN MASK SYSTEM



COMMERCIAL RESTRICTIVE LEGEND - ALL ITEMS, ASSEMBLIES, SPECIFICATIONS AND DIMENSIONS INCLUDED ON THIS DRAWING ARE PROPRIETARY TO AND THE PROPERTY OF SCOTT TECHNOLOGIES, INC. AND MAY NOT BE USED TO MANUFACTURE OR DUPLICATE THE ITEMS SHOWN HEREON. THE CONTENTS OF THIS DRAWING IN WHOLE, OR IN PART, ARE NOT TO BE USED, REPRODUCED, OR DISCLOSED TO ANY THIRD PARTY WITHOUT OBTAINING THE EXPRESS WRITTEN AUTHORIZATION OF SCOTT TECHNOLOGIES, INC.

DRAWN BY: E.BASSANI DATE: 04/23/2020	 3M / SCOTT SAFETY Monroe Corporate Center 4320 Goldmine Road Monroe, NC 28110	TITLE			
DESIGNED BY: E.BASSANI DATE: 04/23/2020		VISION C5 MCU FCC LABEL CONTENT			
APPROVED BY: M.SHETTEL DATE: 04/23/2020		SIZE B	CAGE CODE 15927	DRAWING NUMBER VISION_C5_MCU_FCC_LABEL_CONTENT	REV 1
DECIMAL .XX, .XXX ANGLE +/-0.5° +/-0.01, +/-0.005		 PROJECTION		DRAWING SCALE	SHEET 1/1
UNLESS OTHERWISE SPECIFIED: DIMENSIONS ARE IN INCHES. ALL DIMENSIONS AFTER PLATING.					

REVISION					
REV	ECN-ECO #	DESCRIPTION	DATE	ENGINEER	CHECKED
1	N/A	INITIAL CREATION	04/23/2020	E.BASSANI	A.KRAUSE
2	N/A	ADDED MODULE S/N VIEW	05/04/2020	E.BASSANI	A.KRAUSE



FCC CONTENT LABEL



GENERAL POSITION DETAIL
INSTALLED IN MASK SYSTEM



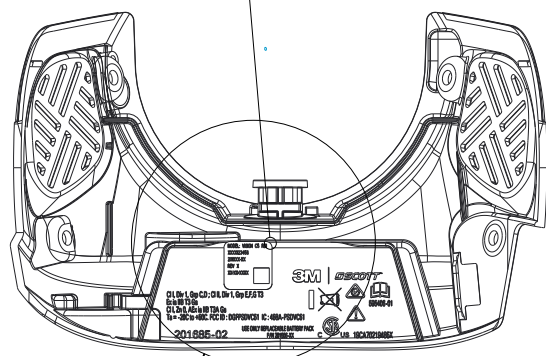
B

B

MODEL: VISION C5 RDI
 XXXX123456
 201XXX-XX
 REV X
 XX/XX/XXXX

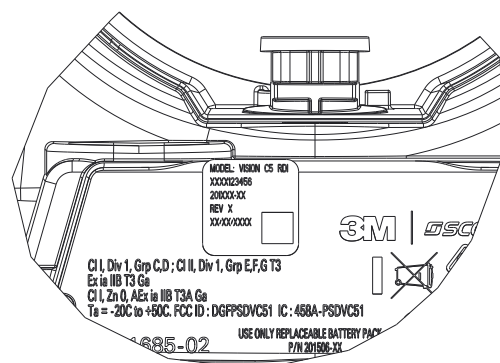
SCALE 3:1

GENERAL POSITION DETAIL
PRODUCT SERIAL NUMBER LABEL





SEE DETAIL A

SCALE 1:2



DETAIL A
SCALE 1:1

COMMERCIAL RESTRICTIVE LEGEND - ALL ITEMS, ASSEMBLIES, SPECIFICATIONS AND DIMENSIONS INCLUDED ON THIS DRAWING ARE PROPRIETARY TO AND THE PROPERTY OF SCOTT TECHNOLOGIES, INC. AND MAY NOT BE USED TO MANUFACTURE OR DUPLICATE THE ITEMS SHOWN HEREON. THE CONTENTS OF THIS DRAWING IN WHOLE, OR IN PART, ARE NOT TO BE USED, REPRODUCED, OR DISCLOSED TO ANY THIRD PARTY WITHOUT OBTAINING THE EXPRESS WRITTEN AUTHORIZATION OF SCOTT TECHNOLOGIES, INC.					
DRAWN BY: E.BASSANI	DATE: 04/23/2020	 	3M / SCOTT SAFETY Monroe Corporate Center 4320 Goldmine Road Monroe, NC 28110		
DESIGNED BY: E.BASSANI	DATE: 04/23/2020		TITLE	VISION C5 MCU FCC LABEL CONTENT	
APPROVED BY: M.SHETTEL	DATE: 04/23/2020	SIZE B	CAGE CODE 15927	DRAWING NUMBER VISION_C5_MCU_FCC_LABEL_CONTENT	REV 2
DECIMAL .XX, .XXX ANGLE +/-0.5° +/-0.01, +/-0.005 UNLESS OTHERWISE SPECIFIED: DIMENSIONS ARE IN INCHES. ALL DIMENSIONS AFTER PLATING.		PROJECTION	1:4	SHEET 1/1	

A

A