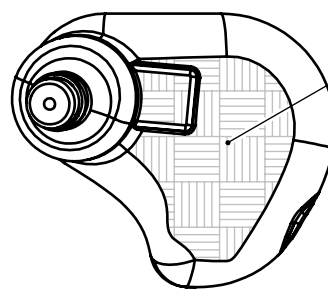
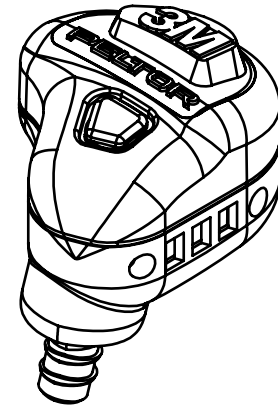
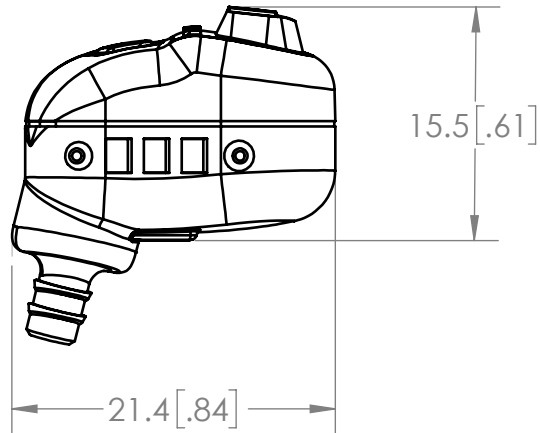
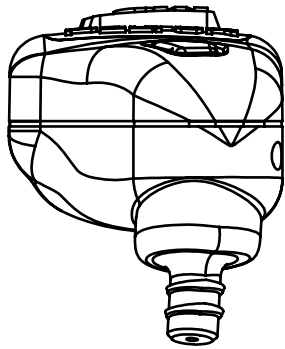
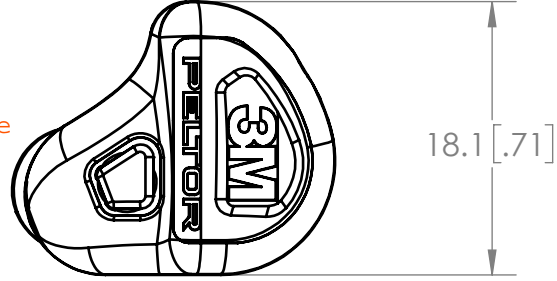


REVISIONS				
REV	DATE	DESCRIPTION	BY	APRV
0	01/29/20	INITIAL RELEASE	MAY	

The dimensions of the TEP-300 Earplug are extremely small and it is impracticable to label with a font size that is four-points or larger (see product drawing and photo). Product ID's will be placed on the product packaging/charging case and in the User Manual supplied with the product.



HATCHED AREA RESERVED FOR BARCODE AND SERIAL NUMBER

REF:

NOTES:

- MATERIAL: UV STABILIZED ABS & SILICONE TPV ELASTOMER

SIGNATURES		NAME	DATE	3M	PERSONAL SAFETY DIV. INDIANAPOLIS, IN 46268
DRAWN BY:		M.A. YODER	01/29/20		
CHECKED BY:				TITLE EARPIECE HOUSING SIZE MAXWELL	
ENGINEER:				MATERIAL: SEE NOTES	
OPERATIONS:				FINISH: AS-MOLDED	
REF NO.				DRAWING NO. 020-0240	
SCALE: 2:1		SHEET 1 OF 1		REV 0	
DIMENSION UNITS: MILLIMETERS		<small>© 3M COPYRIGHT</small> <small>This document is the copyrighted property of the 3M Company and may not be reproduced without 3M written permission or used for other than 3M authorized purposes.</small>			
 THIRD ANGLE PROJECTION					



3M

PELTOR[™]



TEP-300 XX

No: 20034000010

FCC ID: DGFPDTEP300

IC: 458A-PSDTEP300

