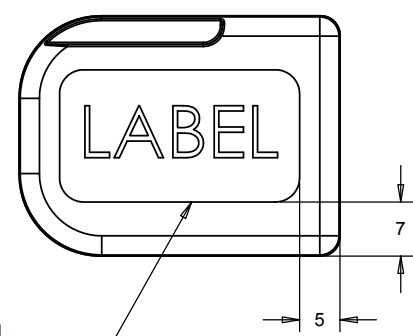
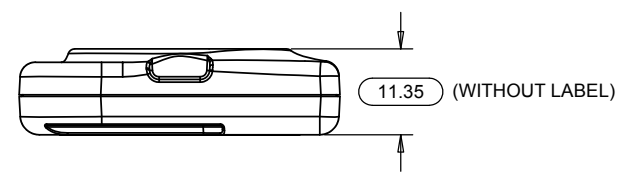
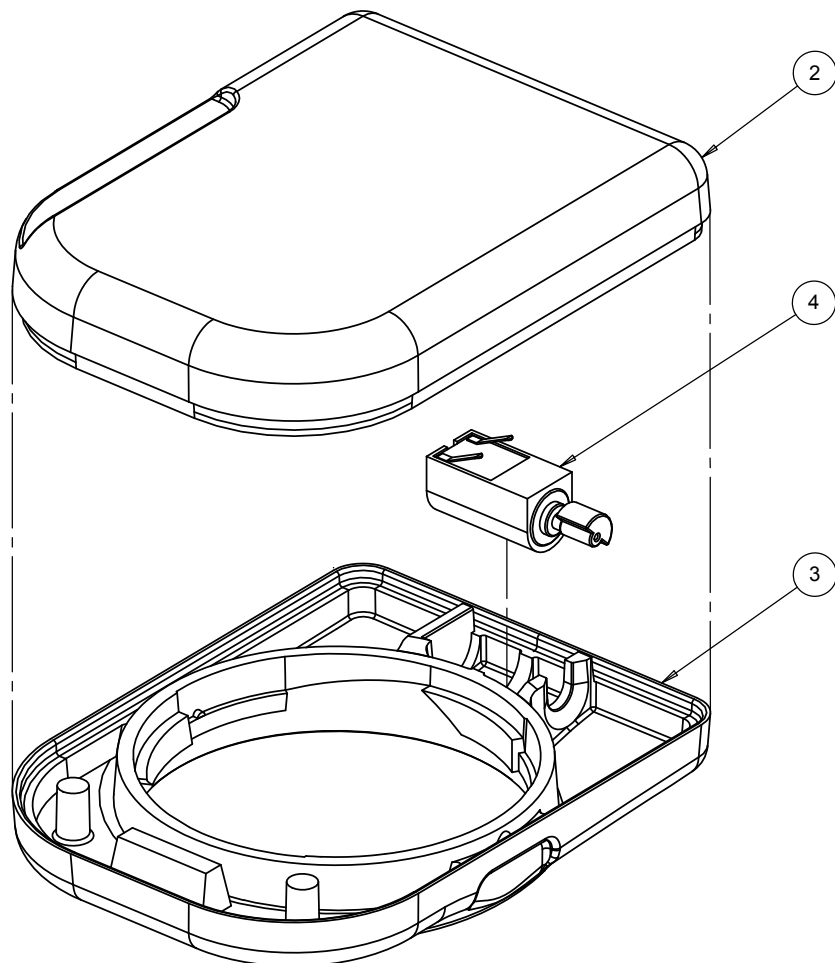


4

3

2

1



**3M**  
 FCC ID: D6FFSDHTP1CX  
 IC: 466A-PSDHTP1CX  
 P 47  
 HTP-1-CX  
 XXXXXXXXXXXX 144118

1 REVISION  
 78-8151-1271-5  
 DRAWING NUMBER

- NOTES:
1. ASSEMBLE ITEM 4 INTO ITEM 3 AS SHOWN
  2. ASSEMBLE AND ULTRASONICALLY WELD ITEM 2 TO ITEM 3 AS SHOWN
  3. ADHERE ITEM 1 ONTO THE FLAT SURFACE OF ITEM 2 AS SHOWN
  4. VACUUM TEST FINISHED ASSEMBLY

DESIGN REFERENCE		NEXT ASSEMBLY		REV	A	0083847	RELEASE TO PRODUCTION	4/1/19	GDK	TCM
DISTRIBUTION CODES				DRFT	ECO		ISSUE DATE AND DESCRIPTION	10/1/2018	DRFT	CHKD
				CHKD	G. KAPPEL		DATE	10/1/2018	DATE	
				CHKD			DATE		DATE	
DIVISION		PSD		DIVISION CODE				<b>3M</b> COPYRIGHT This document is the copyrighted property of the 3M Company and may not be reproduced without 3M written permission or used for other than 3M authorized purposes.		
DO NOT SCALE DRAWING		SCALE 4:1		TOLERANCES EXCEPT AS NOTED		TITLE				
THIRD ANGLE PROJECTION		INCHES		MILLIMETERS		ASSY, ENCLOSURE UNIVERSAL PERIPHERAL				
INTERPRET PER ASME Y14.5 - 2009		0 ± .1		0 ± .13		CAGE NUMBER		SIZE		DRAWING NO.
MAX SURFACE ROUGHNESS		.00 ± .005		.00 ± .005		C		78-8151-1271-5		REV. A
125		<input type="checkbox"/> ALL SURFACES <input checked="" type="checkbox"/> MARKED ONLY		ANGLES ± 1°		MODEL		HTP-1-CX		DET. LISTS <input checked="" type="checkbox"/> YES <input type="checkbox"/> NO <input type="checkbox"/> SHT 1 OF 1

A

4

3

2

1