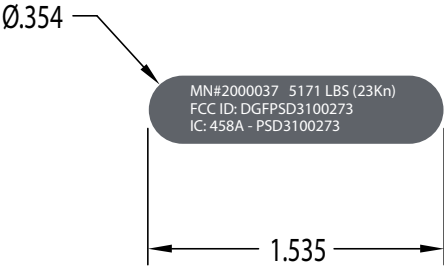


REVISION RECORD					
DATE	REV	ECO	DESCRIPTION	DR	APP
09/06/19	A	60865	RELEASED FOR PRODUCTION	NJ	SS

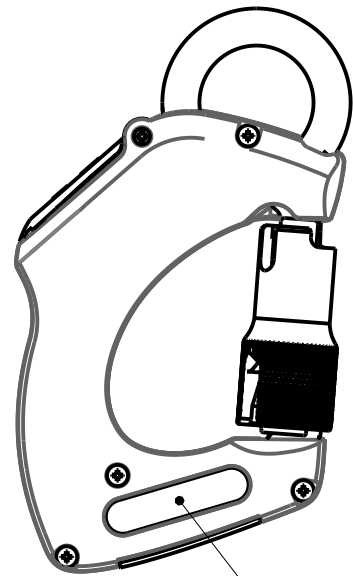
NOTES:

- 1. MATERIAL: .002 WHITE POLYESTER (FLEXCON DPM LSE PM 200) WITH .005 VELVET POLYCARBONATE OVERLAMINATE. MATERIAL TO BE PART OF A UL RECOGNIZED LABELING SYSTEM, SUITABLE FOR OUTDOOR USE ON NYLON SUBSTRATE.
- 2. WHITE COPY ON A PANTONE COOL GRAY 9 C BACKGROUND.
- 3. USE THE CURRENT REVISION OF FILE 9515260.ai FOR LABEL GEOMETRY AND ARTWORK. ALL LABEL GEOMETRY TOLERANCE SHALL BE ±.010.
- 4. MANUFACTURER SHALL PROVIDE DOCUMENTATION DUE UPON ARRIVAL OF EACH SHIPMENT CERTIFYING THE FOLLOWING:
 - A) THE PARTS ARE RoHS AND REACH COMPLIANT.

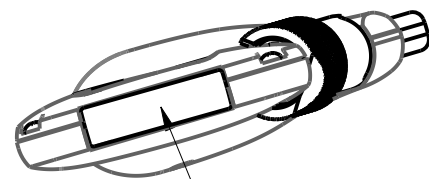


UNLESS OTHERWISE SPECIFIED DIMENSIONS ARE IN INCHES TOLERANCES ON: 2 PL DECIMALS ± 3 PL DECIMALS ± ANGLES ± ° FRACTIONS ±	© 3M COPYRIGHT This document is the copyrighted property of the 3M Company and may not be reproduced without 3M written permission or used for other than 3M authorized purposes.			
	SCALE	1:1	ILLUSTRATOR	Red Wing, MN, USA
	TITLE			
	LABEL, FCC ID, CX CARABINER			
SIGNATURES		DATE		
DRAWN	NJ	09/06/19		
CHECKED	SS	09/06/19		
APPROVED	SS	09/06/19		
SHEET 1 OF 1		DO NOT SCALE DRAWING	DRAWING NUMBER	REVISION
			9515261	A

2000037

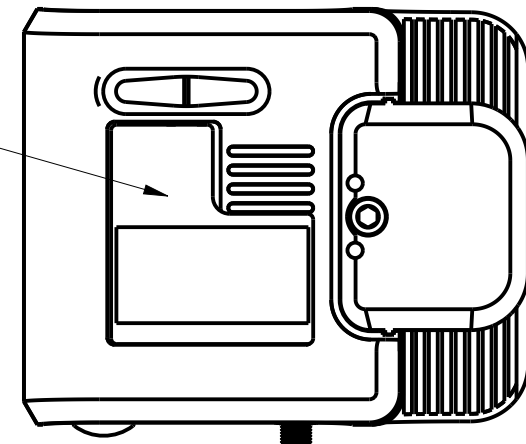


9515261 - FCC LABEL

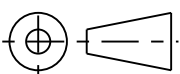



9515260 - ID LABEL

8548924



9515262 - FCC AND ID LABEL

UNLESS OTHERWISE SPECIFIED DIMENSIONS ARE IN INCHES			 THIRD ANGLE PROJECTION	© 3M COPYRIGHT This document is the copyrighted property of the 3M Company and may not be reproduced without 3M written permission or used for other than 3M authorized purposes.										
TOLERANCES ON: 2 PL DECIMALS ± 0.01 3 PL DECIMALS ± 0.005 ANGLES ± 0.5° FRACTIONS ±						SCALE: 2.000	CREO	RED WING, MN, USA						
<table border="1"> <tr> <td>INITIALS</td> <td>DATE</td> </tr> <tr> <td>DRAWN SS</td> <td>09/17/19</td> </tr> <tr> <td>CHECKED</td> <td></td> </tr> <tr> <td>APPROVED</td> <td></td> </tr> </table>			INITIALS	DATE	DRAWN SS	09/17/19	CHECKED		APPROVED		TITLE FCC LABEL LOCATIONS, VEGAS			
INITIALS	DATE													
DRAWN SS	09/17/19													
CHECKED														
APPROVED														
SHEET 1 OF 1			DO NOT SCALE DRAWING	DRAWING NUMBER 014065	REVISION 1									