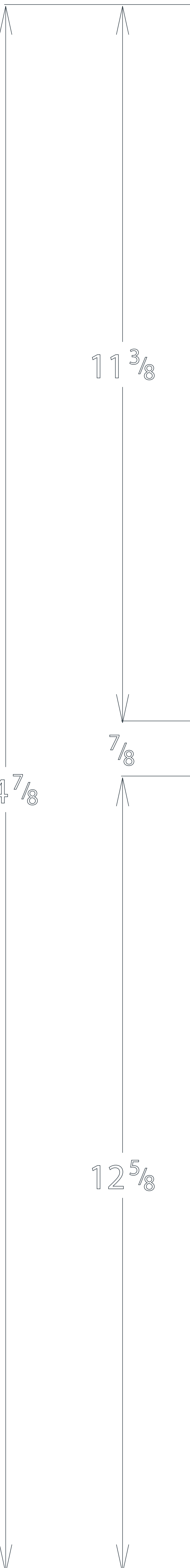






- Cut
- - - Perf - Spine
- - - Outside Bleed
- - - Copy Limit





6 38060 00063 05058 9

**RECYCLING INFORMATION**

This product contains a minimum of 20% recycled content, including 10% post-consumer waste. The use of recycled content helps conserve natural resources and energy. For more information, visit [www.3m.com](http://www.3m.com).

**Microparticle Performance Rating (MPR)**

This filter has a Microparticle Performance Rating (MPR) of 2200. This rating is based on the filter's ability to capture particles of various sizes and types. For more information, visit [www.3m.com](http://www.3m.com).

**Smart App**

When you change your filter, it is recommended by the Filter™ Smart App to use a compatible smart device to track the filter's life and receive alerts. For more information, visit [www.3m.com](http://www.3m.com).

### INSTALLATION & DISPOSAL

**1. Insert filter into the designated opening in your home's furnace, air conditioning system, or wall/ceiling return units with the arrow on the frame pointing toward the units.**

**2. Track and monitor the life of your filter with the Filter™ Smart App and replace when recommended.**

**3. To reduce risk of injury, wear cut-resistant gloves. Prior to filter disposal, carefully separate the sensor from the filter according to removal instructions.**

**Dispose of the sensor promptly, in accordance with local electronics disposal guidelines.**

**1. Download the Filter™ Smart App on your mobile phone and create account.**

**2. Enable your phone's Bluetooth® settings, then follow the step-by-step instructions on the app to pair the filter with your phone.**

**3. Remove plastic packaging and paper insert from filter. Leaving cardboard frame intact, remove the sensor by pulling the tab up and away from metal wire.**

### FILTRERE™ SMART APP FEATURES

**Filter Life**

Track the life of your filter based on air flow and usage - not just time.

**Filter Type & Size**

Access information regarding your specific filter type and size.

**Air Quality**

Monitor compatible indoor air quality monitors available in your area.

**Outdoor Air Quality Data**

View short and long term air quality trends.

**Tips & Alerts**

Sign up to receive helpful tips and alerts.

**Change Notifications**

Receive reminders where to purchase replacement filters, and when they are due.

### DO YOU KNOW WHAT'S IN YOUR AIR?

On average, we take 20,000 breaths a day. That's why it's important to choose the right air filter and help keep your home's air cleaner for you and your family.



**HELP GET A CLEANER, FRESHER HOME**

With Filtrete™ Brand Gold + Performance highest standards in air filtration with exclusive 3M technology.

**3M Filtrete™ 16x20x1 2200**

# Filtrete

## SMART AIR FILTER 2200

Microparticle Performance Rating\*

**Tracks Filter Life**

**Alerts When Dirty**

*with Filtrete™ Smart App + Sensor*



### Premium Allergen & Home Pollutants

Best

Better

Good

See back

**Save Energy. Save Money.\*\***



**Tough on Unwanted Particles, Easy on Airflow**

# 16x20x1

CONT: 1 FILTER

**CERTIFIED**  
asthma & allergy friendly



**3M** SGK Sales Order No: **105819915** SGK Service Order No: **402477649**

File Information		Rev. Date: 08/31/2021	
Description: S-EA00-4 P INS 34-8727-5421-2			
File Name: S-EA00-4_P INS_7-5421-2.ai			
Catalog #: S-EA00-4			
IPM Item #: 34-8727-5421-2			
Supersede #: N/A			
Stock #: 70-0091-3528-9			
UPC: 638060850589 / 100%			
Blueline #: BL80139-001			
Requester(s): Deb Wargin/Andy Boyd			

Ink Colors		Ink Colors Back	
Cyan	Magenta	Yellow	Black
Tint Match		Tint Match Back	
3M Red			

**Special Instructions**

Program: Adobe Illustrator CC 2017 Designer: DS  
Common Doc/Art: BL80139-001

If this item contains a bar code symbol it was produced using a bar width adjustment of .002. If this does not meet the needs of the printing process or requires to be used, the printer is responsible to provide the value of the appropriate bar width adjustment while meeting 3M quality requirements.

UPC Check		Proofread/QC	
Initial	Date	Initial	Date
Schwab	MM/DD/YY		
Numerical	Pass	Quality	Date
000000	0000	0000	0000

**PROOF REQUIRED**

Please refer to 3M Corporate General Spec. 205 for details



2626 2nd Street NE, Minneapolis, MN 55418 USA  
612.789.8314 | [vgllaw.com](http://vgllaw.com)

Operator Checked:  OK

Proofreader Checked:  OK

CC Checked:  OK

Text Size	Contents: 0.26" / 6.6 mm	Signal Word: N/A	Hazard: N/A	Other Cautionary Information: N/A
-----------	--------------------------	------------------	-------------	-----------------------------------

4

3

2

1

D

D

C

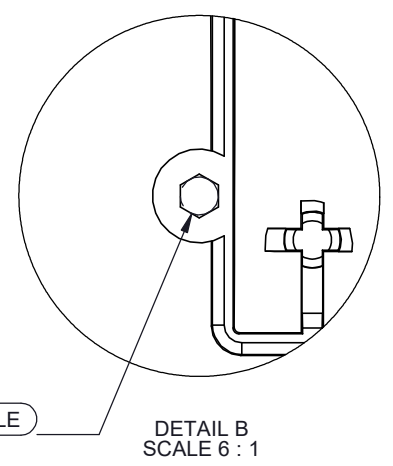
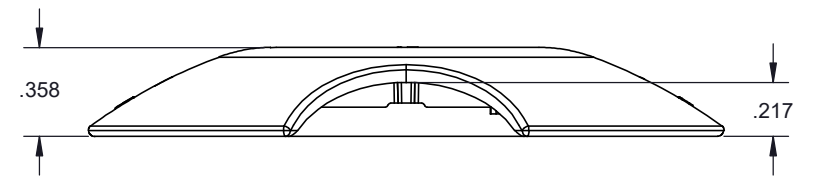
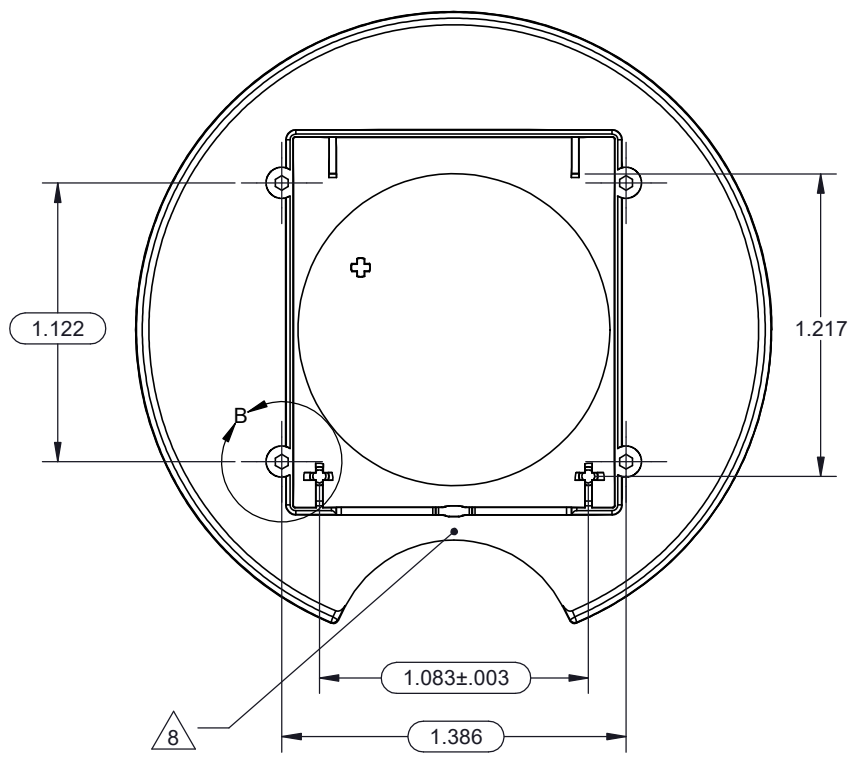
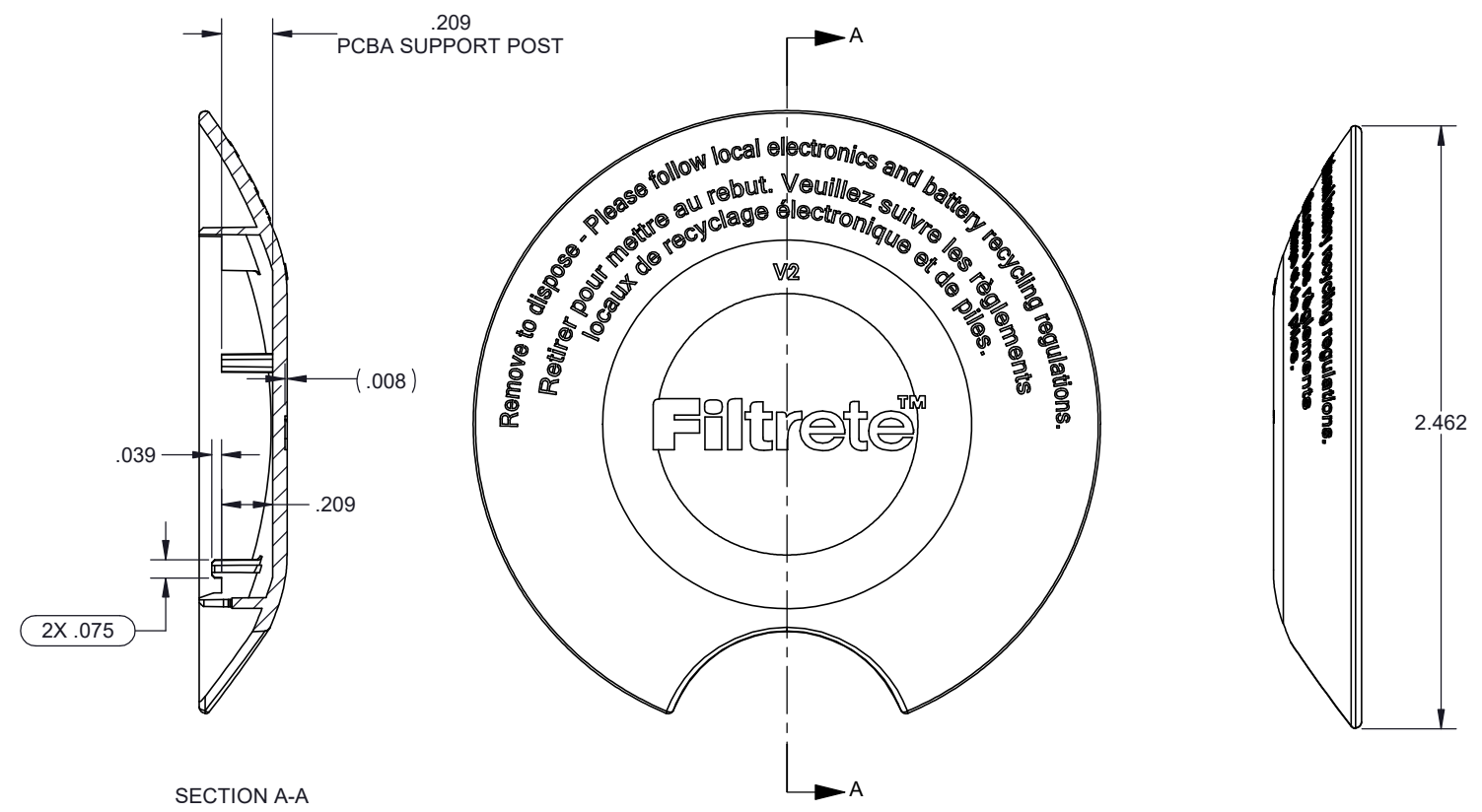
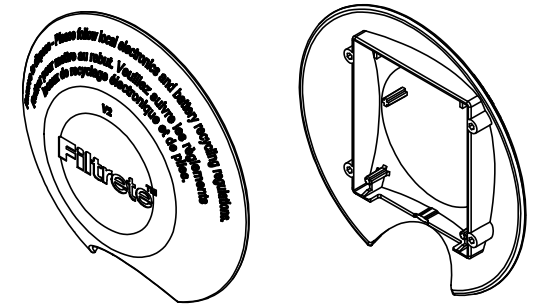
C

B

B

A

A



1. MATERIAL: SEE 3M PRODUCT STANDARD DOCUMENT.
2. CRITICAL INSPECTION DIMENSIONS ARE CIRCLED.
3. MINIMIZE SINK ON COSMETIC SIDE OF THE PART WITH "FILTRERE" GRAPHIC.
4. DEPTH OF FILTRERE LOGO IS 0.008".
5. SURFACE FINISH ON COSMETIC SIDE: MT11003 OR EDM 10 R MAX.
6. MAX FLASH OF .005" IN NON-CRITICAL AREAS.
7. ALL MISSING DIMENSIONS REFER TO SOLID MODEL DATABASE.
8. PART VOLUME: 0.347 CU IN
9. NOTE GATE LOCATION AS INDICATED.

DESIGN REFERENCE		NEXT ASSEMBLY		1	8/18/21	RELEASED FOR QUOTE		BG	
ACCESS CODES				REV	ECO	ISSUE DATE AND DESCRIPTION		DRFT	CHKD
				DRFT	BG	DATE	08/11/21	MPG	DATE
				CHKD	GJ	DATE	08/11/21	APPL	DATE
				3M		3M COPYRIGHT			
				3M Center St. Paul, MN 55144		This document is the copyrighted property of the 3M Company and may not be reproduced without 3M written permission or used for other than 3M authorized purposes.			
				TITLE					
				SMART SENSOR GEN 2 DISC					
DO NOT SCALE DRAWING		SCALE		TOLERANCES EXCEPT AS NOTED					
THIRD ANGLE PROJECTION				INCHES					
INTERPRET PER ASME Y14.5 - 1994				MILLIMETERS					
MAX SURFACE ROUGHNESS				0 ± .1					
125 ✓				.00 ± .02					
☐ ALL SURFACES				.000 ± .005					
☒ MARKED ONLY				.000 ± .002					
				ANGLES ± 1°					
CAGE NUMBER	SIZE	DRAWING NO.		REV.					
	C	78-0003-2557-7		1					
MODEL	DET. LISTS		☐ YES ☒ NO		SHT 1 OF 1				

1 REVISION  
78-0003-2557-7  
DRAWING NUMBER

4

3

2

1

D

D

C

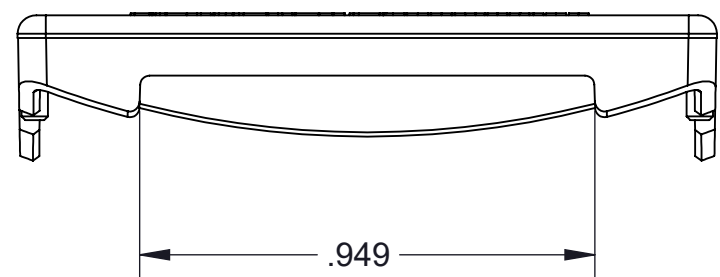
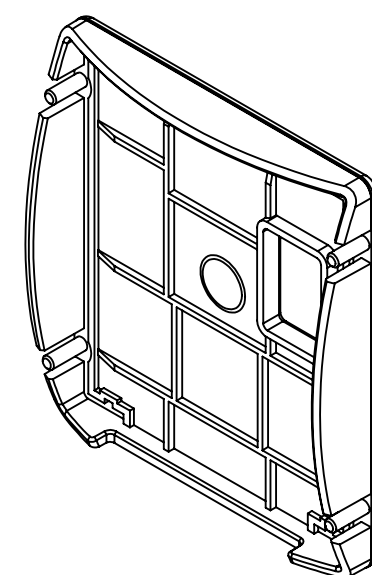
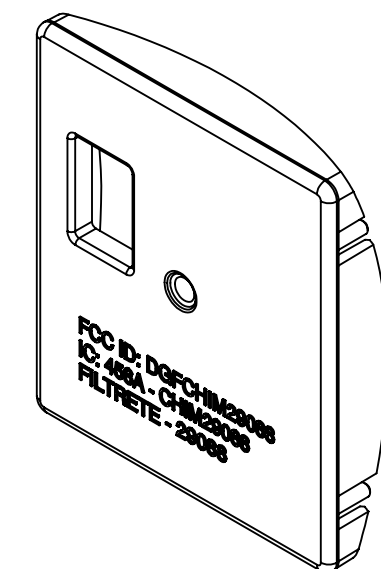
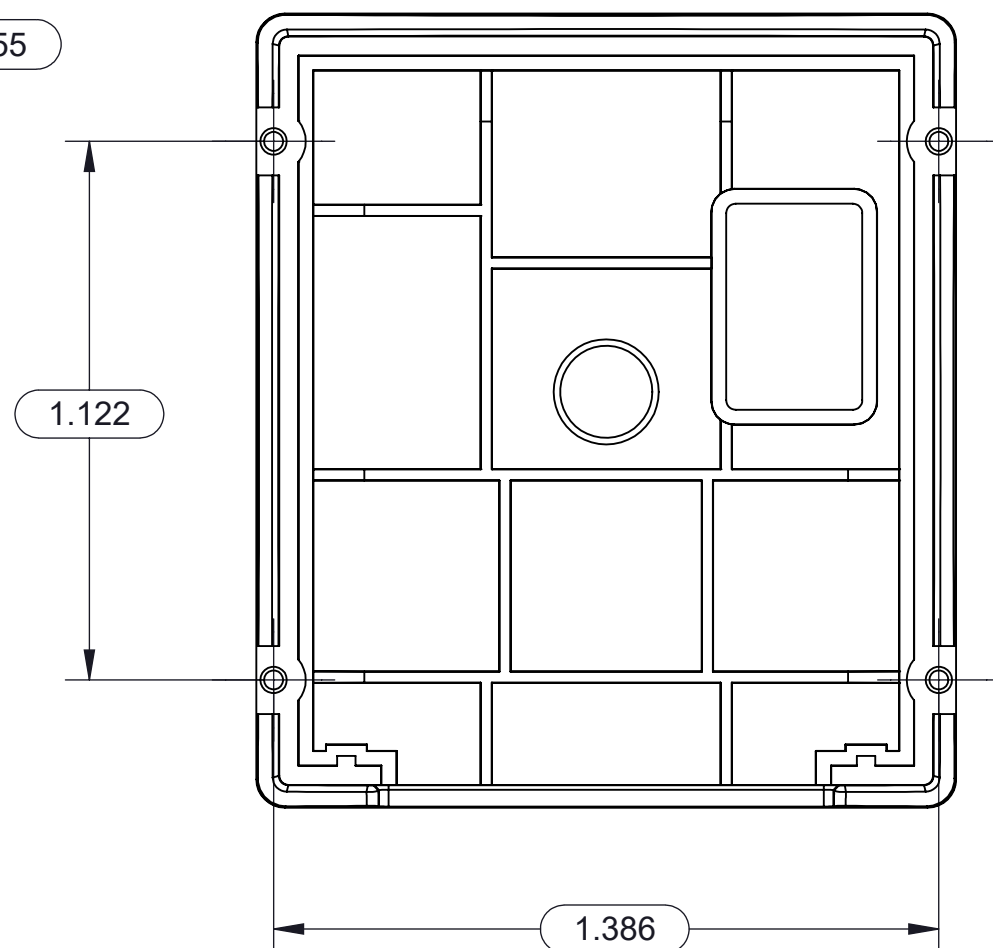
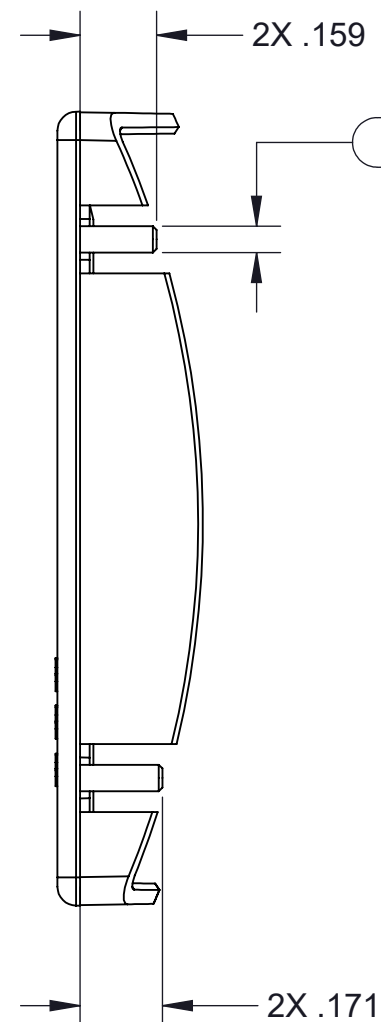
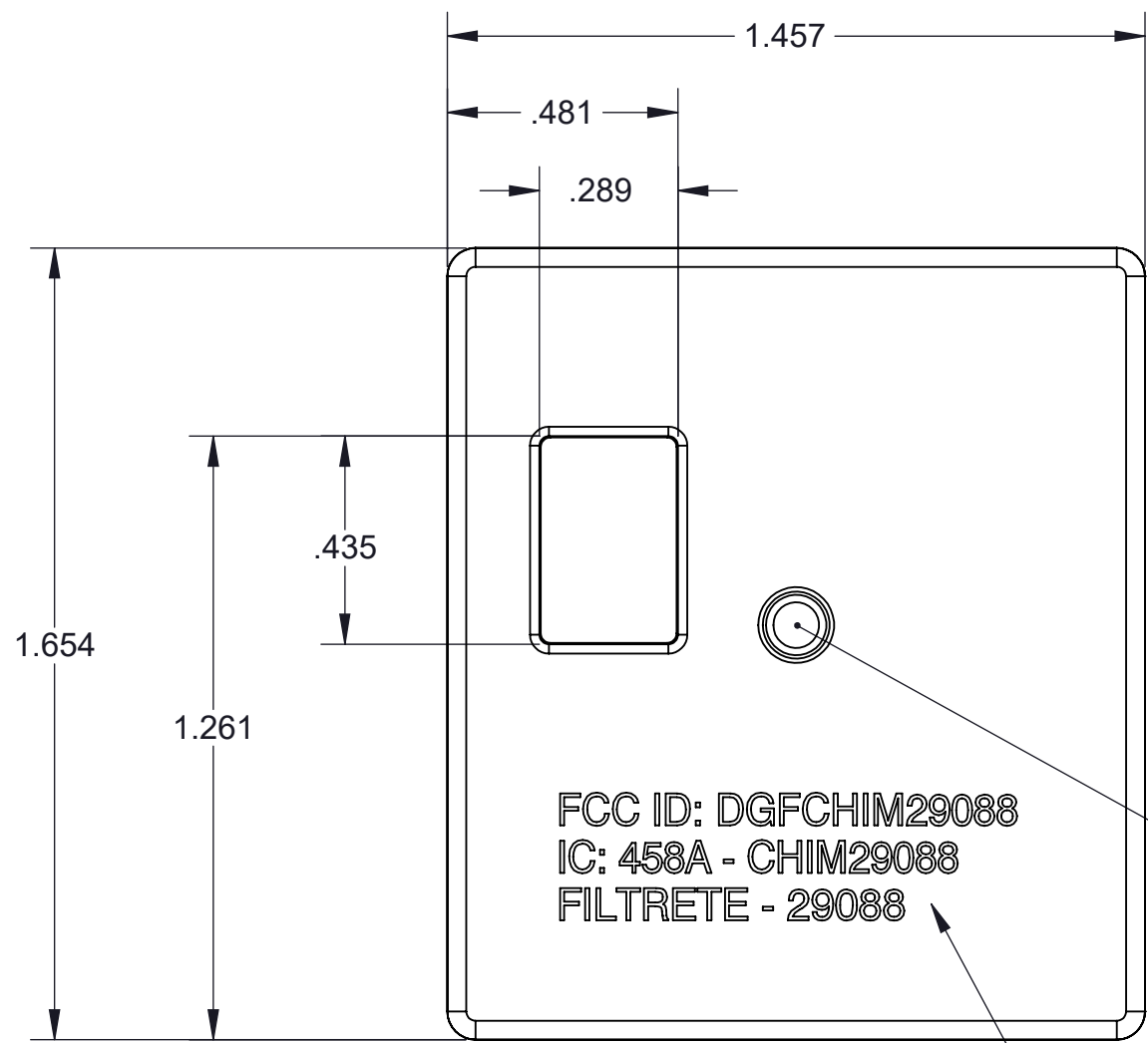
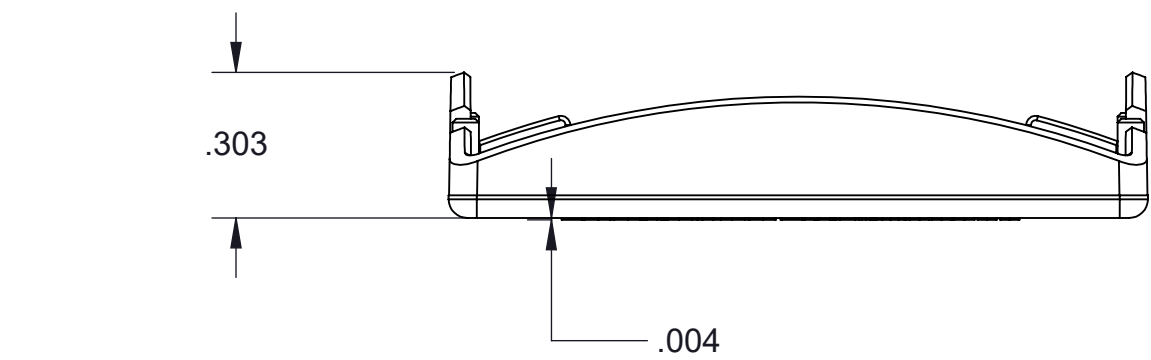
C

B

B

A

A



1. MATERIAL: SEE 3M PRODUCT STANDARD DOCUMENT.
2. CRITICAL INSPECTION DIMENSIONS ARE CIRCLED.
3. MINIMIZE SINK ON COSMETIC SIDE OF THE PART WITH .004" RAISED TEXT.
4. SURFACE FINISH MT11003 OR EDM 10 R MAX ON RAISED TEXT SIDE.
5. MAX FLASH OF .005" IN NON-CRITICAL AREAS.
6. ALL MISSING DIMENSIONS REFER TO SOLID MODEL DATABASE.
7. PART VOLUME: 0.155 CU IN
8. NOTE GATE LOCATION AS INDICATED.

A	10/4/21	UPDATED TEXT, RELEASED FOR PRODUCTION	BG	
1	8/18/21	RELEASED FOR QUOTE	BG	
REV	ECO	ISSUE DATE AND DESCRIPTION	DRFT	CHKD

DESIGN REFERENCE	NEXT ASSEMBLY
ACCESS CODES	
DIVISION	DIVISION CODE
DO NOT SCALE DRAWING	SCALE
THIRD ANGLE PROJECTION	TOLERANCES EXCEPT AS NOTED
INTERPRET PER ASME Y14.5 - 1994	INCHES
MAX SURFACE ROUGHNESS	MILLIMETERS
125 <input type="checkbox"/> ALL SURFACES	0 ± 1
<input checked="" type="checkbox"/> MARKED ONLY	0 ± 0.5
	.00 ± 0.1
	.000 ± 0.05
	ANGLES ± 1°

DRFT	DATE	MFG	DATE
CHKD	DATE	APPVL	DATE
		© 3M COPYRIGHT This document is the copyrighted property of the 3M Company and may not be reproduced without 3M written permission or used for other than 3M authorized purposes.	
TITLE			
SMART SENSOR GEN 2 HOUSING			
CAGE NUMBER	SIZE	DRAWING NO.	REV.
	C	78-0003-2558-5	A
MODEL	DET. LISTS	<input type="checkbox"/> YES <input checked="" type="checkbox"/> NO	SHT 1 OF 1

4

3

2

1

78-0003-2558-5  
DRAWING NUMBER

A  
REVISION